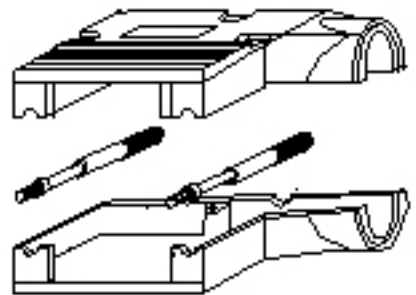
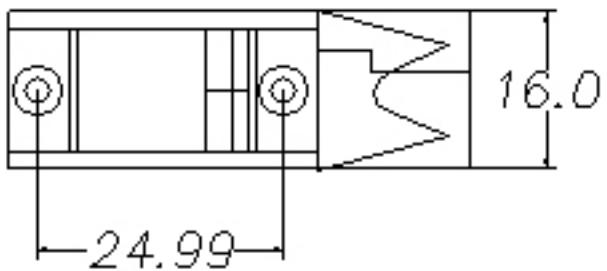
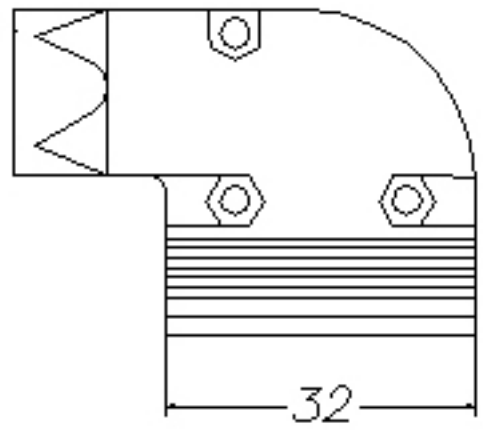


unit: MM ± 0.5



For D-sub

A: for cable dia. 6, 7.5, 9, 11

DHAR-N1T-09-LF  
LEADFREE

RoHS Compliant

PART NO. DHAR-N1T-09		CHECKED BY CY		TOLERANCES ARE .X ± 0.2 .XX ± 0.1 .XXX ± AWG	DESCRIP TION:			
DWG NO. DHAR-N1T-09		DRAWING BY						
FILE NO.		PROJECTION		AREA	REVISIONS	HK	DATE	
UNIT / mm	SCALE 1:1							