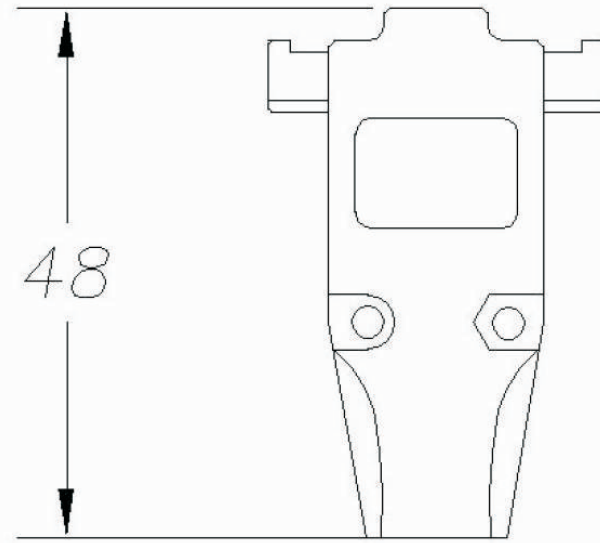
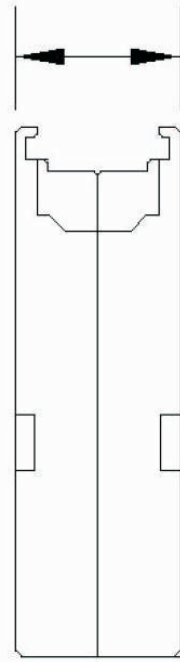
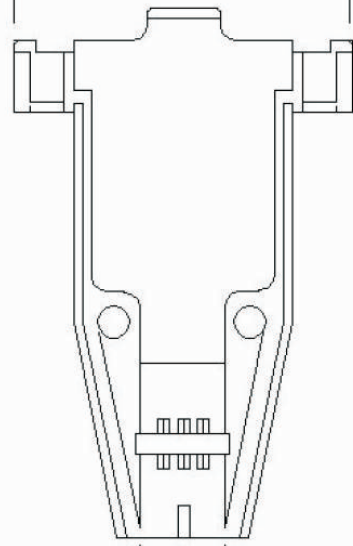


31.6

15.6

UNIT: MM ± 0.5



48

A for cable Dia.



24.99

A: 4.5, 5.5, 6, 7, 8, 9.5

All Connectors

www.allconnectors.eu | info@allconnectors.eu
Tel. +49 (0)711 / 358 110 20 | Fax +49 (0)711 / 358 110 25

PART NO. DHA-N1FG-09

DWG NO. DHA-N1FG-09

FILE NO.

UNIT / mm

SCALE 1:1

CHECKED BY CY

DRAWING BY

PROJECTION



TOLERANCES ARE

.X ± 0.2
.XX ±
.XXX ±
AWG

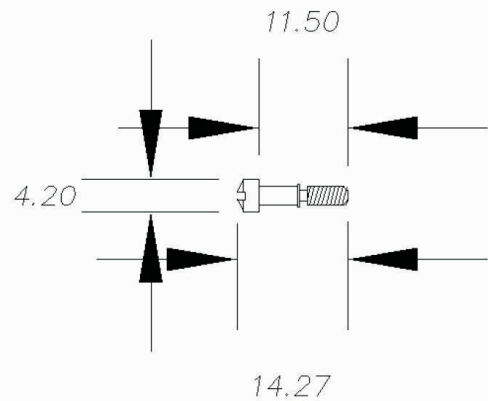
DESCRIPTION:

AREA

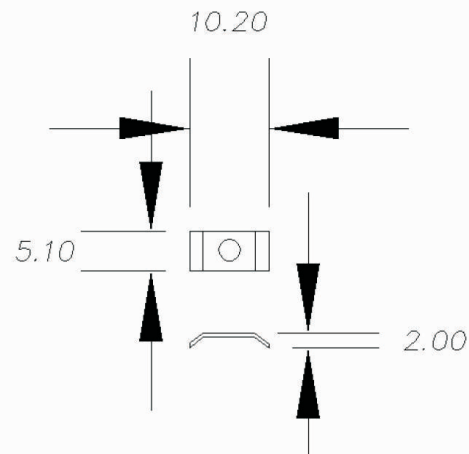
REVISIONS

HK

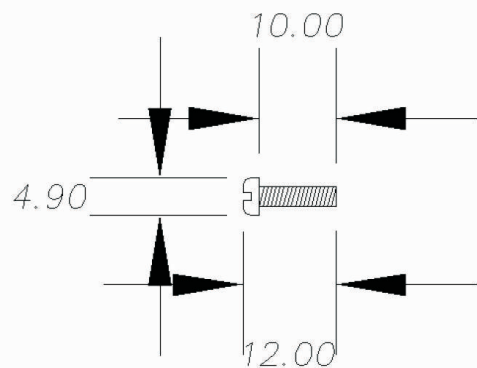
DATE



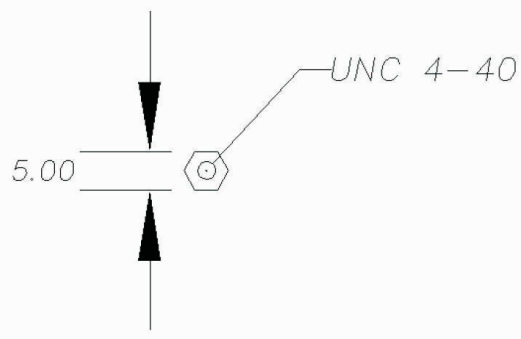
screw #4-11.5-0.5 UNC 4-40



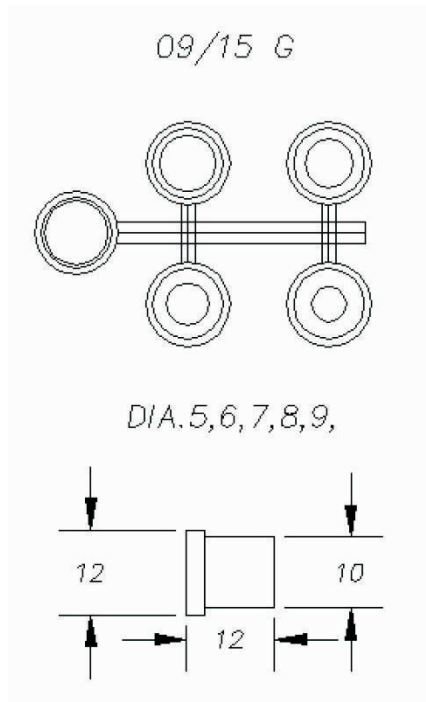
square washer for shoulder screw



screw #4-10 UNC 4-40



NUT



DHA-N1FG-09-LF
LEADFREE

RoHS Compliant

All Connectors

www.allconnectors.eu | info@allconnectors.eu
Tel. +49 (0)711 / 358 110 20 | Fax +49 (0)711 / 358 110 25

PART NO. DHA-N1FG-09

DWG NO. DHA-N1FG-09

FILE NO.

UNIT / mm

SCALE 1:1

CHECKED BY CY

DRAWING BY

PROJECTION



TOLERANCES ARE

.X ± 0.2
.XX ±
.XXX ±
AWG

DESCRIPTION:

AREA

REVISIONS

HK

DATE