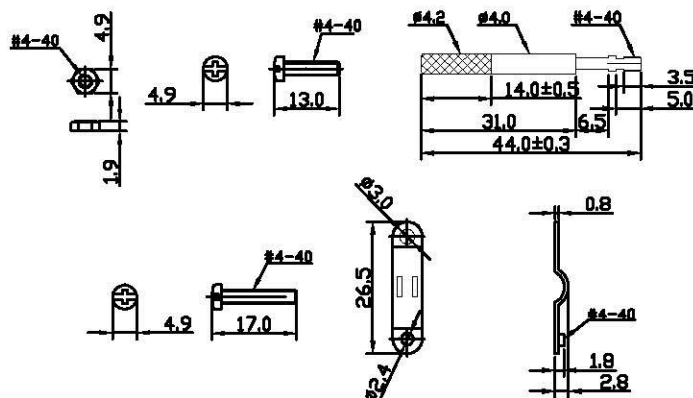
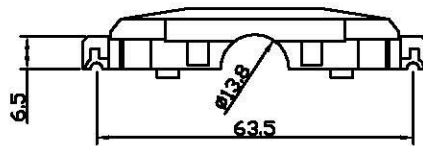
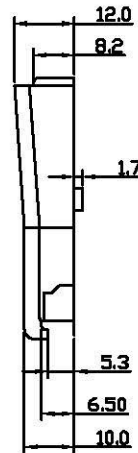
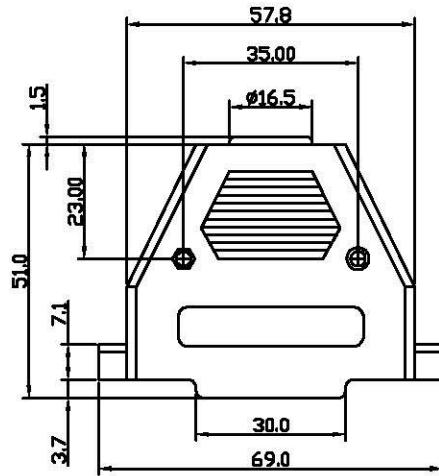


THE INFORMATION CONTAINED IN THIS DOCUMENT IS PROPRIETARY TO Y-S ELECTRONIC, ANY REPRODUCTION IN PART OR WHOLE WITHOUT PRIOR WRITTEN APPROVAL OR AUTHORIZATION OF Y-S ELECTRONIC IS STRICTLY PROHIBITED.

RoHS COMPLIANT

REVISIONS				
REV	ECN NO.	DESCRIPTION	APPROVED BY	DATE



Long Screw type
37pin type only

Product Specification

Material

Hood :ABS thermoplastic UL94V-0 rates
UL94V-0 rates
Screwlock :Steel, 100u' min Tin Plated.

Ordering Information

158 - $\frac{XX}{a} \frac{X}{b} \frac{X}{c} \frac{X}{d} \frac{X}{e}$

- a. No. of Pins
- b. Shell Type
 - 0: Plastic
 - 1: Nickel plate metalized
 - 2: Metal Hood(CDie Cast)
- c. Screw Type
 - 1: Short screws with #4-40 unc
 - 2: Long screws with #4-40 unc
 - 3: Short screws with M3
 - 4: Long screws with M3
- d. Insulator Color
 - 1: Black
 - 2: Gray
 - 3: Beige
 - 4: Platinum
- e. Cable Entry
 - 1: 180°
 - 2: 90°
 - 3: 45°

DO NOT SCALE DRAWING

DIMENSIONS: <input type="checkbox"/> MM (INCH) <input type="checkbox"/> INCH (mm) <input checked="" type="checkbox"/> MM ONLY	CAD GENERATED DRAWING, DO NOT MANUALLY UPDATE DRAWN BY AND DATE JAY ZHANG 04-09-08		
		www.allconnectors.de Tel: 0640 711 300693 A3/14 Hilderstraße 14 Germany info@allconnectors.de Fax: 0640 711 300694 kempner@allconnectors.de	
UNLESS OTHERWISE SPECIFIED, GENERAL TOLERANCE: DECIMALS X: ±0.38 [0.015] .X: ±0.25 [0.010] .XX: ±0.13 [0.005]	CHECKED BY AND DATE JUSTIN XING 04-09-08 APPROVED BY AND DATE MICHAEL HUANG 04-09-08 THIRD ANGLE PROJECTION	TITLE 158 SERIES D-SUB COVER	
		MATERIAL FINISH	
SCALE: 1 : 1		SIZE: A3	
FILE NO.:		SHEET 8 OF 8	

DRAWING NO. 158-37X2XX		REV A
---------------------------	--	----------