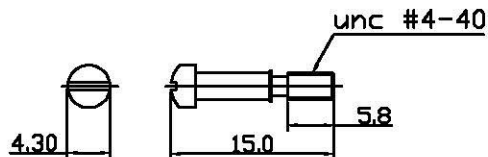
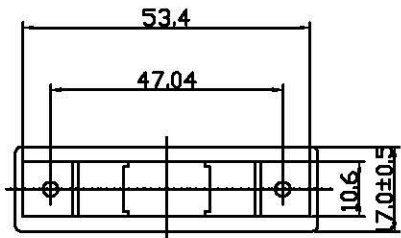


THE INFORMATION CONTAINED IN THIS DOCUMENT IS PROPRIETARY TO Y-S ELECTRONIC, ANY REPRODUCTION IN PART OR WHOLE WITHOUT PRIOR WRITTEN APPROVAL OR AUTHORIZATION OF Y-S ELECTRONIC IS STRICTLY PROHIBITED.

RoHS COMPLIANT

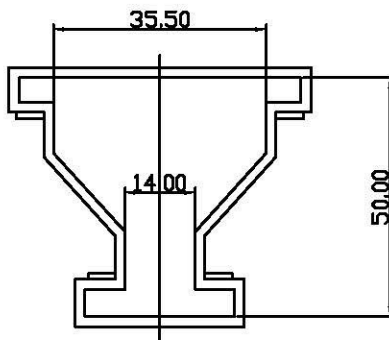
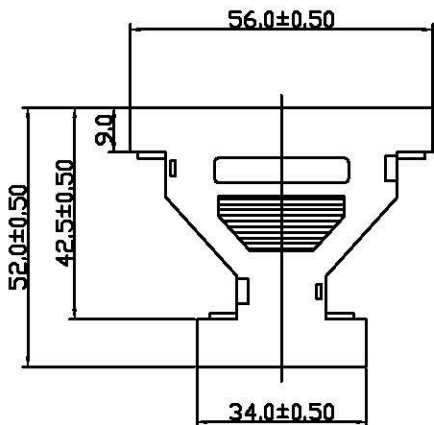
REVISIONS				
REV	ECN NO.	DESCRIPTION	APPROVED BY	DATE



Product Specification

Material

Hood :ABS thermoplastic UL94V-0 rates
 UL94V-0 rates
 Screwlock :Brass, 100u" min Nickel Plated.

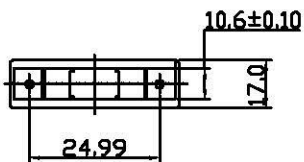


Ordering Information

157 - $\frac{XX}{a} \frac{X}{b} \frac{XX}{c} \frac{X}{d} \frac{X}{e} \frac{X}{f}$

- a. No. DF Pins (Top)
- b. Contact Type (Top)
 - 1: Male
 - 2: Female
- c. No. DF Pins (Bottom)
- d. Contact Type (Bottom)
 - 1: Male
 - 2: Female
- e. Shell Type
 - 1: Plastic
 - 2: Nickel plate metalized
- f. Nut Type
 - 1:with Nut
 - 2:w/o Nut

DO NOT SCALE DRAWING



9pin to 25pin type

Note:
 Male to Male type not need add nut.

DIMENSIONS: <input type="checkbox"/> MM [INCH] <input type="checkbox"/> INCH [mm] <input checked="" type="checkbox"/> MM ONLY	CAD GENERATED DRAWING, DO NOT MANUALLY UPDATE		
	UNLESS OTHERWISE SPECIFIED, GENERAL TOLERANCE: DECIMALS ANGLES .X ±0.38 [0.015] X° ±3° .X ±0.25 [0.010] .X° ±1.0° .XX ±0.13 [0.005]		
MATERIAL	APPROVED BY AND DATE KING CHIU 07-03-06	THIRD ANGLE PROJECTION 	
FINISH	SCALE: NONE SIZE: A3	DRAWING NO. 157-09X25XX	REV A
FILE NO:		SHEET 4 OF 6	