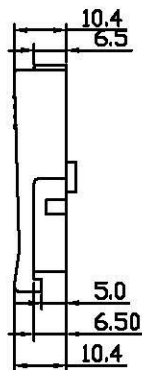
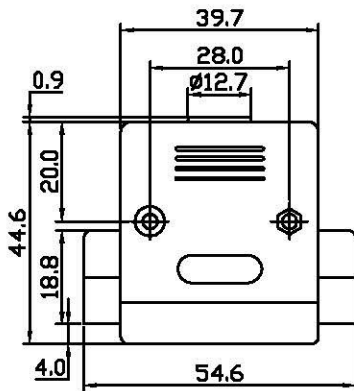


THE INFORMATION CONTAINED IN THIS DOCUMENT IS PROPRIETARY TO Y-S ELECTRONIC, ANY REPRODUCTION IN PART OR WHOLE WITHOUT PRIOR WRITTEN APPROVAL OR AUTHORIZATION OF Y-S ELECTRONIC IS STRICTLY PROHIBITED.

RoHS COMPLIANT

REVISIONS				
REV	ECN NO.	DESCRIPTION	APPROVED BY	DATE



Product Specification

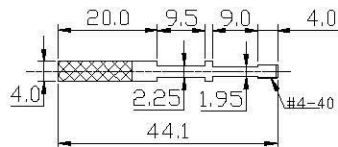
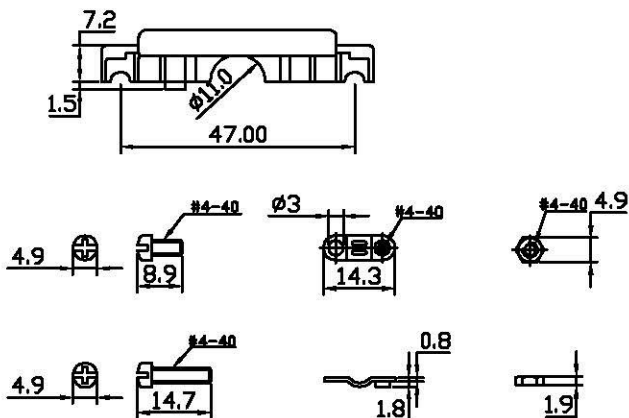
Material

Hood :ABS thermoplastic UL94V-0 rates
 UL94V-0 rates
 Screwlock :Steel, 100u' min Nickel Plated.

Ordering Information

156 - $\frac{XX}{a} \frac{X}{b} \frac{X}{c} \frac{X}{d}$

- a. No. Of Pins
- b. Shell Type
 - 0: Plastic
 - 1: Nickel plate metallized
- c. Screw Type
 - 1: Short screws with #4-40 unc
 - 2: Long screws with #4-40 unc
 - 3: Short screws with M3
 - 4: Long screws with M3
- d. Insulator Color
 - 1: Black
 - 2: Gray
 - 3: Platinum



Long Screw type
 25pin type only

DO NOT SCALE DRAWING

DIMENSIONS: <input type="checkbox"/> MM [INCH] <input type="checkbox"/> INCH [mm] <input checked="" type="checkbox"/> MM ONLY	CAD GENERATED DRAWING, DO NOT MANUALLY UPDATE		
	UNLESS OTHERWISE SPECIFIED, GENERAL TOLERANCE: DECIMALS ANGLES .X: ±0.38 [0.015] X°: ±3° .X: ±0.25 [0.010] .X°: ±1.0° .XX: ±0.13 [0.005]	DRAWN BY AND DATE JUSTIN XING 07-03-06	CHECKED BY AND DATE JUSTIN XING 07-03-06
MATERIAL	APPROVED BY AND DATE KING CHIU 07-03-06	THIRD ANGLE PROJECTION 	DRAWING NO. 156-25X2X
FINISH	SCALE: 1 : 1	SIZE: A3	FILE NO.: SHEET 8 OF 10

www.allconnectors.de info@allconnectors.de
 Tel: 0049 711 7005300 Fax: 0049 711 7005201
 20764 Finkenwerder, Germany Kollmerstraße, 95