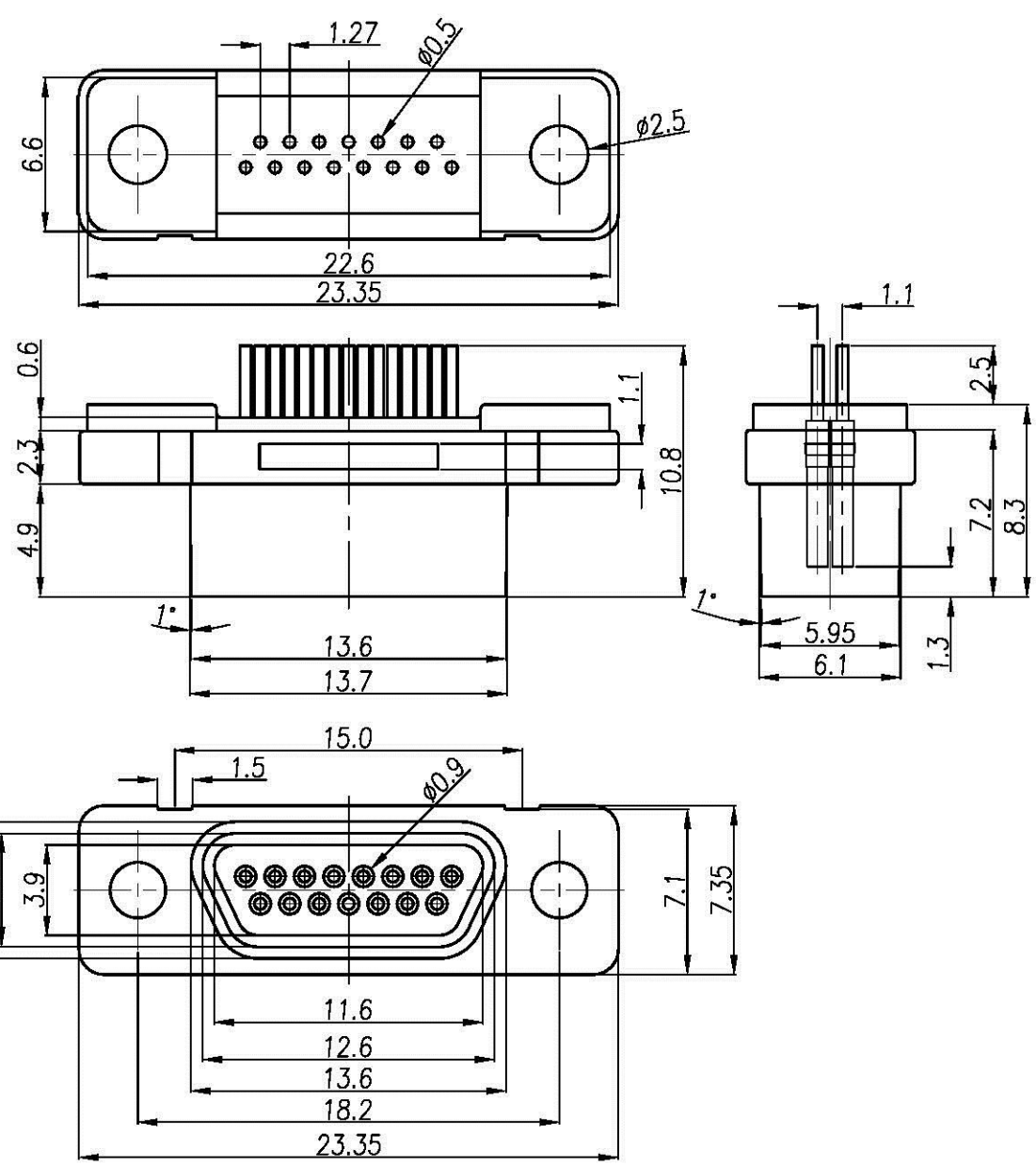


1 2 3 4 5 6 7 8 9 0

J  
I  
H  
G  
F  
E  
D  
C  
B  
A



**備註 / NOTE:**

**1 材質 / MATERIAL:**

- 1-1 鐵殼 / PLASTIC SHELL: 鋁鎂合金 / ALLOY OF ALUMINUM AND ZINC
- 1-2 針 / PIN: 磷青銅 / PHOSPHOR BRONZE AND BRASS
- 1-3 環氧樹脂灌注型 / EPOXY POTTING

**2 電鍍 / PLATING:**

- 1-1 鐵殼 / PLASTIC SHELL: 鍍鎳 60u" / NICKEL 60u"
- 1-2 針 / PIN: 鍍金 15u" / Gold Flash 15u"

**All Connectors**

www.allconnectors.de  
Tel.: 0349 711 700503  
70794 Filzschwandt Germany

info@allconnectors.de  
Fax: 0049 711 7005504  
Kemptenstr. 25

PART NO. MID-SS-15

DWG NO. MID-SS-15

FILE NO.

UNIT / mm

SCALE 1:1

CHECKED BY CY

DRAWING BY

PROJECTION

TOLERANCES ARE

.X ± 0.1  
.XX ± 0.05  
.XXX ±  
AWG

DESCRIPTION:

**MINI D-SUB 母座**

AREA

REVISIONS

HK

DATE