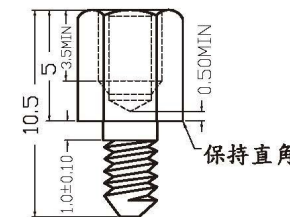
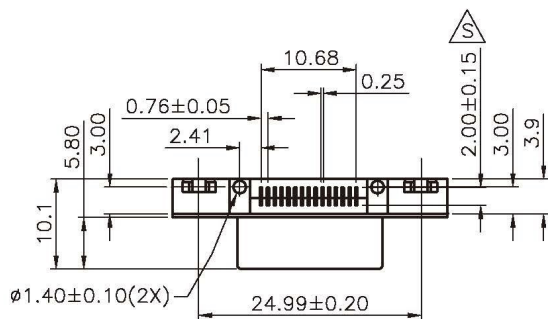
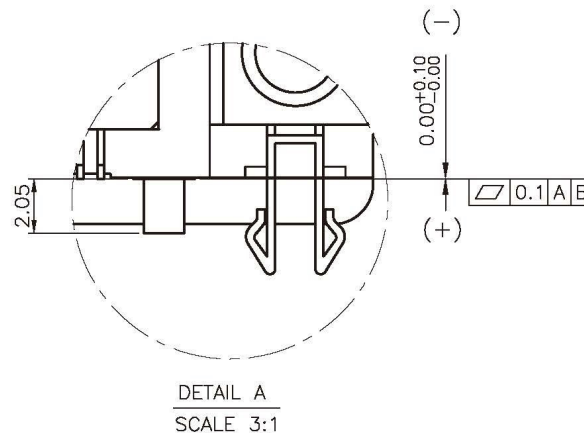
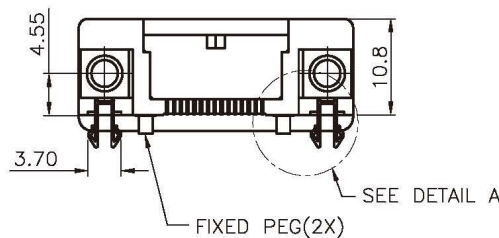


PIN NUMBER: 6 11 1 7 12 2 8 13 3 9 14 4 10 15 5

RECOMMENDED PCB LAYOUT
TOLERANCE: ±0.05(TOP VIEW)

NOTES:

- MATERIAL:
HOUSING:HIGH TEMP THERMOPLASTIC,
UL94-0,COLOR:BLACK OR BLUE
TERMINAL:COPPER ALLOY
METAL SHELL:SPCC
BOARD LOCK & NUT:COPPER ALLOY
- PLATING:
TERMINAL:
CONTACT AREA:SELECTIVE GOLD PLATING
SOLDER TAIL:TIN(Sn),THICKNESS=100 MICROINCH MIN.(2.54 MICROMETER MIN.)
UNDER PLATE:NICKEL(Ni),THICKNESS=50 MICROINCH MIN.(1.27 MICROMETER MIN.)
METAL SHELL:
NICKEL(Ni),THICKNESS=80 MICROINCH MIN.(2.032 MICROMETER MIN.)
UNDER PLATE:COPPER(Cu),THICKNESS=40 MICROINCH MIN.(1.016 MICROMETER MIN.)
BOARD LOCK:TIN(Sn),THICKNESS=50 MICROINCH MIN.(1.27 MICROMETER MIN.)
NUT:NICKEL(Ni),THICKNESS=50 MICROINCH MIN.(1.27 MICROMETER MIN.)
- RECOMMENDED PCB THICKNESS:1.60±0.05mm
- LEAD FREE & RoHS COMPLIANT PRODUCT



外 4#40 内 4#40

All Connectors

www.allconnectors.de info@allconnectors.de
Tel.: 0049 711 7009503 Fax: 0049 711 7009504
70794 Filderstadt - Germany Kettenerstr. 25

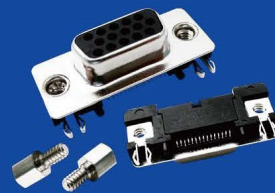
RoHS Compliant

DRAWING BY CY
CHECKED BY GENIUS
UNIT/ mm SCALE 1:1
DATE
SIZE A4

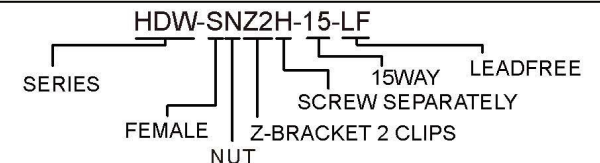
TOLERANCES ARE

X ±
.X ± 0.30
.XX ± 0.20
.XXX ± 0.10
ANG ±

P PROJECTION



ORDER INFORMATION



DESCRIPTION: D SUBMINIATURE, R/A, SURFACE-MOUNT
LOW PROFILE 15 POSITION, FEMALE