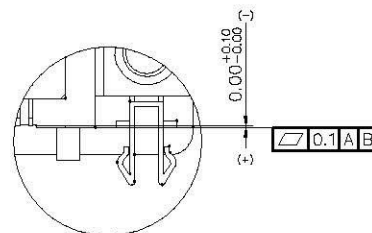
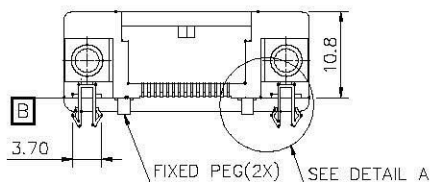
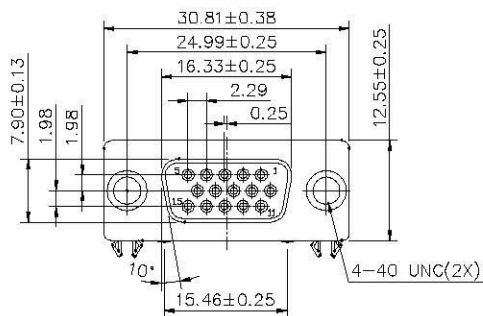


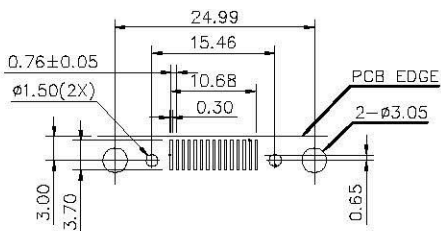
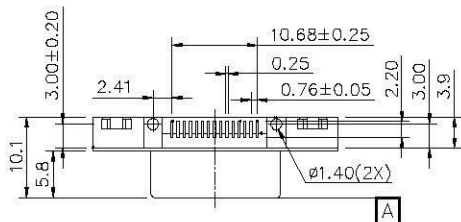
THE INFORMATION CONTAINED IN THIS DOCUMENT IS PROPRIETARY TO Y-S ELECTRONIC, ANY REPRODUCTION IN PART OR WHOLE WITHOUT PRIOR WRITTEN APPROVAL OR AUTHORIZATION OF Y-S ELECTRONIC IS STRICTLY PROHIBITED.

RoHS COMPLIANT

REVISIONS				
REV	ECN NO.	DESCRIPTION	APPROVED BY	DATE



DETAIL A  
SCALE: 2:1  
Snap-in boardlock



PIN NUMBER:  
6 11 1 7 12 2 8 13 3 9 14 4 10 15 5  
15 PIN RECOMMENDED PCB LAYOUT

Product Specification

Material

Insulator :Glass-Filled Thermoplastic PBT,UL94V-0 rates  
Contact :Brass or Phosphor Bronze  
Shell : Steel, 100u" Tin Over 50u" min Copper  
Clinch Nut: Brass, 100u" min Nickel Plated.  
Boardlock :Brass, 100u" min Tin Plated.

Electrical

Contact Resistance :30 milliohms  
Max at 1 AMP DC.  
Insulation Resistance :1000  
megohms at 500 VDC  
Dielectric Withstanding Voltage :  
1000 VAC/rms 60Hz for 1 minute  
Current Rating :3 AMP  
Voltage Rating :250 VAC/rms 60Hz

Ordering Information

168 -  $\frac{XX}{a} \frac{X}{b} \frac{X}{c} \frac{X}{d} \frac{X}{e} \frac{X}{f} \frac{X}{g}$

- a. No. Of Plhs  
15 15 positions
- k. Contact Type  
1: Male  
2: Female
- c. Contact Plating  
0: gold flash selective gold  
1: 15u" selective gold on contact  
2: 30u" selective gold on contact
- d. Shell Plating  
1: Nickel(standard)  
2: Tin  
3: Chromated
- e. Insulator Color  
1: Blue  
2: Black (Standard)
- f. Rivetting Options:  
1: Snap-in boardlock  
2: Press-in boardlock
- g. Flange Mounting Option  
1: #4-40 threaded hole with #4-40 unc screwlock installed  
2: #4-40 threaded hole with #4-40 unc screwlock bulk-packed  
3: #4-40 threaded hole

DO NOT SCALE DRAWING

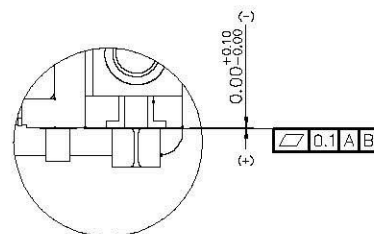
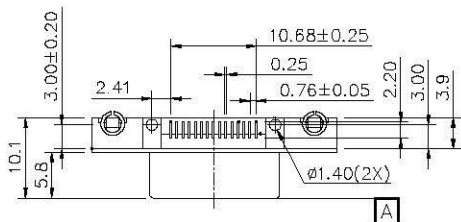
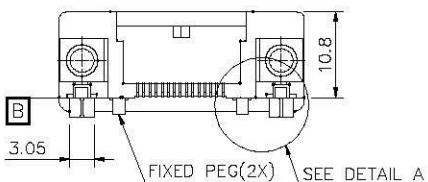
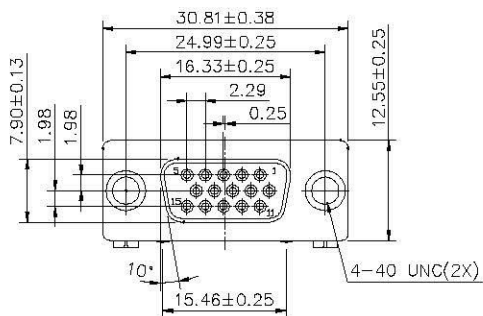
DIMENSIONS: <input type="checkbox"/> MM (INCH) <input type="checkbox"/> INCH (mm) <input checked="" type="checkbox"/> MM ONLY	CAD GENERATED DRAWING, DO NOT MANUALLY UPDATE		
	UNLESS OTHERWISE SPECIFIED, GENERAL TOLERANCE: DECIMALS ANGLES .X ±0.38 [0.015] X° ±3° .X ±0.25 [0.010] .X° ±1.0° .XX ±0.13 [0.005]	DRAWN BY AND DATE JACK HONG 24-04-08	CHECKED BY AND DATE JUSTIN XING 24-04-08
MATERIAL FINISH	APPROVED BY AND DATE MICHAEL HUANG 24-04-08	THIRD ANGLE PROJECTION 	DRAWING NO. 168-152XXX1X
SCALE: NONE	SIZE: A3	FILE NO.:	REV A SHEET 1 OF 1

www.allconnectors.com info@allconnectors.com  
TEL: 0049 713 7099202 FAX: 0049 713 7099204  
70794 Filderstadt - Germany Kellenbergstr. 25

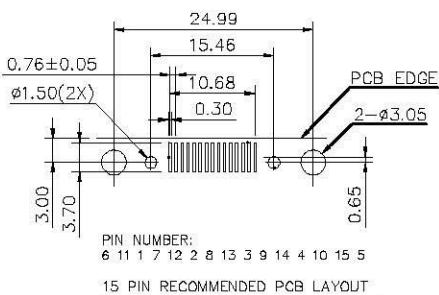
THE INFORMATION CONTAINED IN THIS DOCUMENT IS PROPRIETARY TO Y-S ELECTRONIC, ANY REPRODUCTION IN PART OR WHOLE WITHOUT PRIOR WRITTEN APPROVAL OR AUTHORIZATION OF Y-S ELECTRONIC IS STRICTLY PROHIBITED.

RoHS COMPLIANT

REVISIONS				
REV	ECN NO.	DESCRIPTION	APPROVED BY	DATE



DETAIL A  
SCALE 2:1  
Snap-in boardlock



Product Specification

Material

Insulator :Glass-Filled Thermoplastic PBT,UL94V-0 rates  
Contact :Brass or Phosphor Bronze  
Shell : Steel, 100u" Tin Over 50u" min Copper  
Clinch Nut: Brass, 100u" min Nickel Plated.  
Boardlock :Brass, 100u" min Tin Plated.

Electrical

Contact Resistance :30 milliohms  
Max at 1 AMP DC.  
Insulation Resistance :1000  
megohms at 500 VDC  
Dielectric Withstanding Voltage :  
1000 VAC/rms 60Hz for 1 minute  
Current Rating :3 AMP  
Voltage Rating :250 VAC/rms 60Hz

Ordering Information

168 -  $\frac{XX}{a} \frac{X}{b} \frac{X}{c} \frac{X}{d} \frac{X}{e} \frac{X}{f} \frac{X}{g}$

- a. No. Of Pls  
15 15 positions
- k. Contact Type  
1 Male  
2 Female
- c. Contact Plating  
0 gold flash selective gold  
1 15u" selective gold on contact  
2 30u" selective gold on contact
- d. Shell Plating  
1 Nickel(standard)  
2 Tin  
3 Chromated
- e. Insulator Color  
1 Blue  
2 Black (Standard)
- f. Rivetting Options:  
1 Snap-in boardlock  
2 Press-in boardlock
- g. Flange Mounting Option  
1: #4-40 threaded hole with #4-40 unc screwlock installed  
2: #4-40 threaded hole with #4-40 unc screwlock bulk-packed  
3: #4-40 threaded hole

DO NOT SCALE DRAWING

DIMENSIONS: <input type="checkbox"/> MM (INCH) <input type="checkbox"/> INCH (mm) <input checked="" type="checkbox"/> MM ONLY	CAD GENERATED DRAWING, DO NOT MANUALLY UPDATE DRAWN BY AND DATE JACK HONG 24-04-08		
		www.allconnectors.de +49 4349 213 44900 0190 +49 4349 213 44900 info@allconnectors.de +49 4349 213 44900 kontakt@ac.de	
UNLESS OTHERWISE SPECIFIED, GENERAL TOLERANCE: DECIMALS ANGLES .X ±0.38 [0.015] X° ±3° .X ±0.25 [0.010] .X° ±1.0° .XX ±0.13 [0.005]		CHECKED BY AND DATE JUSTIN XING 24-04-08 APPROVED BY AND DATE MICHAEL HUANG 24-04-08 THIRD ANGLE PROJECTION 	
MATERIAL FINISH		TITLE 168 SERIES D-SUB H.D. SMT CONNECTOR DRAWING NO. 168-152XXX2X REV A FILE NO. SHEET 1 OF 1	