

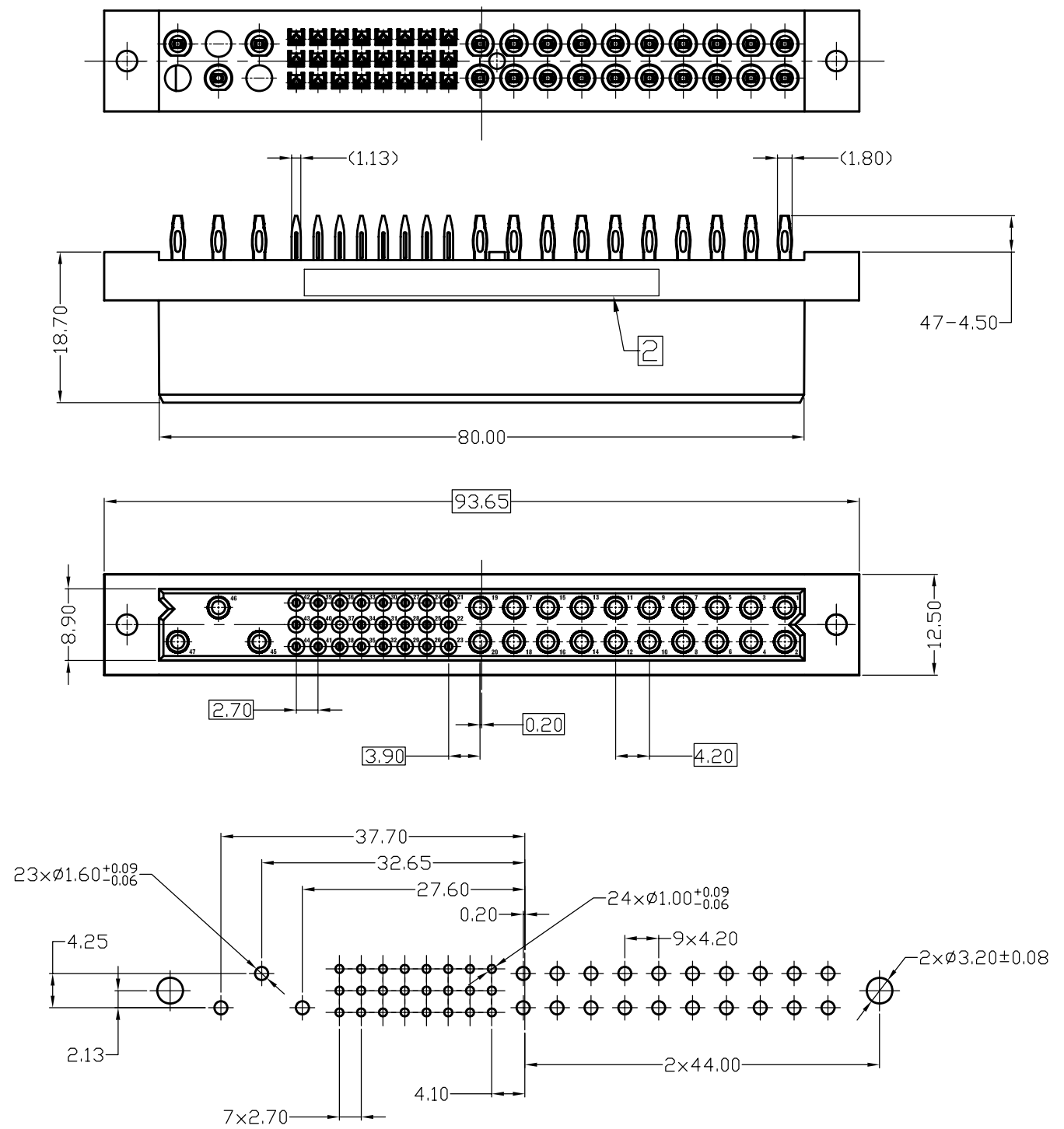
Notes:

1. Materials and finish:
 - (1) High-Temperature Thermoplastic 30% GF, UL94V-0
Color: Black
 - (2) Power and Signal Pins: Copper alloy.
2. Mark Is : Part No(R-250F47****) And Date Code (Year** & Week **)
3. Electrical Characteristics
 - Electrical Feature
 - Insulation Resistance ----- $\geq 10^{10}$ ohms
 - Initial Contact Resistance
 - Power Contact ----- 0.7 Milliohms max
 - Signal Contact ----- 4.0 Milliohms max
 - Voltage Proof
 - Power 1 thru 20 ----- 1500 Vrms
 - Power 45,46,47 ----- 3000 Vrms
 - Power 21 thru 44 ----- 1000 Vrms
 - Current Rating
 - DC Output Power 1 thru 20 ----- 16 Amps
 - Input Power 45,46,47 ----- 23 Amps
 - Size 22 Signal Contacts ----- 2 Amps
 - Minimum Creepage Distance
 - Power 47 to 45 ----- 3.2 (.126)
 - Power 46 to 45 ----- 3.2 (.126)
 - Power 47 to Signal ----- 6.4 (.252)
 - Power 46 to Signal ----- 6.4 (.252)
 - Power 47 to 46 ----- 2.5 (.098)
 - Power 45 to Signal ----- 2.0 (.079)
4. RoHS Directive Compliance.
5. Press-fit Part of Contacts Are Patent Protected.
6. Finish: plating gold over nickel on all area.
7. Finish: plating gold on mating area. Matte tin in tail area, All over nickel on entire contact.

P/N:

R - 2 5 0 F 4 7 0 * 1 N

| CONTACT PLATING | | |
|-----------------|---------------------|--------|
| Code | Plating Description | Finish |
| A | LEVEL 2 | 6 |
| B | LEVEL 1 | 6 |
| F | LEVEL 3 | 6 |
| G | LEVEL 2 | 7 |
| H | LEVEL 1 | 7 |



RECOMMENDED PC BOARD REQUIREMENTS
(COMPONENT SIDE OF BOARD SHOWN)

| DESIGN UNITS | | NAME: CPCI 47P FEMALE ASSEMBLY (PRESS TYPE) | All Connectors | |
|--|-------------|---|-----------------------|---|
| mm | INCH | | TITLE: CUSTOMER DWG. | C |
| GENERAL TOLERANCES: (UNLESS SPECIFIED) | | PART NO: R-250F470*1N | DWG. NO: 010-0000-411 | |
| 4 PLACE | \pm ** | APPD: 蘇侯安 6/10'09 | SCALE: 1 / 1 | |
| 3 PLACE | \pm 0.10 | CHKD: 楊海文 6/10'09 | SHEET: 1 / 2 | |
| 2 PLACE | \pm 0.20 | DRAWN: 廖小瓊 6/10'09 | REV.: B | |
| 1 PLACE | \pm 0.30 | | | |
| ANGULAR: | X° \pm 1° | | | |

| REV. | ECN. NO. | DESCRIPTION | DATE | DRAWN | APPD |
|------|----------|--------------|---------|-------|------|
| B | *** | UPDATED NOTE | 6/10'09 | LIA | ALAN |

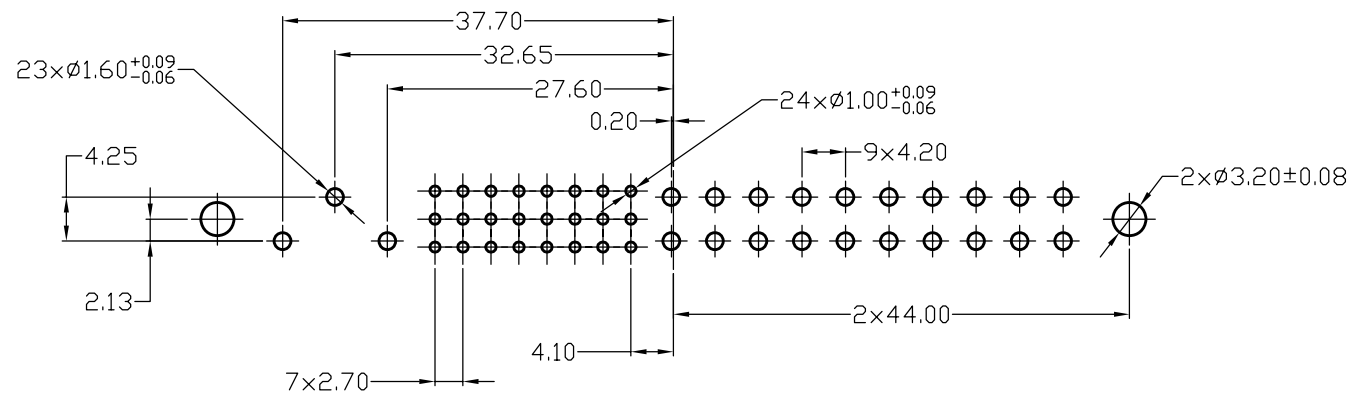
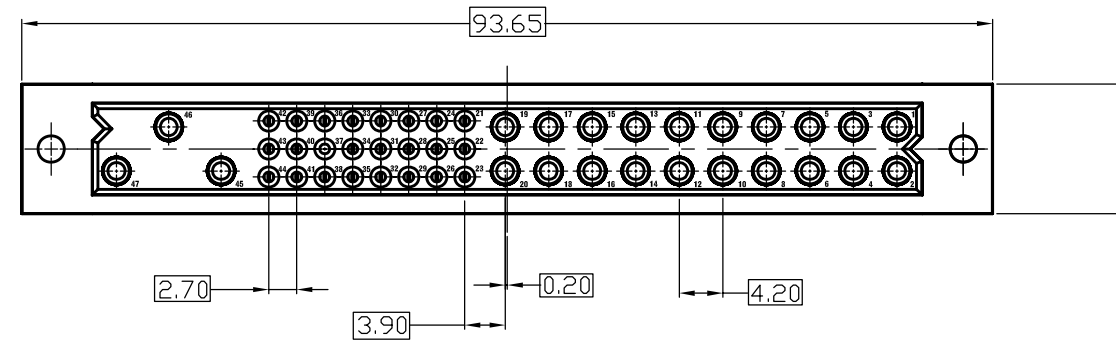
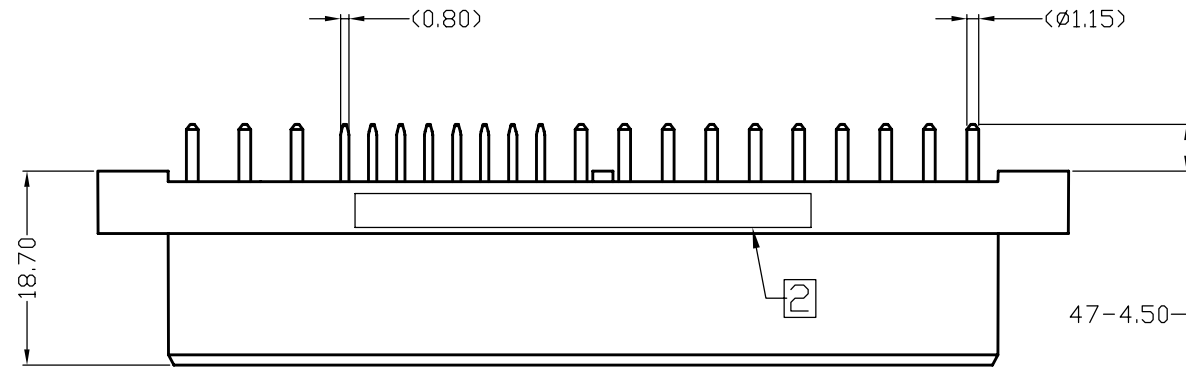
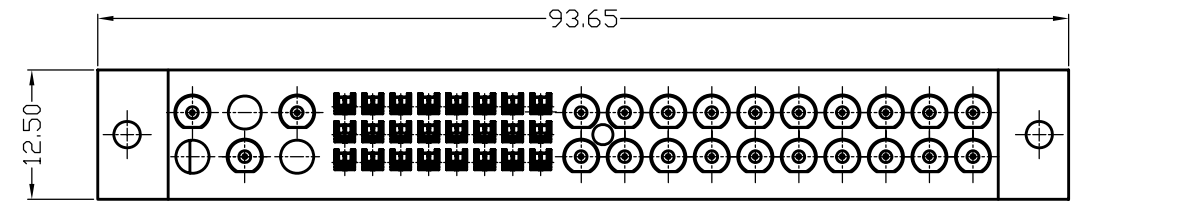
Notes:

1. Materials and finish:
 - (1) High-Temperature Thermoplastic 30% GF, UL94V-0
Color: Black
 - (2) Power and Signal Pins: Copper alloy.
2. Mark Is : Part No(R-250F47****) And Date Code (Year** & Week **)
3. Electrical Characteristics
 - Electrical Feature
 - Insulation Resistance ----- $\geq 10^{10}$ ohms
 - Initial Contact Resistance
 - Power Contact ----- 0.7 Milliohms max
 - Signal Contact ----- 4.0 Milliohms max
 - Voltage Proof
 - Power 1 thru 20 ----- 1500 Vrms
 - Power 45,46,47 ----- 3000 Vrms
 - Power 21 thru 44 ----- 1000 Vrms
 - Current Rating
 - DC Output Power 1 thru 20 ----- 16 Amps
 - Input Power 45,46,47 ----- 23 Amps
 - Size 22 Signal Contacts ----- 2 Amps
 - Minimum Creepage Distance
 - Power 47 to 45 ----- 3.2 (.126)
 - Power 46 to 45 ----- 3.2 (.126)
 - Power 47 to Signal ----- 6.4 (.252)
 - Power 46 to Signal ----- 6.4 (.252)
 - Power 47 to 46 ----- 2.5 (.098)
 - Power 45 to Signal ----- 2.0 (.079)
4. RoHS Directive Compliance.
5. Press-fit Part of Contacts Are Patent Protected.
6. Finish: plating gold over nickel on all area.
7. Finish: plating gold on mating area. Matte tin in tail area, All over nickel on entire contact.

P/N:

R - 2 5 0 F 4 7 1 * 1 N

| CONTACT PLATING | | |
|-----------------|---------------------|--------|
| Code | Plating Description | Finish |
| A | LEVEL 2 | 6 |
| B | LEVEL 1 | 6 |
| F | LEVEL 3 | 6 |
| G | LEVEL 2 | 7 |
| H | LEVEL 1 | 7 |



RECOMMENDED PC BOARD REQUIREMENTS
(COMPONENT SIDE OF BOARD SHOWN)

| DESIGN UNITS | | NAME: CPCI 47P FEMALE ASSEMBLY (SOLDER TYPE) | All Connectors | |
|--|----------|--|-----------------------|---|
| mm | INCH | | TITLE: CUSTOMER DWG. | C |
| GENERAL TOLERANCES: (UNLESS SPECIFIED) | | PART NO: R-250F471*1N | DWG. NO: 010-0000-411 | |
| 4 PLACE | ± **. ** | APPD: 蘇侯安 6/10'09 | SCALE: 1 / 1 | |
| 3 PLACE | ± 0.10 | CHKD: 楊海文 6/10'09 | SHEET: 2 / 2 | |
| 2 PLACE | ± 0.20 | DRAWN: 廖小瓊 6/10'09 | REV.: B | |
| 1 PLACE | ± 0.30 | | | |
| ANGULAR: | X° ± 1° | | | |

| B | *** | UPDATED NOTE | 6/10'09 | LIA | ALAN |
|------|----------|--------------|---------|-------|------|
| REV. | ECN. NO. | DESCRIPTION | DATE | DRAWN | APPD |
| | | | | | |