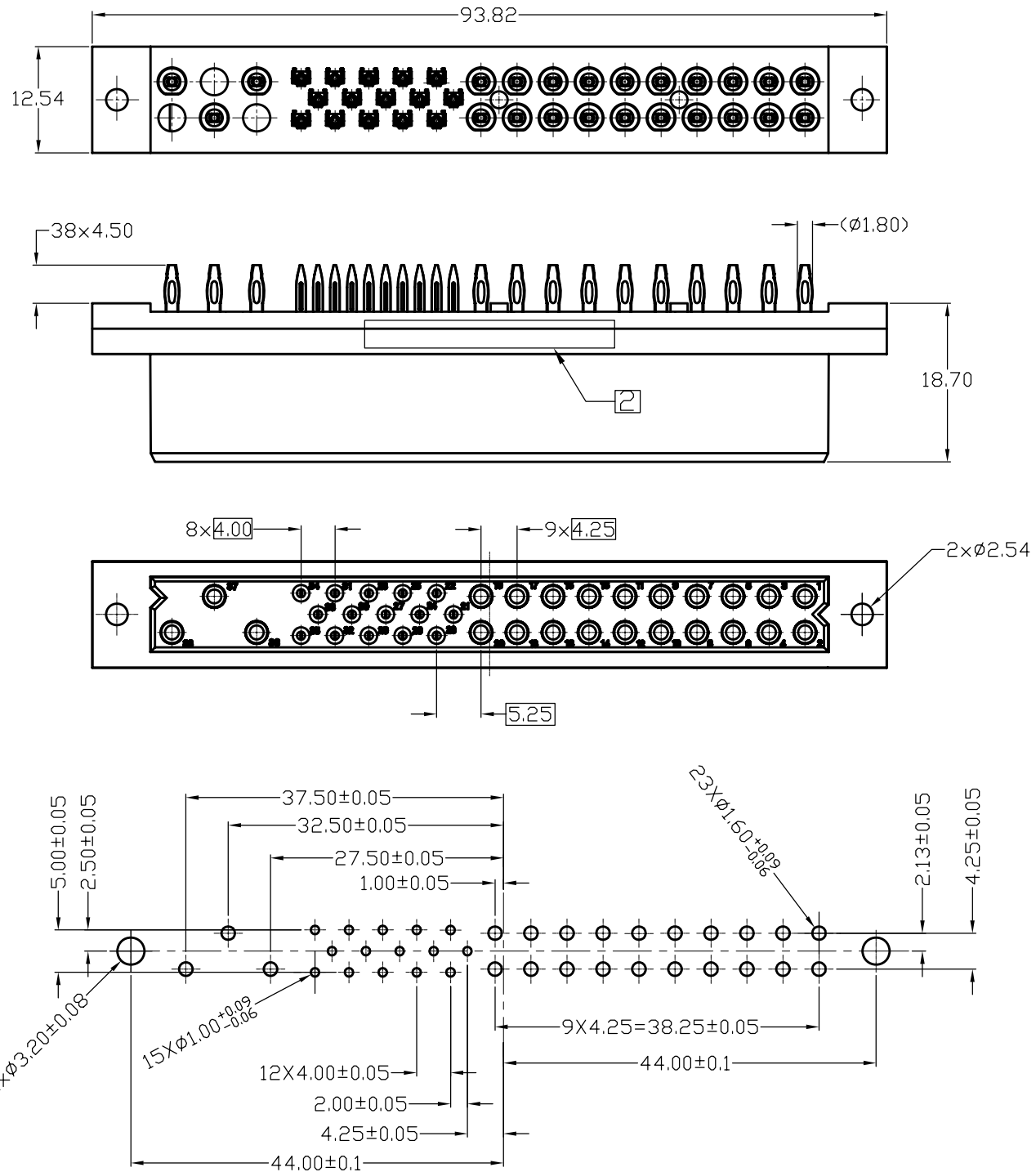


Notes:

1. Materials and finish:
 - (1) Insulator: High-Temperature Thermoplastic, UL94V-0
Color: Black
 - (2) Power and Signal Pins: Copper alloy.
2. Mark Is : Part No(R-250F38****) And Date Code (Year** & Week **)
3. Electrical Characteristics
 - Electrical Feature
 - Insulation Resistance ----- $\geq 10^{10}$ ohms
 - Initial Contact Resistance
 - Power Contact ----- 0.7 Milliohms max
 - Signal Contact ----- 4.0 Milliohms max
 - Voltage Proof
 - Power 1 thru 20 ----- 1500 Vrms
 - Power 36,37,38 ----- 3000 Vrms
 - Power 21 thru 35 ----- 1000 Vrms
 - Current Rating
 - DC Output Power 1 thru 20 ----- 16 Amps
 - Input Power 36,37,38 ----- 23 Amps
 - Size 22 Signal Contacts ----- 2 Amps
 - Minimum Creepage Distance
 - Power 38 To Contact 36 ----- 3.2mm (.126)
 - Power 37 To Contact 36 ----- 3.2mm (.126)
 - Power 38 To Signal Contacts ----- 6.4mm (.252)
 - Power 37 To Signal Contacts ----- 6.4mm (.252)
 - Power 38 To Contact 37 ----- 2.5mm (.098)
 - Power 36 To Signal Contacts ----- 2.0mm (.079)
4. RoHS Directive Compliance
5. Press-fit Part of Contacts Are Patent Protected.
6. Finish: plating gold over nickel on all area.
7. Finish: plating gold on mating area. Matte tin in tail area, All over nickel on entire contact.



RECOMMENDED PC BOARD REQUIREMENTS
(COMPONENT SIDE OF BOARD SHOWN)

P/N:
R - 2 5 0 F 3 8 0 * 1 N

CONTACT PLATING		
Code	Plating Description	Finish
A	LEVEL 2	6
B	LEVEL 1	6
F	LEVEL 3	6
G	LEVEL 2	7
H	LEVEL 1	7

B	***	UPDATED NOTE	6/10'09	LIA	ALAN
REV.	ECN. NO.	DESCRIPTION	DATE	DRAWN	APPD

DESIGN UNITS		NAME: CPCI 38P FEMALE ASSEMBLY (PRESS TYPE)	All Connectors	
mm	INCH		TITLE:	C
GENERAL TOLERANCES: (UNLESS SPECIFIED)		PART NO: R-250F380*1N	CUSTOMER DWG.	
4 PLACE	± **	APPD: 蘇侯安 6/10'09	DWG. NO: 010-0000-371	
3 PLACE	± 0.10	CHKD: 楊海文 6/10'09	SCALE: 1/1	
2 PLACE	± 0.20	DRAWN: 廖小瓊 6/10'09	SHEET: 1/2	
1 PLACE	± 0.30		REV.: B	
ANGULAR:	X°± 1°			

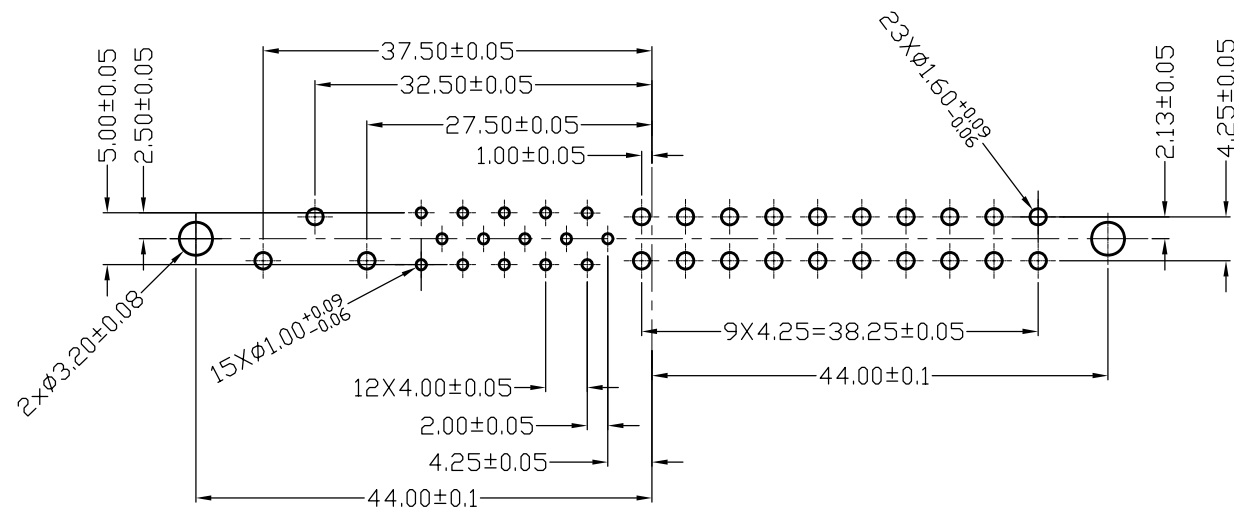
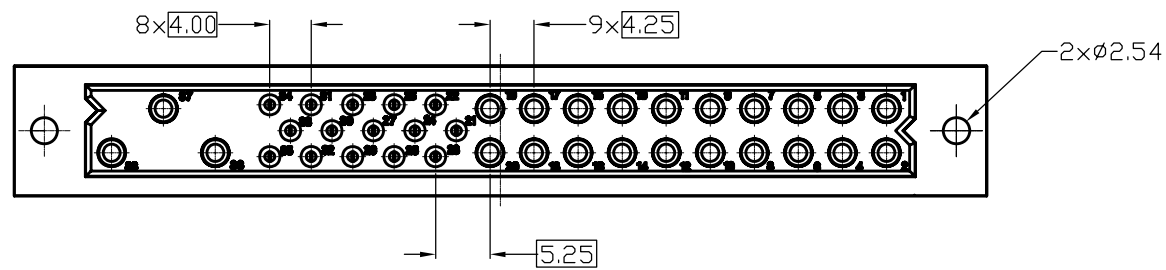
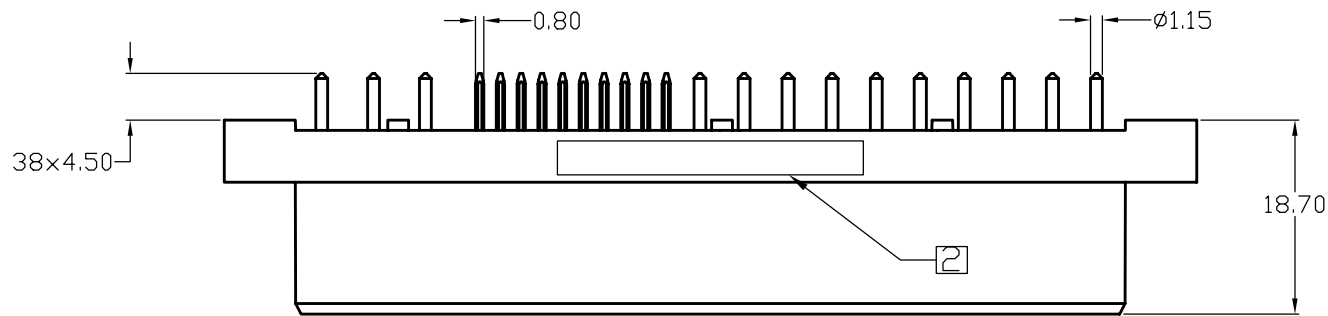
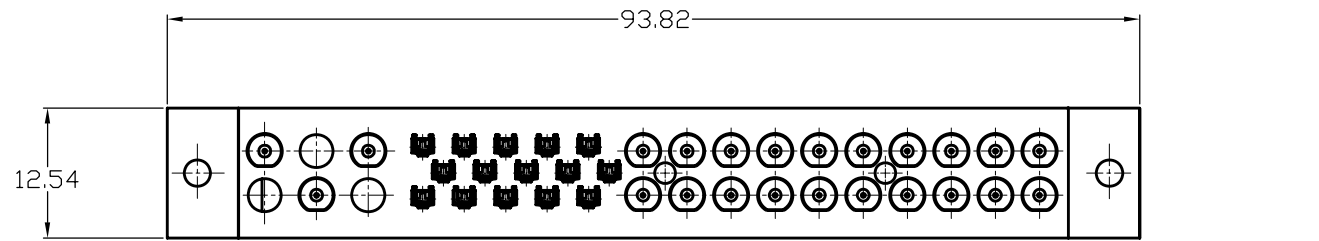
Notes:

1. Materials and finish:
 - (1) Insulator: High-Temperature Thermoplastic, UL94V-0
Color: Black
 - (2) Power and Signal Pins: Copper alloy.
2. Mark Is : Part No(R-250F38****) And Date Code (Year** & Week **)
3. Electrical Characteristics
 - Electrical Feature
 - Insulation Resistance ----- $\geq 10^{10}$ ohms
 - Initial Contact Resistance
 - Power Contact ----- 0.7 Milliohms max
 - Signal Contact ----- 4.0 Milliohms max
 - Voltage Proof
 - Power 1 thru 20 ----- 1500 Vrms
 - Power 36,37,38 ----- 3000 Vrms
 - Power 21 thru 35 ----- 1000 Vrms
 - Current Rating
 - DC Output Power 1 thru 20 ----- 16 Amps
 - Input Power 36,37,38 ----- 23 Amps
 - Size 22 Signal Contacts ----- 2 Amps
 - Minimum Creepage Distance
 - Power 38 To Contact 36 ----- 3.2mm (.126)
 - Power 37 To Contact 36 ----- 3.2mm (.126)
 - Power 38 To Signal Contacts ----- 6.4mm (.252)
 - Power 37 To Signal Contacts ----- 6.4mm (.252)
 - Power 38 To Contact 37 ----- 2.5mm (.098)
 - Power 36 To Signal Contacts ----- 2.0mm (.079)
4. RoHS Directive Compliance,
5. Press-fit Part of Contacts Are Patent Protected.
6. Finish: plating gold over nickel on all area.
7. Finish: plating gold on mating area. Matte tin in tail area, All over nickel on entire contact.

P/N:

R - 2 5 0 F 3 8 1 * 1 N

CONTACT PLATING		
Code	Plating Description	Finish
A	LEVEL 2	6
B	LEVEL 1	6
F	LEVEL 3	6
G	LEVEL 2	7
H	LEVEL 1	7



RECOMMENDED PC BOARD REQUIREMENTS
(COMPONENT SIDE OF BOARD SHOWN)

B	***	UPDATED NOTE	6/10'09	LIA	ALAN
REV.	ECN. NO.	DESCRIPTION	DATE	DRAWN	APPD

DESIGN UNITS	
mm	INCH
GENERAL TOLERANCES: (UNLESS SPECIFIED)	
4 PLACE	± **. **
3 PLACE	± 0.10
2 PLACE	± 0.20
1 PLACE	± 0.30
ANGULAR:	X°± 1°

NAME: CPCI 38P FEMALE ASSEMBLY (SOLDER TYPE)	All Connectors
PART NO: R-250F381*1N	
APPD: 蘇侯安 6/10'09	TITLE: CUSTOMER DWG. C
CHKD: 楊海文 6/10'09	DWG. NO: 010-0000-371
DRAWN: 廖小瓊 6/10'09	SCALE: 1 / 1
	SHEET: 2 / 2
	REV.: B