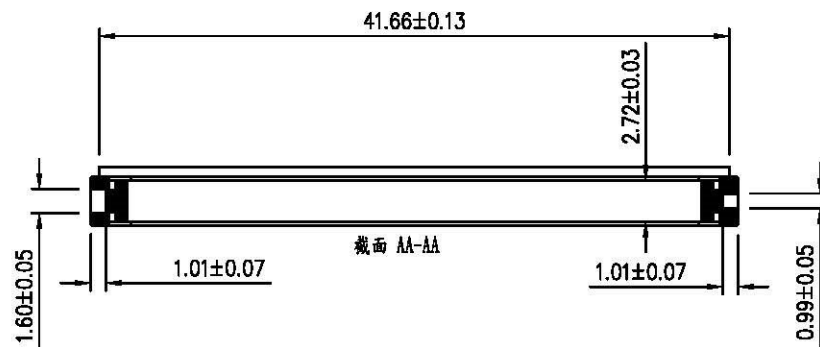
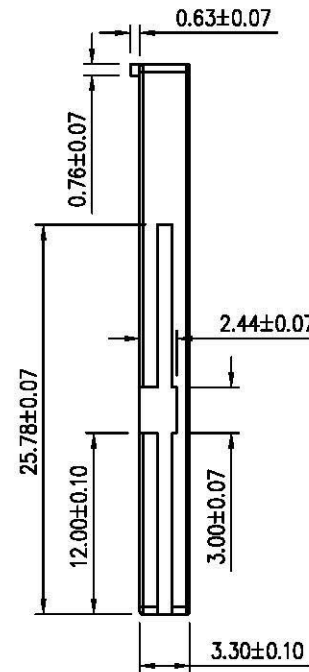
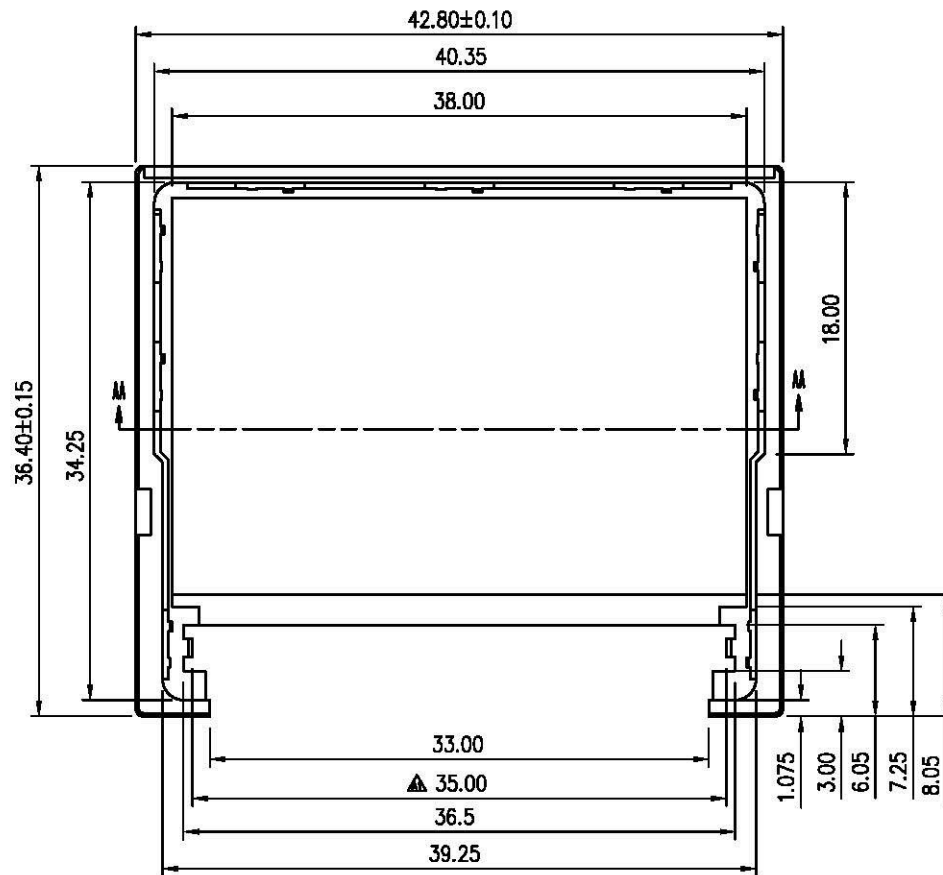

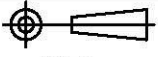


REV.	DESCRIPTION	DATE
A1	加註卡扣尺寸	2014/4/21

NOTE:

A. Housing : Polyester Fiber,UL 94V-0 ,Black.

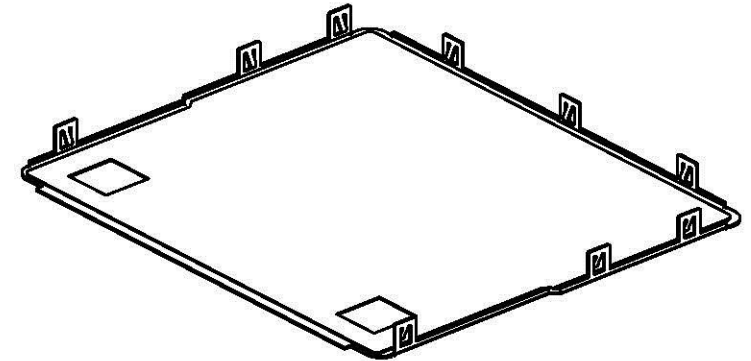
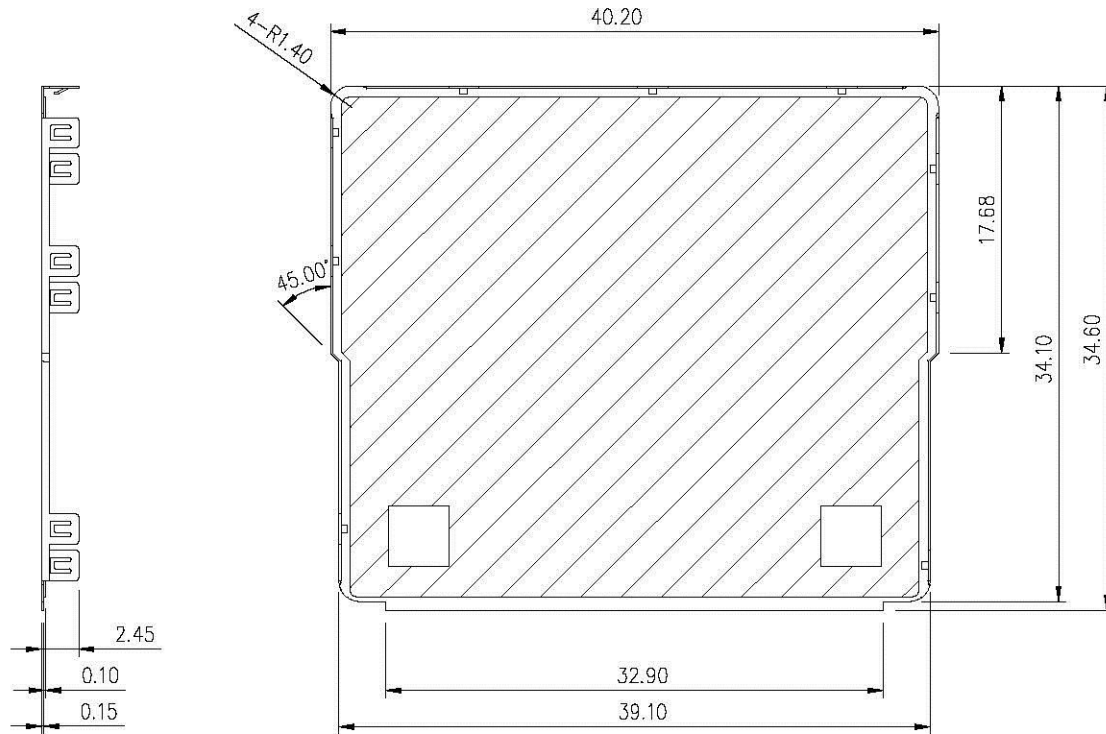


TOLERANCE .X ± 0.250 .XX ± 0.100 .XXX ± 0.050	DRAWER <i>Chin Chan Liu</i>	 <small>www.allconnectors.com Tel.: 0049 711 7009204 70794 Flörsbachtal, Germany</small>	
	CHECK <i>Hsi Jung Liu</i>		
 UNITS : mm	DESIGNED <i>Chin Chan Liu</i>	NAME Memory Card Series Compact Flash Card Frame Kit	
	APPROVAL <i>Hsi Jung Liu</i>	DATE 7 / 3 / 2013	PART NO. MC-CF-FRAME-2
SCALE 2 : 1	SIZE A4	SHEET 1 OF 1	REV. A

REV.	DESCRIPTION	DATE

NOTE:

- A. Sheetmetal : T=0.15mm un-shiny.
Stainless steel.
- B. Mylar insulator : SONY Thermo-Bond
Film NP605



TOLERANCE .X ±0.250 .XX ±0.100 .XXX±0.050	DRAWER <i>Chin Chan Lia</i>	 www.allconnectors.de info@allconnectors.de Tel.: 0049 711 4009449 Fax: 0049 71 4009404 70704 Filberstadt - Germany Kellernstraße 25	
	CHECK <i>Hsi Jung Lia</i>		
 UNITS : mm	DESIGNED <i>Chin Chan Lia</i>	NAME Memory Card Series Compact Flash Card Cover	
	APPROVAL <i>Hsu Feng Lia</i>	DATE 04 / 10 / 2002	PART NO. MC-CF-COVER
SCALE 2 : 1	SIZE A4	SHEET 1 OF 1	REV. A