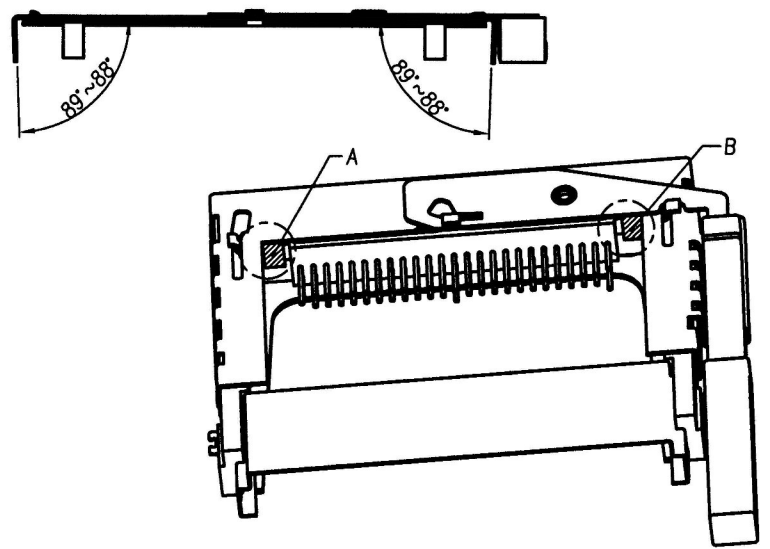
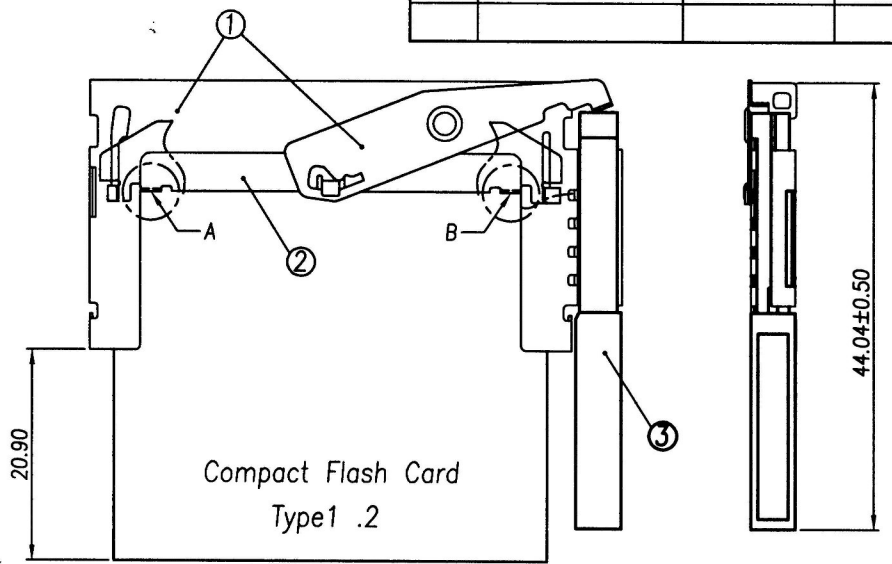
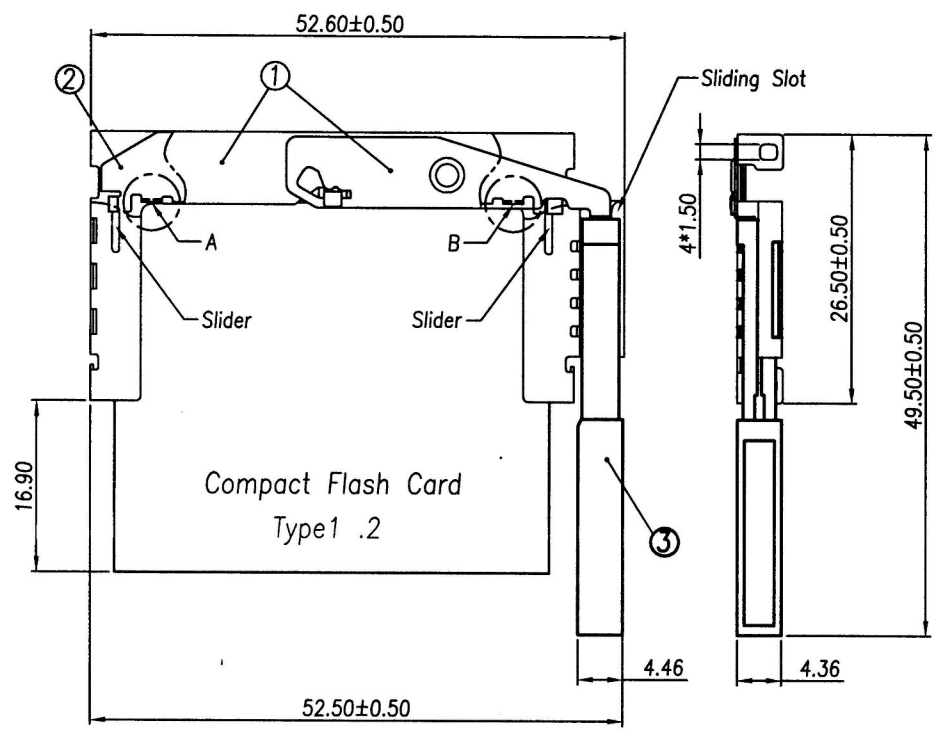


1 2 3 4 5 6 7 8

REV	MODIFICATION	DATE	DRAW
B	EN-05-0206	2/2/2005	TONY



NOTES:

- ① COVER: SUS 304,T=0.3mm
HEAVER: SUS 304,T=0.3mm
- ② EJECTOR SEAT: SUS 304,T=0.3mm
- ③ EJECTOR:Hige temperature plastic COLOR=BLOCK
- 4. Ordering Information:K-CFC1-06

6 : PARALLEL BARS TYPE

DIMENSION IN mm [Inch]		PROD. SPEC.	 <small>www.allconnectors.de Tel.: 0049 711 7009563 70754 Filderstadt - Germany</small> <small>info@allconnectors.de Fax: 0049 711 7009504 Kettenerstr. 25</small>	
TOLERANCE UNLESS OTHERWISE SPECIFIED		PKG. SPEC. PPP-CFC-003	TITLE PARALLEL BARS TYPE	
.X±0.30	X'± 1"	APPROVE <i>[Signature]</i>	CUSTOMER DRAWING	
.XX±0.20	.X'± 0.5"	CHECK <i>[Signature]</i>	FILE NO. KFP-071	DWG NO. K-CFC1-06
.XXX±0.10	.XX'± 0.25"	DRAW <i>[Signature]</i>	SIZE A4	PROJ. SHEET 1 / 1
			SCALE 1.5:1	REV B

1 2 3 4 5 6 7 8 8F-01-R10