

Pin Type	Interface Dim L	Pin Type	REV	MODIFICATION	DATE	DRAW
Detect	3.5 mm	25,26	B	EN-05-0812	2005/8/15	TONY
General	4.25 mm	All Other Pins				
Power	5.0 mm	1,13,38,50				

Ordering Information:

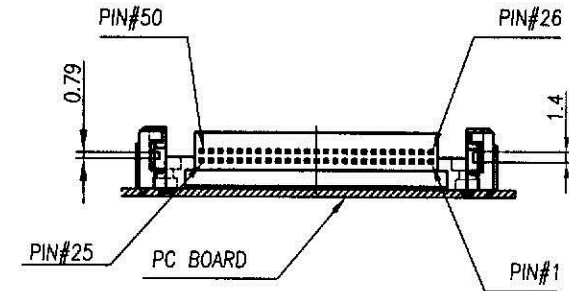
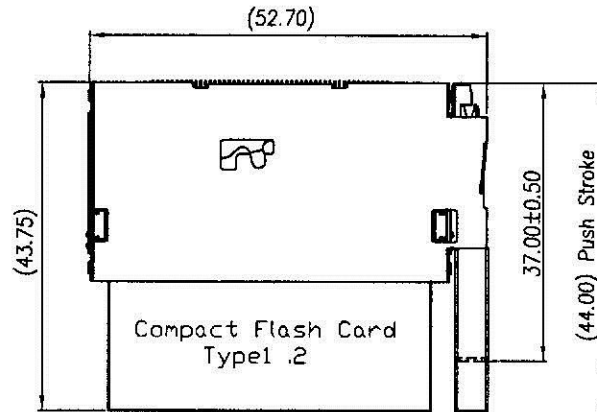
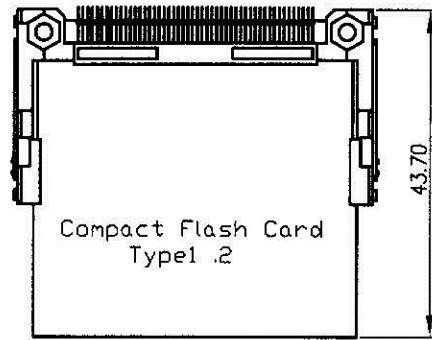
CFC M D - 8 5 X XX W 1 1 1
 Pin No. TYPE 2 Color: W-White. 1 : REVERSE TYPE
 DIM-A 1-40.16

0 : TIN/LEAD 90/10
 T : LEAD FREE TIN 100%
 STAND OFF 1 : 2mm

Contact Area Plating:
 15--15U" Gold Plating.

DIMENSION IN mm [Inch]		PROD. SPEC. SP0063	All Connectors	
TOLERANCE UNLESS OTHERWISE SPECIFIED		PKG. SPEC. PPP-CFC-006	CF CARD CONN. TYPE1,2	
.X±0.30	.X'± 1"	APPROVE <i>DR</i>	TITLE STAND-OFF 2.0mm REVERSE TYPE	CUSTOMER DRAWING
.XX±0.20	.X'± 0.5"	CHECK <i>劉志明</i>	FILE NO.	DWG NO. CFCMD-85XXXW111
.XXX±0.10	.XX'± 0.25"	DRAW <i>劉志明</i>	SIZE A4	PROJ. SHEET 1 / 2
			SCALE 1:1	REV B

REV	MODIFICATION	DATE	DRAW
B	EN-05-0812	2005/8/15	TONY



CARD INSERTION

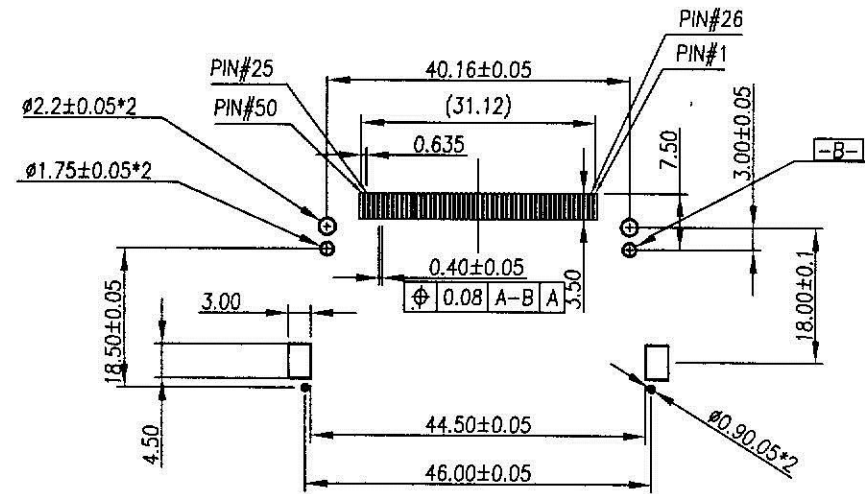
Header With Ejector

Ordering Information:

CFC M D - 8 5 X XX W 1 1 1
 Pin No. TYPE 2
 Color: W-White. 1 : REVERSE TYPE
 DIM-A 1-40.16
 STAND OFF 1 : 2mm
 Contact Area Plating: 15--15U" Gold Plating.

SPECIFICATIONS:

HOUSING : High Temperature Plastic, UL 94V-0
 CONTACT : Copper Alloys
 VOLTAGE RATING : 100VAC
 CURRENT RATING : 0.5A
 CONTACT RESISTANCE:40 mΩ max.
 INSULATION RESISTANCE:1000M Ω min.
 DIELECTRIC STRENGTH : 500VAC/1min
 OPERATION TEMPERATURE : -40°C~85°C



P.C.B Layout

DIMENSION IN mm [Inch]		PROD. SPEC. SP0063		
TOLERANCE UNLESS OTHERWISE SPECIFIED		PKG. SPEC. PPP-CFC-006	CF CARD CONN. TYPE1,2 TITLE STAND-OFF 2.0mm REVERSE TYPE	
.X±0.30	.X'± 1'	APPROVE <i>[Signature]</i>	FILE NO.	DWG NO. CFCMD-85XXXW111
.XX±0.20	.X'± 0.5'	CHECK <i>[Signature]</i>	PROJ.	SHEET 2 / 2
.XXX±0.10	.XX'± 0.25'	DRAW <i>[Signature]</i>	SIZE A4	SCALE 1:1 REV B