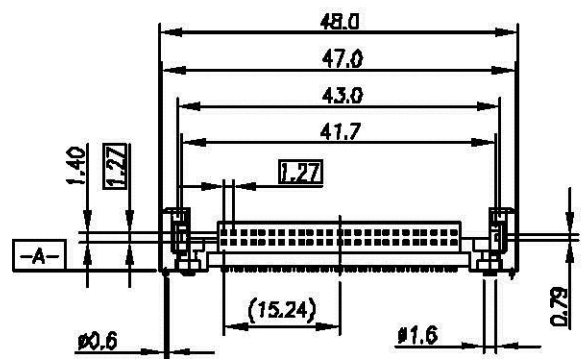
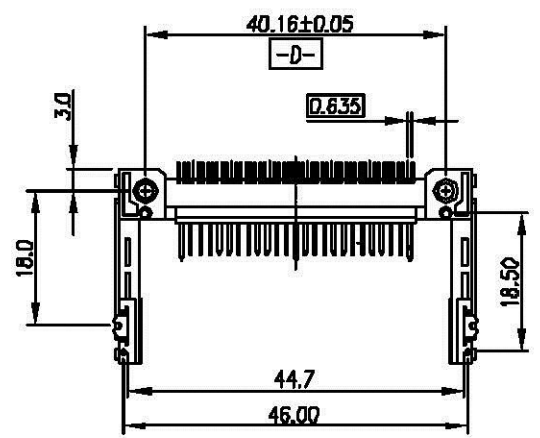
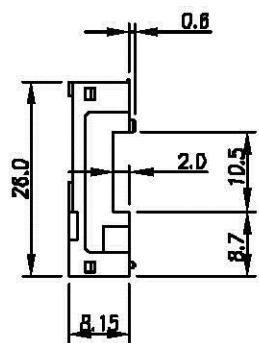
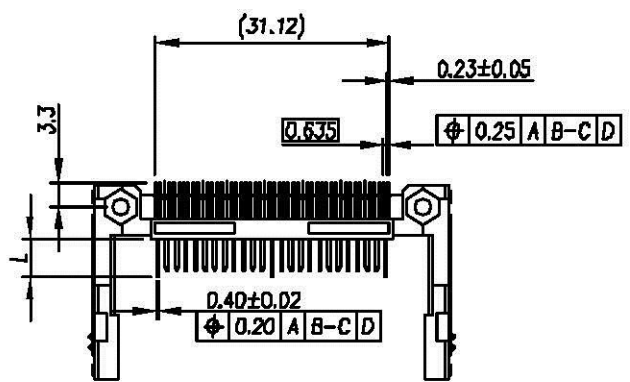
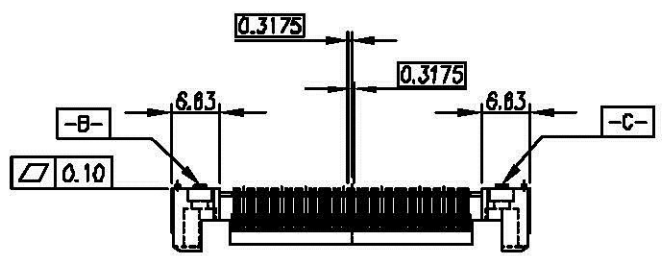


F
E
D
C
B
A

1 2 3 4 5 6 7 8



Pin Type	Interface Dim L	Pin Type	REV	MODIFICATION	DATE	DRAW
Detect	3.5 mm	25,28	B	EN-05-0810	2005/8/11	TONY
General	4.25 mm	All Other Pins				
Power	5.0 mm	1,13,38,50				

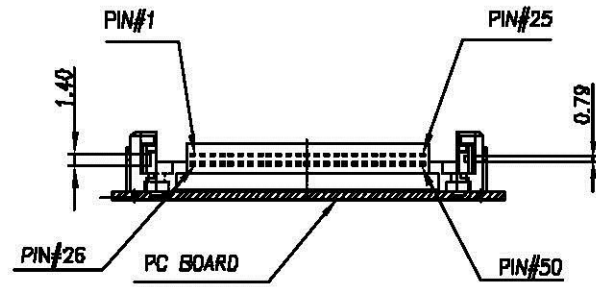
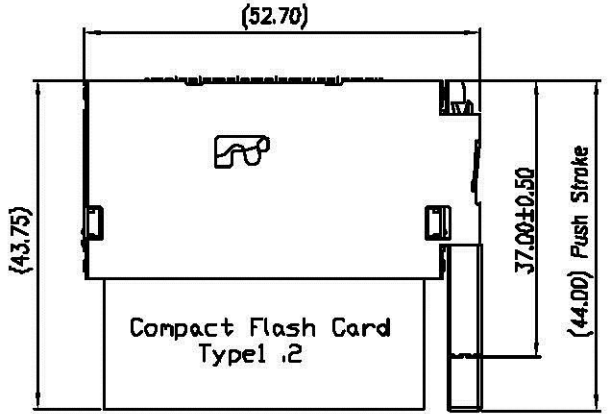
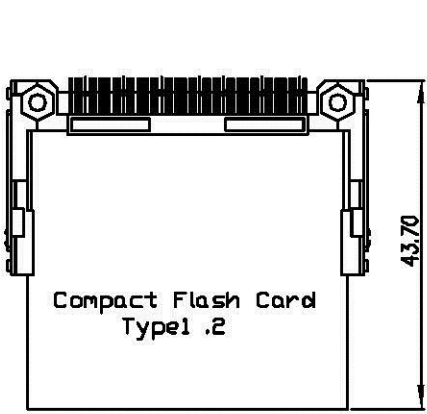
Ordering Information:

CFC M D -B 5 X XX W 1 0 X
 Pin No. TYPE 2 Color: W--White. DIM-A 1-40.16 2-40.16 ADD MYLAR
 O : TIN/LEAD 90/10 T : LEAD FREE TIN 100% O-NORMAL TYPE
 Contact Area Plating: 15--15U" Gold Plating. 1 : STANDOFF 2.0mm

DIMENSION IN mm (Inch)		PROD. SPEC	All Connectors	
TOLERANCE UNLESS OTHERWISE SPECIFIED		SP0063	www.allconnectors.com Tel.: 0049 711 7009030 Fax: 0049 711 7009004 70796 Filderstadt, Germany	
.X±0.30	X'± 1'	APPROVE	CF CARD CONN. TYPE1,2 TITLE STAND-OFF 2.0mm NORMAL TYPE	CUSTOMER DRAWING
.XX±0.20	.X'± 0.5'	CHECK	FILE NO.	DWG NO. CFCMD-85XXW101
.XXX±0.10	.XX'± 0.25'	DRW	SIZE A4	PROJ. SHEET 1 / 2 SCALE 1:1 REV B

1 2 3 4 5 6 7 8 8F-01-R10

REV	MODIFICATION	DATE	DRAW
B	EN-05-0810	2005/8/11	TONY



CARD INSERTION

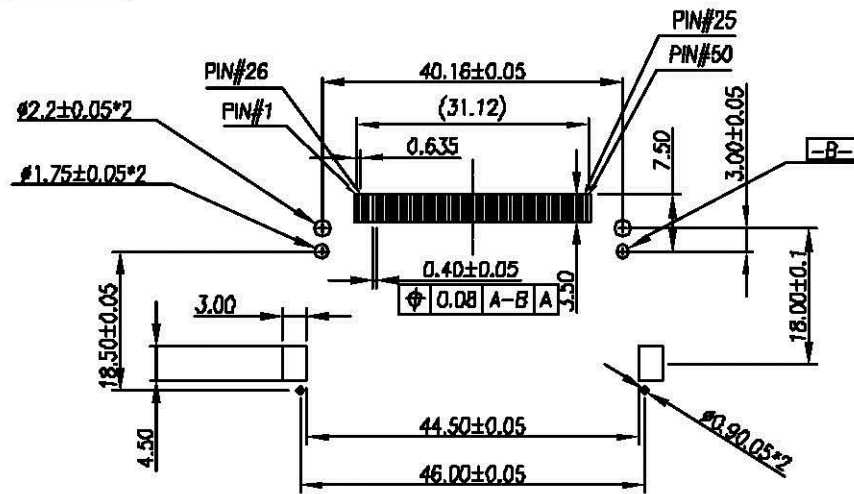
Header With Ejector

Ordering Information:

CFC M D -8 5 X XX W 1 0 X
 Pin No. TYPE 2 Color: W--White. DIM-A 1-40.16 2-40.18 ADD MYLAR
 O : TIN/LEAD 90/10 T : LEAD FREE TIN 100%
 Contact Area Plating: 15--15U" Gold Plating. 1 : STANDOFF 2.0mm
 0-NORMAL TYPE

SPECIFICATIONS:

- HOUSING : High Temperature Plastic, UL 94V-0
- CONTACT : Copper Alloys
- VOLTAGE RATING : 100VAC
- CURRENT RATING : 0.5A
- CONTACT RESISTANCE: 40 mΩ max.
- INSULATION RESISTANCE: 1000M Ω min.
- DIELECTRIC STRENGTH : 500VAC/1min
- OPERATION TEMPERATURE : -40°C~85°C



P.C.B. Layout

DIMENSION IN mm [Inch]		PROD. SPEC SP0063	Allconnectors www.allconnectors.de info@allconnectors.de +49 3503 231 9000 +49 3503 231 9009 +49 3503 231 9004	
TOLERANCE UNLESS OTHERWISE SPECIFIED		PWG. SPEC PPP-CFC-006	CF CARD CONN. TYPE1,2 TITLE STAND-OFF 2.0mm NORMAL TYPE	CUSTOMER DRAWING
.X±0.30	.X'±1'	APPROVE	FILE NO.	DWG NO. CFCMD-85XXXW101
.XX±0.20	.X'±0.5'	CHECK	PROJ.	SHEET 2 / 2
.XXX±0.10	.XX'±0.25'	DRW	SIZE A4	SCALE 1:1 REV B