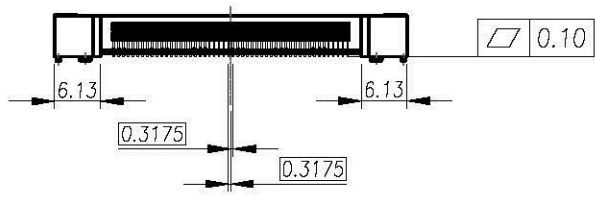
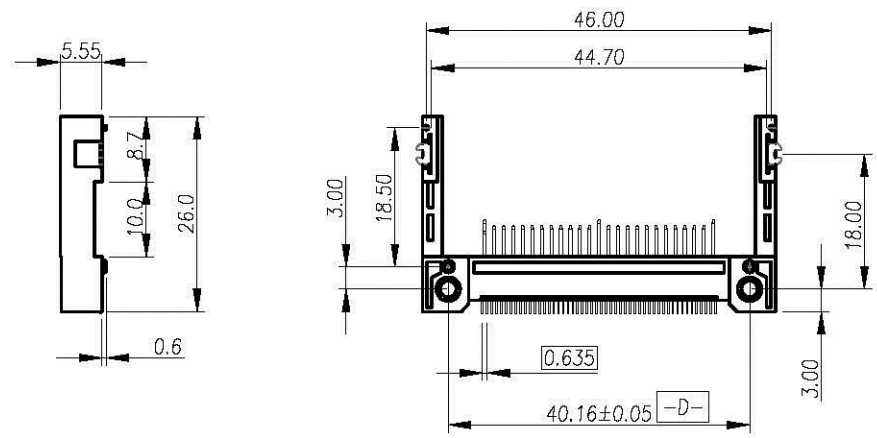
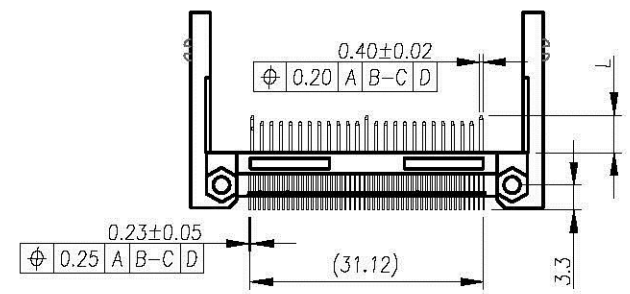
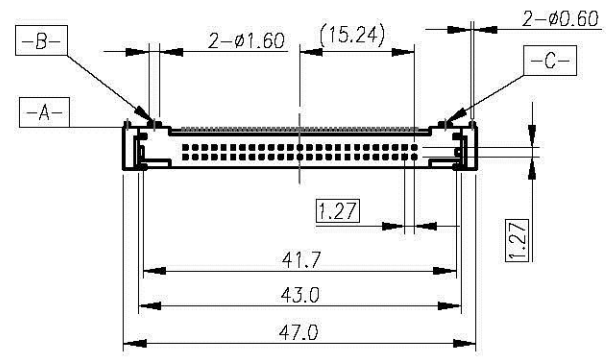


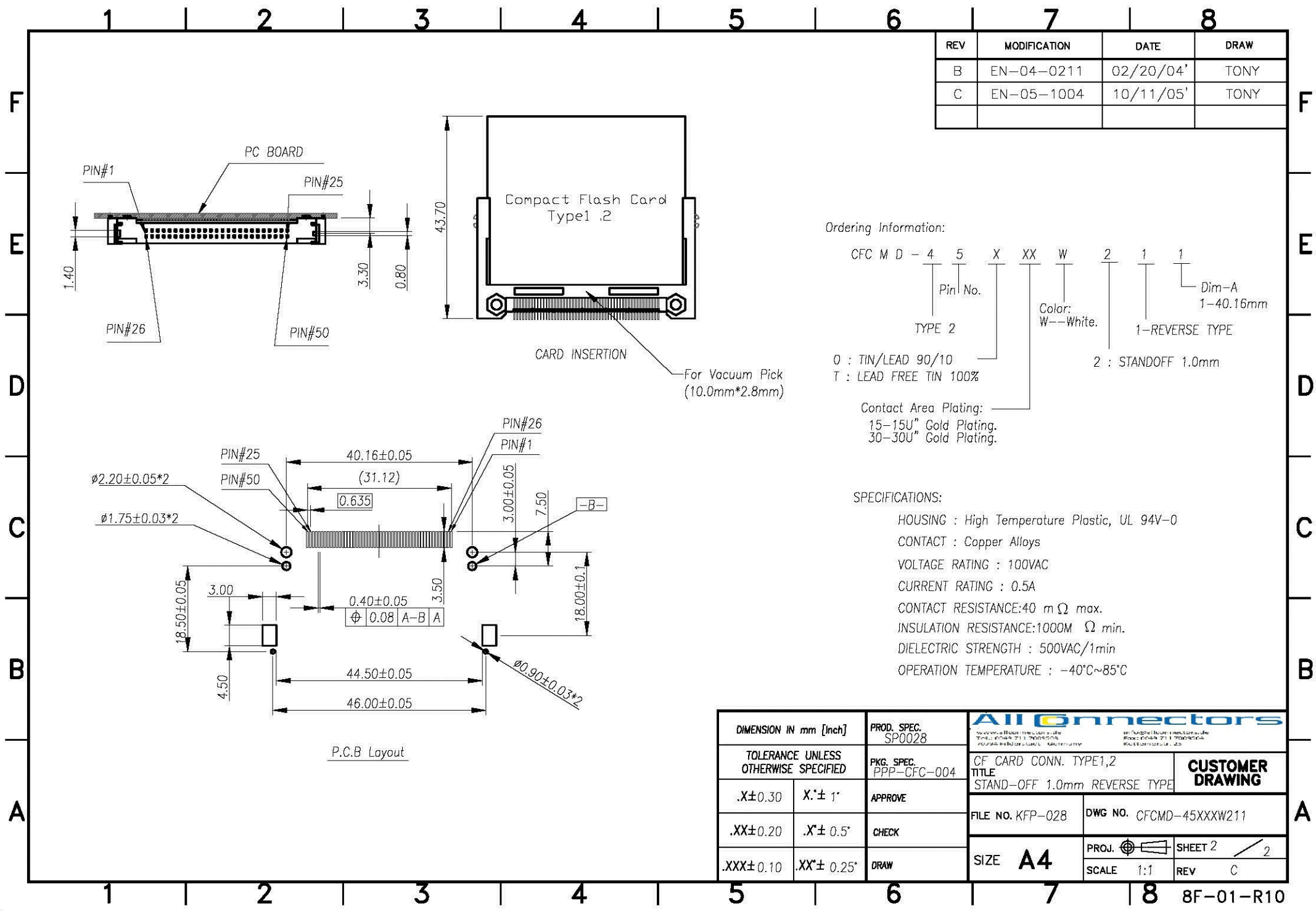
1 2 3 4 5 6 7 8

Pin Type	Interface Dim L	Pin Type	REV	MODIFICATION	DATE	DRAW
Detect	3.5 mm	25,26	B	EN-04-0211	02/20/04'	TONY
General	4.25 mm	All Other Pins	C	EN-05-1004	10/11/05'	TONY
Power	5.0 mm	1,13,38,50				



DIMENSION IN mm [Inch]		PROD. SPEC. SP0028	KINGFONT KINGFONT PRECISION INDUSTRIAL CO., LTD.	
TOLERANCE UNLESS OTHERWISE SPECIFIED		PKG. SPEC. PPP-CFC-004	CF CARD CONN. TYPE1,2 TITLE STAND-OFF 1.0mm REVERSE TYPE	CUSTOMER DRAWING
.X±0.30	X.*± 1'	APPROVE	FILE NO. KFP-028	DWG NO. CFCMD-45XXXW211
.XX±0.20	.X.*± 0.5'	CHECK	SIZE A4	PROJ. SHEET 1 / 2
.XXX±0.10	.XX.*± 0.25'	DRAW	SCALE 1:1	REV C

1 2 3 4 5 6 7 8 8F-01-R10



REV	MODIFICATION	DATE	DRAW
B	EN-04-0211	02/20/04'	TONY
C	EN-05-1004	10/11/05'	TONY

Ordering Information:

CFC M D - 4 5 X XX W 2 1 1
 Pin No. TYPE 2 Color: W--White. Dim-A 1-40.16mm
 1-REVERSE TYPE
 2 : STANDOFF 1.0mm

0 : TIN/LEAD 90/10
 T : LEAD FREE TIN 100%

Contact Area Plating:
 15-15U" Gold Plating.
 30-30U" Gold Plating.

SPECIFICATIONS:

- HOUSING : High Temperature Plastic, UL 94V-0
- CONTACT : Copper Alloys
- VOLTAGE RATING : 100VAC
- CURRENT RATING : 0.5A
- CONTACT RESISTANCE:40 mΩ max.
- INSULATION RESISTANCE:1000M Ω min.
- DIELECTRIC STRENGTH : 500VAC/1min
- OPERATION TEMPERATURE : -40°C~85°C

DIMENSION IN mm [Inch]		PROD. SPEC. SPO028	All Connectors	
TOLERANCE UNLESS OTHERWISE SPECIFIED		PKG. SPEC. PPP-CFC-004	CF CARD CONN. TYPE1,2	
.X±0.30	.X'± 1"	APPROVE	TITLE STAND-OFF 1.0mm REVERSE TYPE	
.XX±0.20	.X'± 0.5"	CHECK	FILE NO. KFP-028	DWG NO. CFCMD-45XXXW211
.XXX±0.10	.XX'± 0.25"	DRAW	SIZE A4	PROJ. SHEET 2 / 2
			SCALE 1:1	REV C