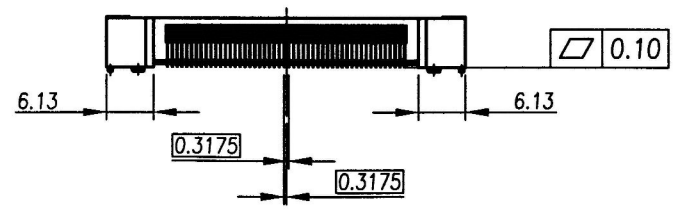
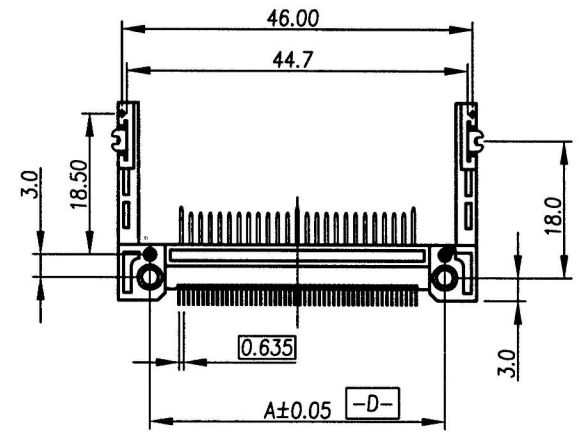
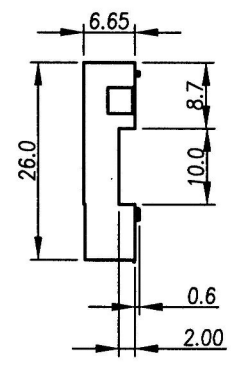
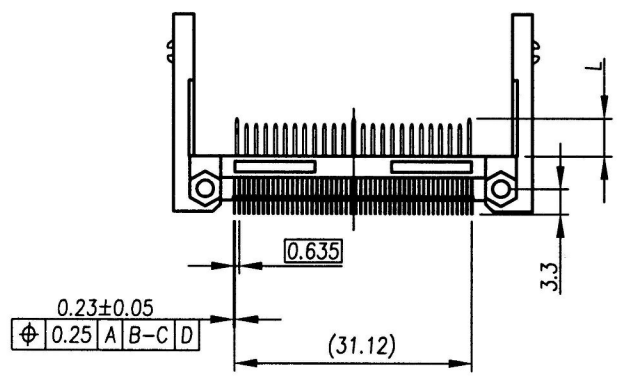


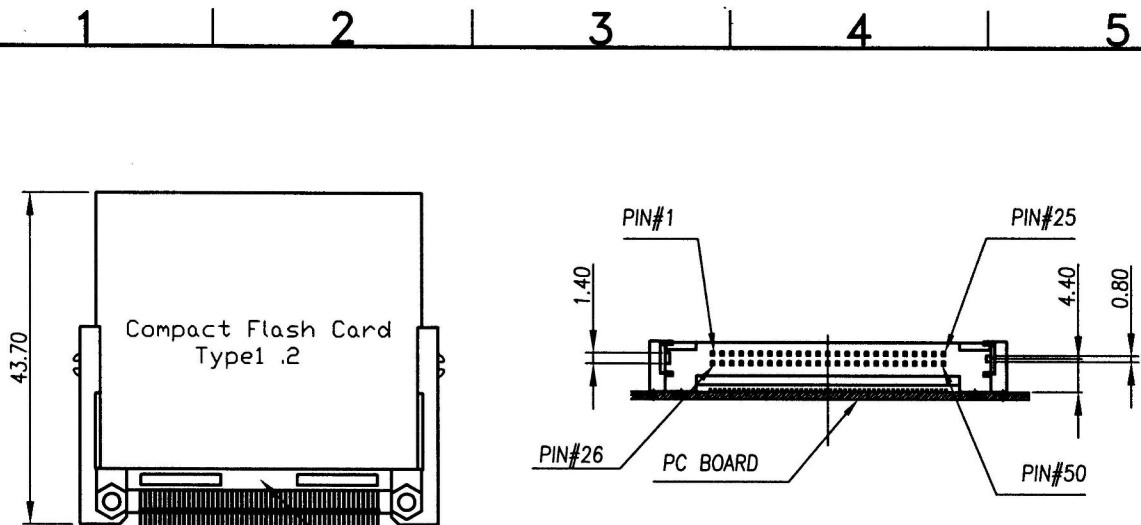
Pin Type	Interface Dim L	Pin Type	REV	MODIFICATION	DATE	DRAW
Detect	3.5 mm	25,26	E	EN-04-0818	08/27/04'	TONY
General	4.25 mm	All Other Pins	F	EN-04-1025	10/29/04'	TONY
Power	5.0 mm	1,13,38,50	G	EN-05-0130	01/24/05'	TONY



DIMENSION IN mm [Inch]		PROD. SPEC SP0028
TOLERANCE UNLESS OTHERWISE SPECIFIED		PKG. SPEC PPP-CFC-004
.X±0.30	X'± 1'	APPROVE <i>[Signature]</i>
.XX±0.20	.X'± 0.5'	CHECK <i>[Signature]</i>
.XXX±0.10	.XX'± 0.25'	DRAW <i>[Signature]</i>

Allconnectors
 www.allconnectors.de
 TEL: 0949 711 709504
 70794 Filzstätt - Germany
 info@allconnectors.de
 FAX: 0949 711 709504
 Kettnerstr. 25

CF CARD CONN. TYPE1,2		CUSTOMER DRAWING
TITLE STAND-OFF 2.0mm NORMAL TYPE		
FILE NO. KFP-028	DWG NO. CFCMD-45XXXW10X	
SIZE A4	PROJ.	SHEET 1 / 2
SCALE 1:1	REV G	



REV	MODIFICATION	DATE	DRAW
E	EN-04-0818	08/27/04'	TONY
F	EN-04-1025	10/29/04'	TONY
G	EN-05-0130	01/24/05'	TONY

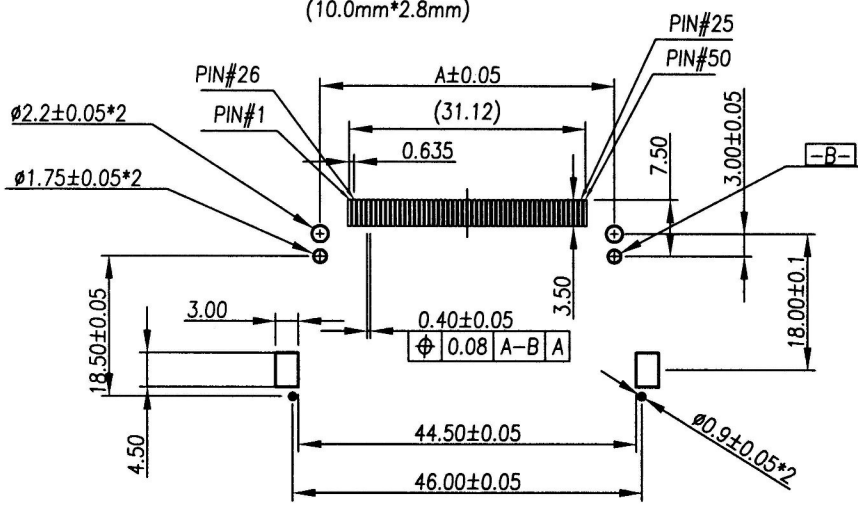
Ordering Information:

CFC M D -4 5 X XX W 1 0 X
 TYPE 2
 Pin No. 50 Position
 Color: W--White.
 0 : TIN/LEAD 90/10
 T : LEAD FREE TIN 100%
 1 : STANDOFF 2.0mm

Contact Area Plating:
 15--15U" Gold Plating.
 30--30U" Gold Plating.

SPECIFICATIONS:

- HOUSING : High Temperature Plastic, UL 94V-0
- CONTACT : Copper Alloys
- VOLTAGE RATING : 100VAC
- CURRENT RATING : 0.5A
- CONTACT RESISTANCE: 40 mΩ max.
- INSULATION RESISTANCE: 1000M Ω max.
- DIELECTRIC STRENGTH : 500VAC/1min
- OPERATION TEMPERATURE : -40°C~85°C



P.C.B Layout

DIMENSION IN mm [Inch]		PROD. SPEC. SP0028		
TOLERANCE UNLESS OTHERWISE SPECIFIED		PKG. SPEC. PPP-CFC-004	www.allconnectors.de Tel.: 0049 711 7099503 70794 Filzberg - Germany info@allconnectors.de Fax: 0049 711 7099504 Kerkerstr. 25	
.X±0.30	X.'± 1'	APPROVE	CF CARD CONN. TYPE1,2	CUSTOMER DRAWING
.XX±0.20	.X'± 0.5'	CHECK	STAND-OFF 2.0mm NORMAL TYPE	
.XXX±0.10	.XX'± 0.25'	DRAW	FILE NO. KFP-028	DWG NO. CFCMD-45XXXW10X
			SIZE A4	PROJ. SHEET 2 / 2
			SCALE 1:1	REV G