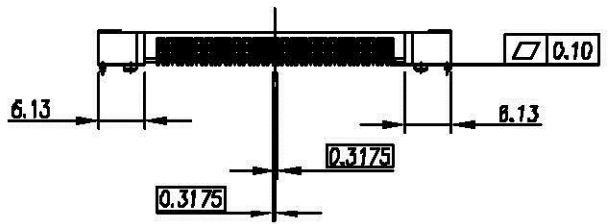
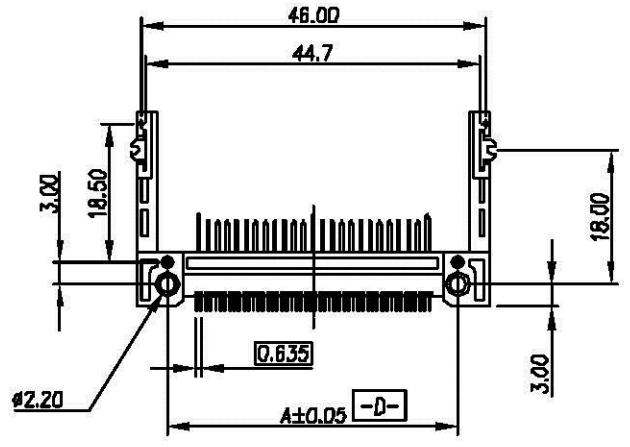
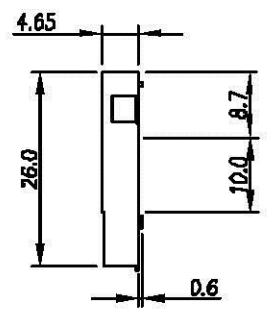
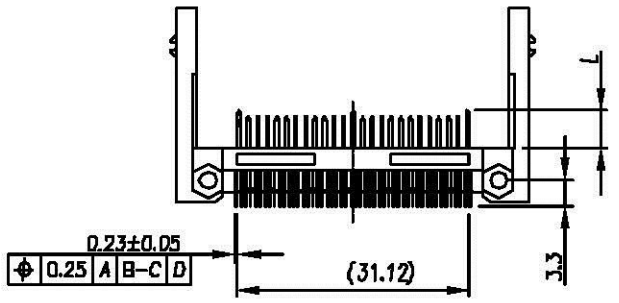
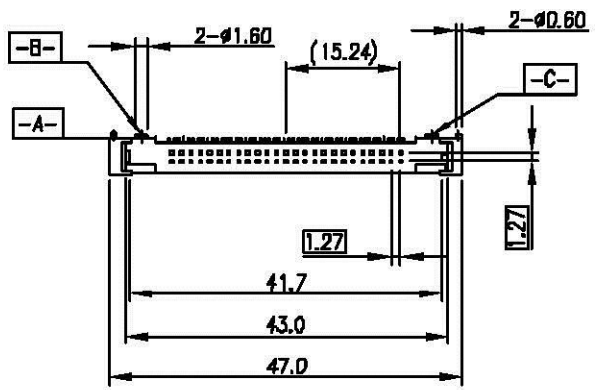
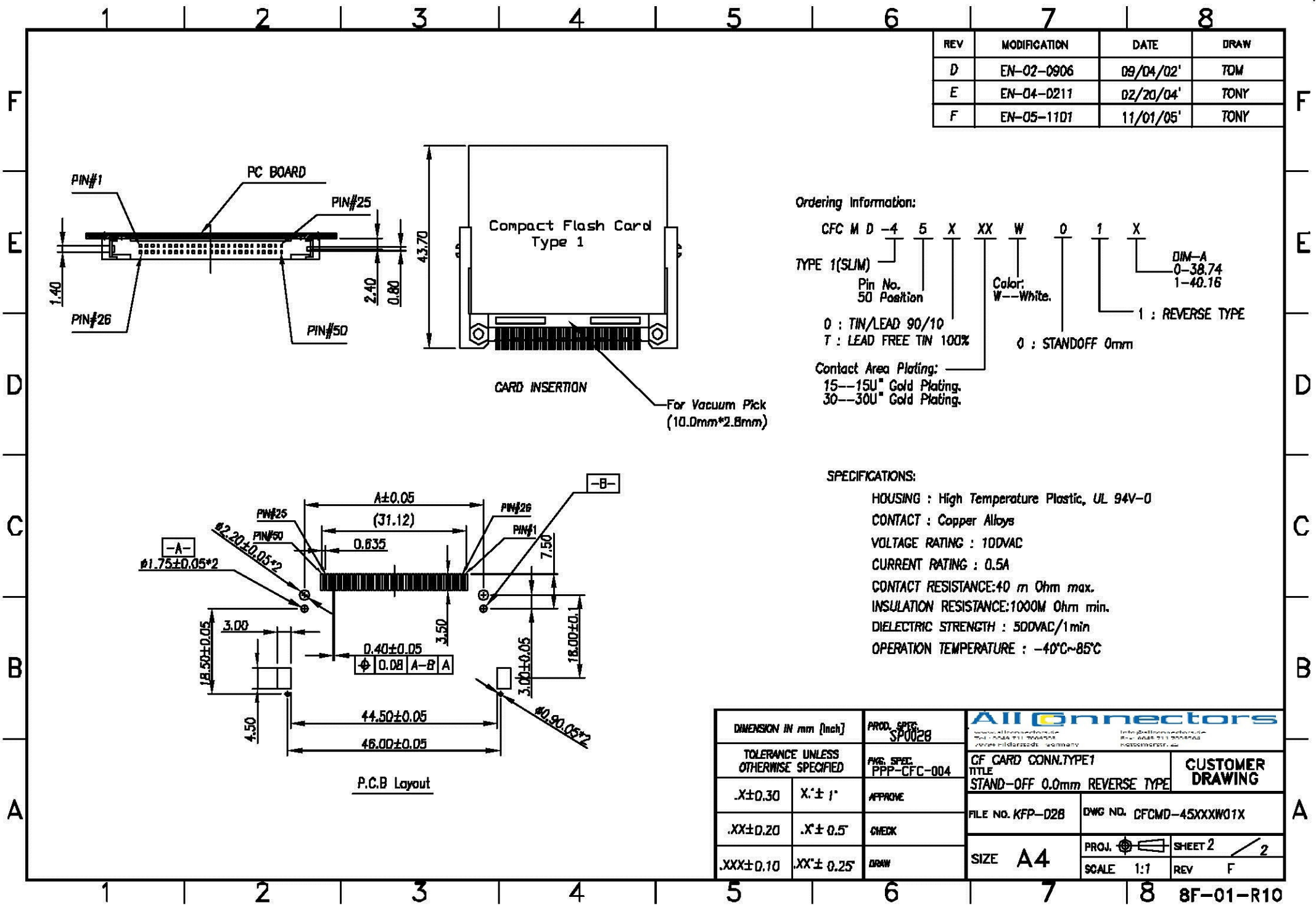


Pin Type	Interface Dim L	Pin Type	REV	MODIFICATION	DATE	DRAW
Detect	3.5 mm	25,26	D	EN-02-0908	09/04/02'	TDM
General	4.25 mm	All Other Pins	E	EN-04-0211	02/20/04'	TONY
Power	5.0 mm	1,13,38,50	F	EN-05-1101	11/01/05'	TONY



DIMENSION IN mm [Inch]		PROD. SPEC. SP0028	All Connectors www.allconnectors.com info@allconnectors.com	
TOLERANCE UNLESS OTHERWISE SPECIFIED		PWG. SPEC. PPP-CFC-004	CF CARD CONN. TYPE 1 TITLE	CUSTOMER DRAWING
.X±0.30	.X'± 1"	APPROVE	STAND-OFF 0.0mm REVERSE TYPE	
.XX±0.20	.X'± 0.5"	CHECK	FILE NO. KFP-D2B	DWG NO. CFCMD-45XXXW01X
.XXX±0.10	.XX'± 0.25"	DRAW	SIZE A4	PROJ. SHEET 1 / 2
			SCALE 1:1	REV F



REV	MODIFICATION	DATE	DRAW
D	EN-02-0906	09/04/02'	TOM
E	EN-04-0211	02/20/04'	TONY
F	EN-05-1101	11/01/05'	TONY

Ordering Information:

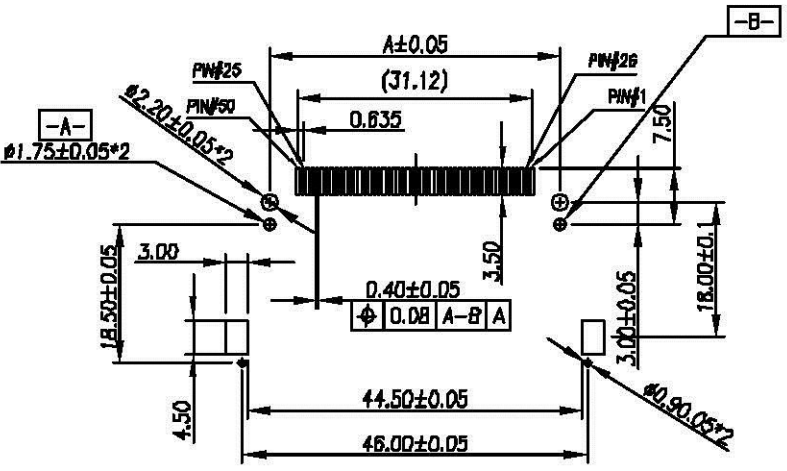
CFC M D -4 5 X XX W 0 1 X
 TYPE 1(SLIM) Pin No. 50 Position Color: W--White. DIM-A 0-38.74 1-40.16
 0 : TIN/LEAD 90/10 1 : REVERSE TYPE
 T : LEAD FREE TIN 100% 0 : STANDOFF 0mm

Contact Area Plating:

15--15U" Gold Plating.
 30--30U" Gold Plating.

SPECIFICATIONS:

- HOUSING : High Temperature Plastic, UL 94V-0
- CONTACT : Copper Alloys
- VOLTAGE RATING : 100VAC
- CURRENT RATING : 0.5A
- CONTACT RESISTANCE:40 m Ohm max.
- INSULATION RESISTANCE:1000M Ohm min.
- DIELECTRIC STRENGTH : 500VAC/1min
- OPERATION TEMPERATURE : -40°C~85°C



P.C.B Layout

DIMENSION IN mm (Inch)		PROD. SPEC	All Connectors	
TOLERANCE UNLESS OTHERWISE SPECIFIED		SP0028	www.allconnectors.com	
.X ± 0.30	.X' ± 1"	APPROVE	CF CARD CONN. TYPE 1	CUSTOMER DRAWING
.XX ± 0.20	.X' ± 0.5"	CHECK	STAND-OFF 0.0mm REVERSE TYPE	
.XXX ± 0.10	.XX' ± 0.25"	DRAW	FILE NO. KFP-D28	DWG NO. CFCMD-45XXXW01X
SIZE A4		PROJ.	SHEET 2 / 2	
		SCALE 1:1	REV F	