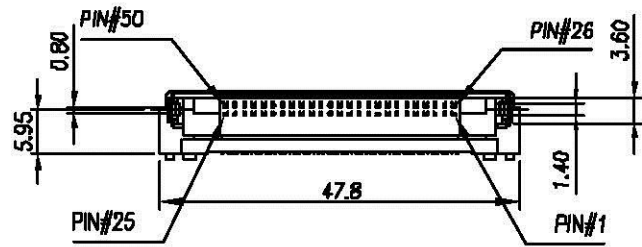
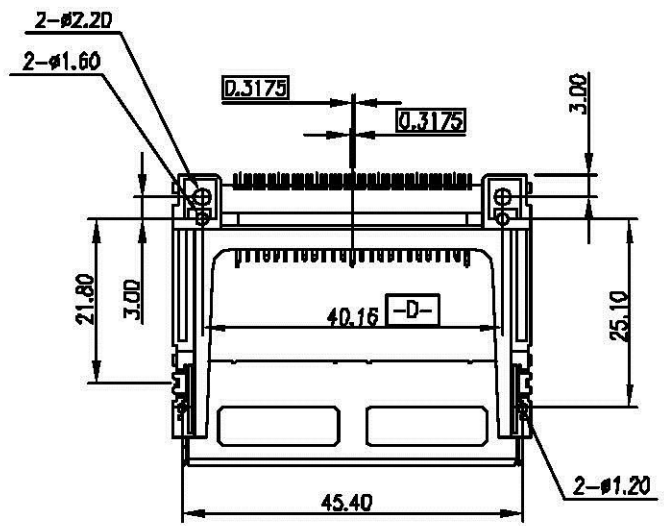
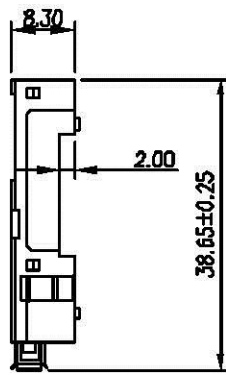
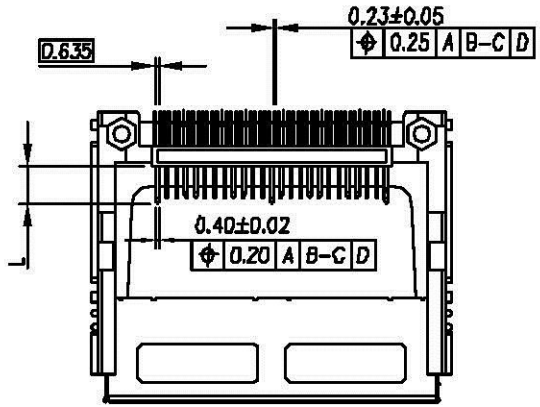
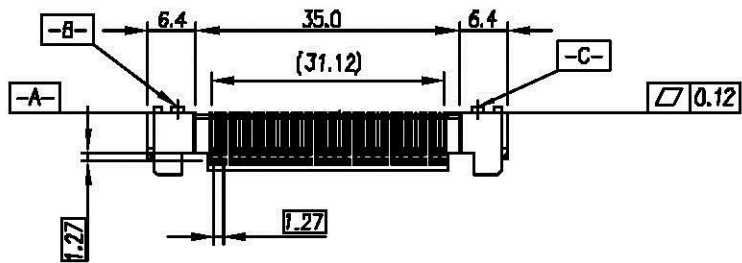
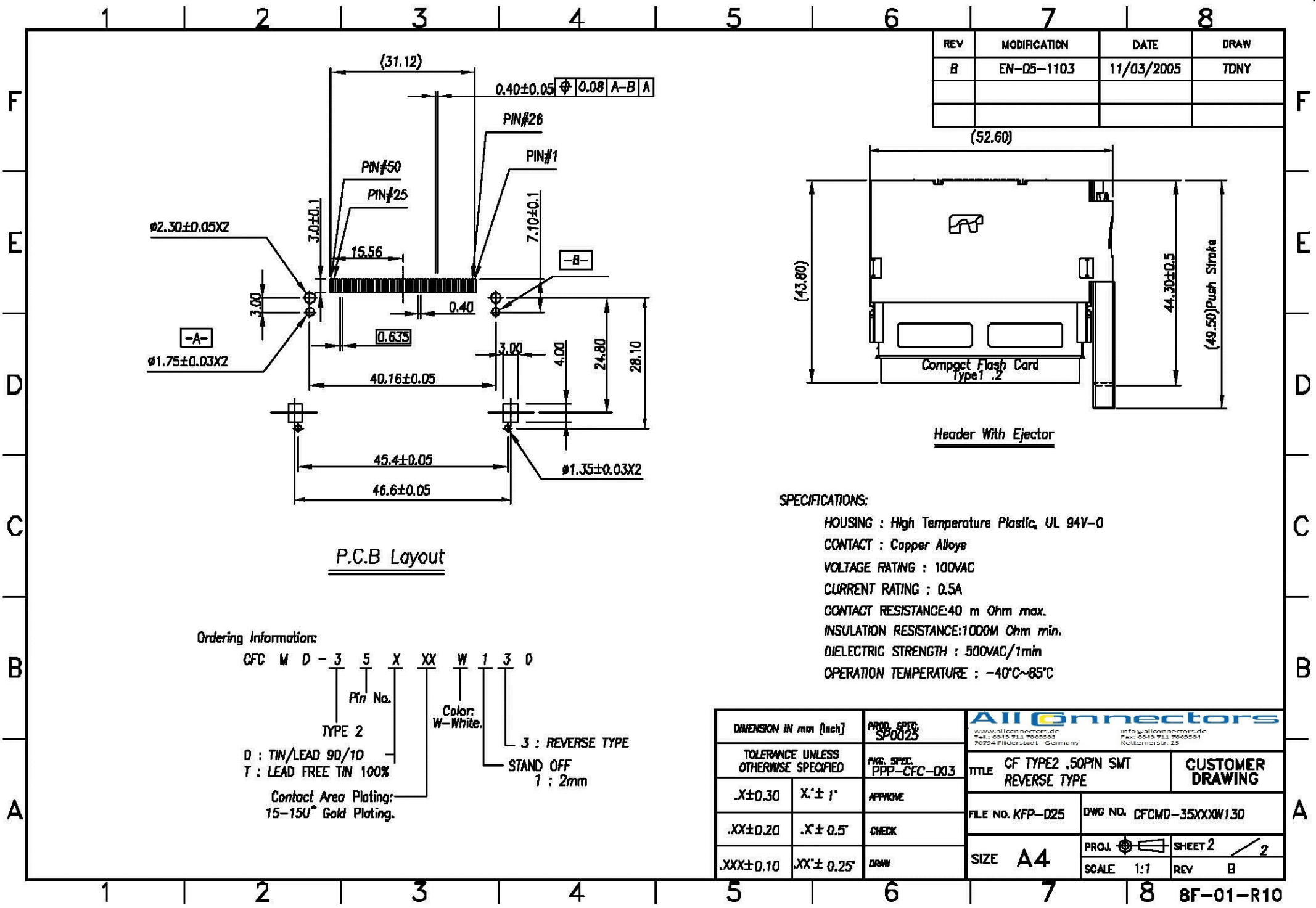


Pin Type	Interface Dim L	Pin Type	REV	MODIFICATION	DATE	DRAW
Detect	3.5 mm	25,26	B	EN-05-1103	11/03/2005	TONY
General	4.25 mm	All Other Pins				
Power	5.0 mm	1,13,38,50				



DIMENSION IN mm [Inch]		PROD. SPEC. SFD025
TOLERANCE UNLESS OTHERWISE SPECIFIED		FIG. SPEC PPP-CFC-0D3
.X±0.30	.X'± 1"	APPROVE
.XX±0.20	.X'± 0.5"	CHECK
.XXX±0.10	.XX'± 0.25"	DRAW

All Connectors	
www.allconnectors.de	Info@allconnectors.de
Telefon +49 11 2098940	Fax +49 11 2098941
www.allconnectors.com	Info@allconnectors.com
www.allconnectors.cn	Info@allconnectors.cn
TITLE CF TYPE2 .50PIN SMT REVERSE TYPE CUSTOMER DRAWING	
FILE NO. KFP-025	DWG NO. CFCMD-35XXW130
SIZE A4	PROJ. SHEET 1 / 2
SCALE 1:1	REV B



REV	MODIFICATION	DATE	DRAW
B	EN-05-1103	11/03/2005	TDNY

P.C.B Layout

Header With Ejector

- SPECIFICATIONS:**
- HOUSING : High Temperature Plastic, UL 94V-0
  - CONTACT : Copper Alloys
  - VOLTAGE RATING : 100VAC
  - CURRENT RATING : 0.5A
  - CONTACT RESISTANCE:40 m Ohm max.
  - INSULATION RESISTANCE:1000M Ohm min.
  - DIELECTRIC STRENGTH : 500VAC/1min
  - OPERATION TEMPERATURE : -40°C~85°C

**Ordering Information:**

CFC M D - 3 5 X XX W 1 3 0

Pin No.

TYPE 2

Color: W-White.

3 : REVERSE TYPE

STAND OFF 1 : 2mm

D : TIN/LEAD 90/10

T : LEAD FREE TIN 100%

Contact Area Plating:  
15-15U\* Gold Plating.

DIMENSION IN mm [Inch]		PROD. SPEC. SP0025	All Connectors	
TOLERANCE UNLESS OTHERWISE SPECIFIED		FIG. SPEC PPP-CFC-003	<small>www.allconnectors.de Tel.: 0049 5191 9000500 70724 Pflüch, Germany</small> <small>info@allconnectors.de Fax: 0049 5191 9000501 Hollmannstr. 25</small>	
.X±0.30	.X'± 1'	APPROVE	TITLE CF TYPE2 .50PIN SMT REVERSE TYPE	CUSTOMER DRAWING
.XX±0.20	.X'± 0.5'	CHECK	FILE NO. KFP-D25	DWG NO. CFCMD-35XXXW130
.XXX±0.10	.XX'± 0.25'	DRAW	SIZE A4	PROJ.  SHEET 2 / 2
			SCALE 1:1	REV B