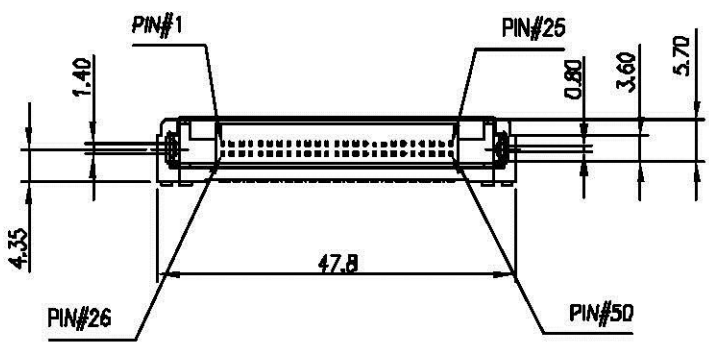
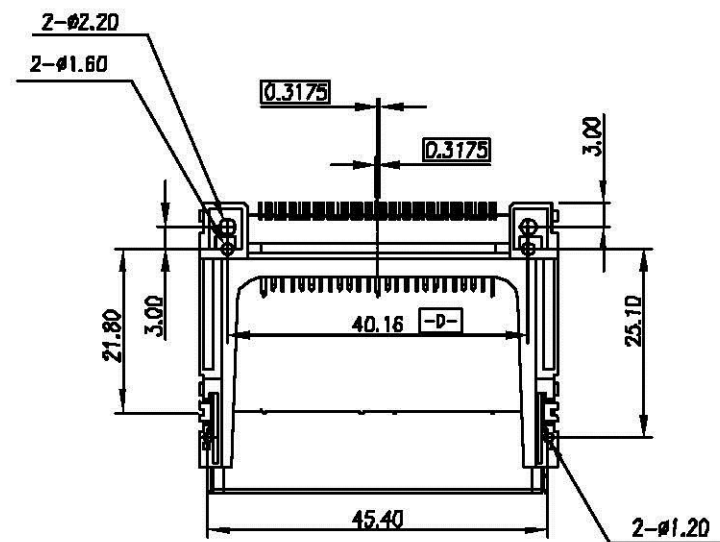
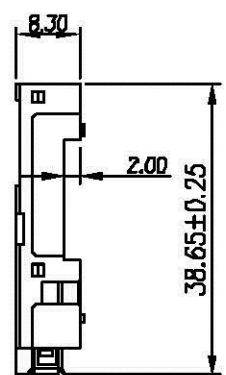
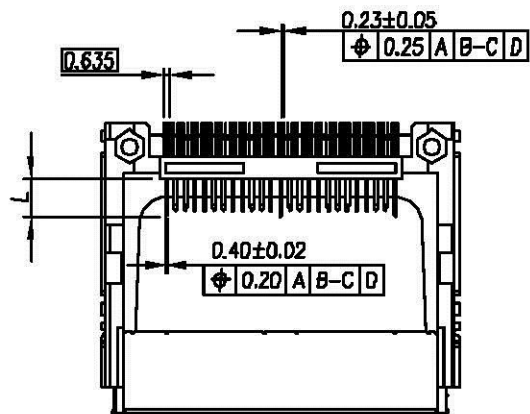
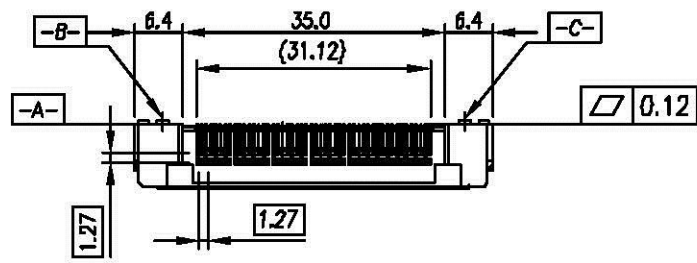


Pin Type	Interface Dim L	Pin Type	REV	MODIFICATION	DATE	DRAW
Detect	3.5 mm	25,26				
General	4.25 mm	All Other Pins				
Power	5.0 mm	1,13,38,50				

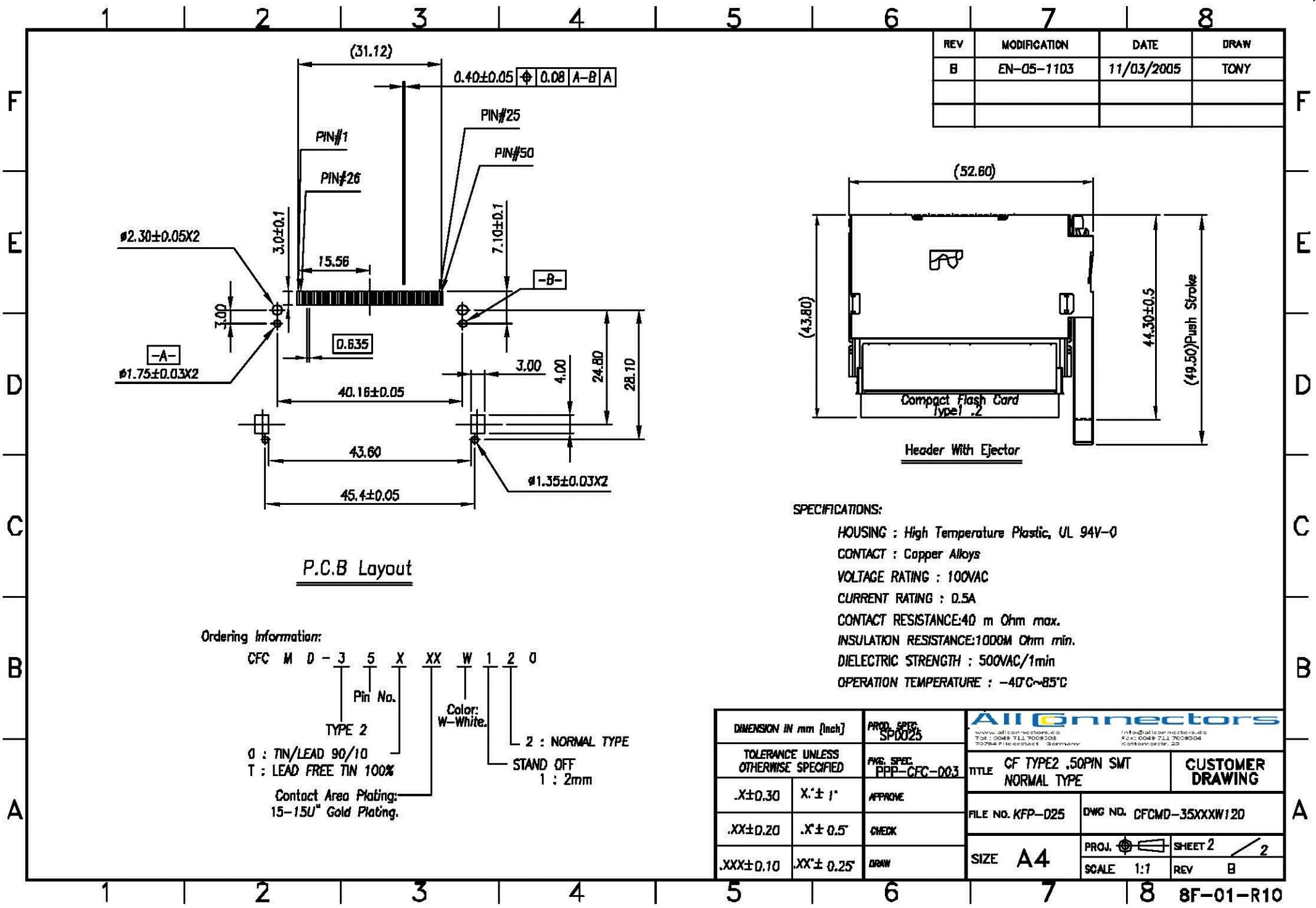


DIMENSION IN mm [Inch]		PROD. SPEC.
TOLERANCE UNLESS OTHERWISE SPECIFIED		SP0025
.X±0.30	.X'± 1'	FIG. SPEC.
.XX±0.20	.X'± 0.5'	PPP-CFC-003
.XXX±0.10	.XX'± 0.25'	APPROVE
		CHECK
		DRAW

All Connectors
www.allconnectors.de
 Tel: +49 7141 211 210 100
 72078 Ludwigszell, Germany

Info@allconnectors.de
Responsible for technical
 Customer service

TITLE		CUSTOMER DRAWING
CF TYPE2 .50PIN SMT NORMAL TYPE		
FILE NO. KFP-D25	DWG NO. CFCMD-35XXXW120	
SIZE A4	PROJ. SHEET 1 / 2	SCALE 1:1 REV A



REV	MODIFICATION	DATE	DRAW
B	EN-05-1103	11/03/2005	TONY

P.C.B. Layout

Ordering Information:

CFC M D - J 5 X XX W 1 2 0

Pin No. Color: W-White.

TYPE 2 2 : NORMAL TYPE

0 : TIN/LEAD 90/10 1 : 2mm

T : LEAD FREE TIN 100% STAND OFF

Contact Area Plating: 15-15U" Gold Plating.

SPECIFICATIONS:

- HOUSING : High Temperature Plastic, UL 94V-0
- CONTACT : Copper Alloys
- VOLTAGE RATING : 100VAC
- CURRENT RATING : 0.5A
- CONTACT RESISTANCE:40 m Ohm max.
- INSULATION RESISTANCE:1000M Ohm min.
- DIELECTRIC STRENGTH : 500VAC/1min
- OPERATION TEMPERATURE : -40°C~85°C

DIMENSION IN mm [Inch]		PROD. SPEC. SP0025		
TOLERANCE UNLESS OTHERWISE SPECIFIED		FWG. SPEC. PPP-CFC-003	<small>www.allconnectors.de Tel: 0049 711 7009303 70784 Filzschmitt, Germany</small>	
.X±0.30	X'± 1'	APPROVE	TITLE CF TYPE2 .50PIN SMT NORMAL TYPE	CUSTOMER DRAWING
.XX±0.20	.X'± 0.5'	CHECK	FILE NO. KFP-D25	DWG NO. CFCMD-35XXXW120
.XXX±0.10	.XX'± 0.25'	DRAW	SIZE A4	PROJ. SHEET 2 / 2
			SCALE 1:1	REV B