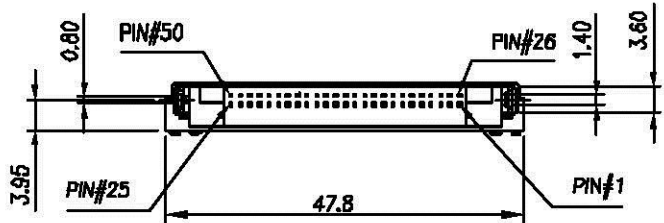
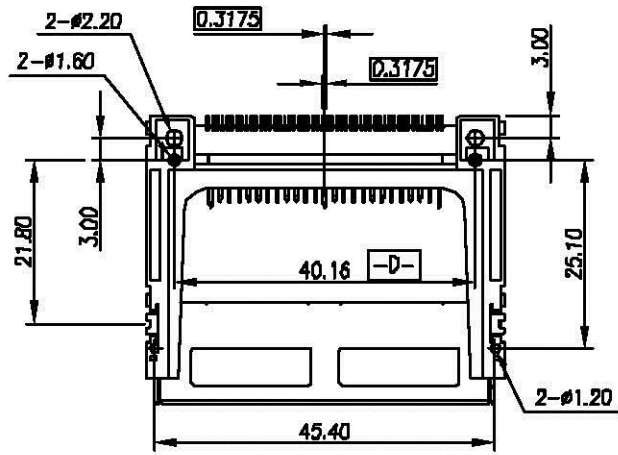
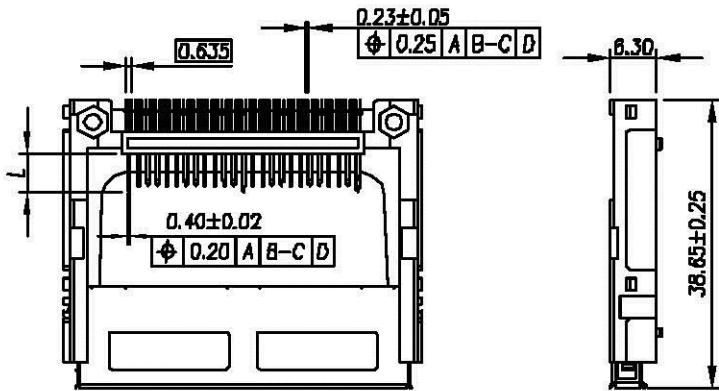
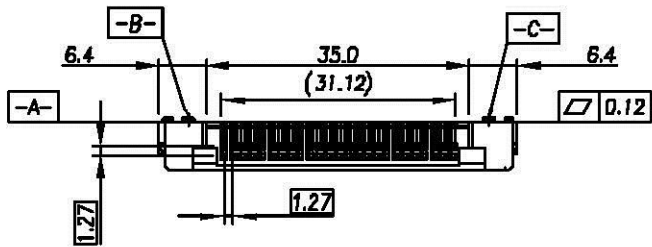
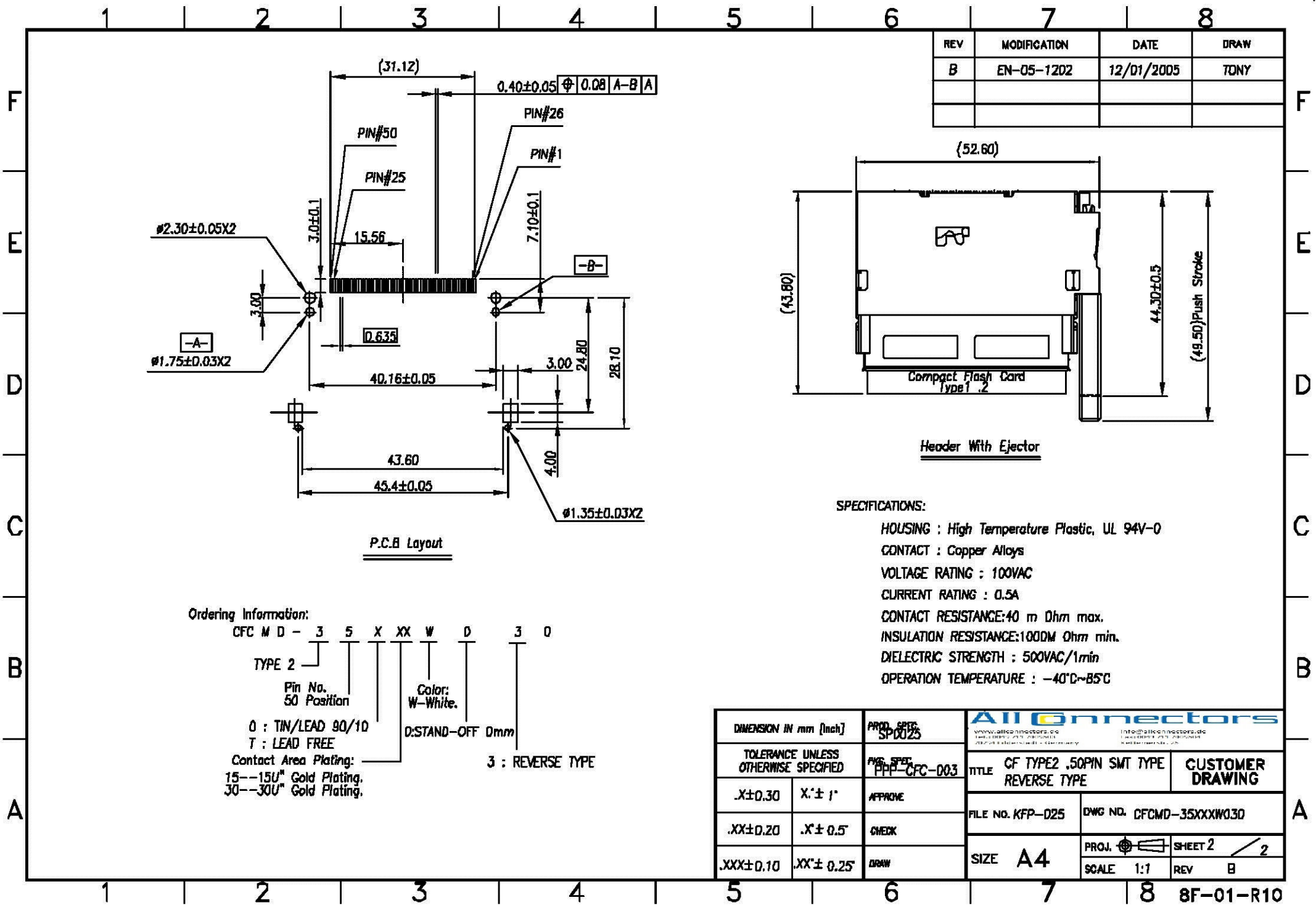


Pin Type	Interface Dim L	Pin Type	REV	MODIFICATION	DATE	DRAW
Detect	3.5 mm	25,26	B	EN-05-1202	12/01/2005	TONY
General	4.25 mm	All Other Pins				
Power	5.0 mm	1,13,38,50				



DIMENSION IN mm [Inch]		PROD. SPEC. SP0025	All Connectors	
TOLERANCE UNLESS OTHERWISE SPECIFIED		FIG. SPEC. KFP-CFC-003	<small>ALL CONNECTORS CORPORATION 400 SOUTH BRIDGEMAN ROAD WILMINGTON, DE 19808-1715 TEL: 302.436.1100 FAX: 302.436.1101 WWW.ALLCONNECTORS.COM</small>	
.X±0.30	X'± 1"	APPROVE	TITLE	CF TYPE2 .50PIN SMT TYPE REVERSE TYPE
.XX±0.20	.X'± 0.5"	CHECK	FILE NO. KFP-D25	DWG NO. CFCMD-35XXXW030
.XXX±0.10	.XX'± 0.25"	DRAW	SIZE A4	PROJ. SHEET 1 / 2
			SCALE 1:1	REV B



REV	MODIFICATION	DATE	DRAW
B	EN-05-1202	12/01/2005	TONY

P.C.B. Layout

Header With Ejector

- SPECIFICATIONS:**
- HOUSING : High Temperature Plastic, UL 94V-0
 - CONTACT : Copper Alloys
 - VOLTAGE RATING : 100VAC
 - CURRENT RATING : 0.5A
 - CONTACT RESISTANCE:40 m Ohm max.
 - INSULATION RESISTANCE:1000M Ohm min.
 - DIELECTRIC STRENGTH : 500VAC/1min
 - OPERATION TEMPERATURE : -40°C~85°C

Ordering Information:
 CFC M D - 3 5 X XX W D 3 0
 TYPE 2
 Pin No. 50 Position
 Color: W-White.
 D:STAND-OFF 0mm
 0 : TIN/LEAD 90/10
 T : LEAD FREE
 Contact Area Plating:
 15--15U" Gold Plating,
 30--30U" Gold Plating.
 3 : REVERSE TYPE

DIMENSION IN mm (Inch)		PROD. SPEC. SP0025	All Connectors	
TOLERANCE UNLESS OTHERWISE SPECIFIED		FIG. SPEC. PFP-CFC-003	www.allconnectors.de Info@allconnectors.de	
.X±0.30	.X'± 1"	APPROVE	TITLE	CUSTOMER DRAWING
.XX±0.20	.X'± 0.5"	CHECK	CF TYPE2 .50PIN SMT TYPE REVERSE TYPE	
.XXX±0.10	.XX'± 0.25"	DRAW	FILE NO. KFP-D25	DWG NO. CFCMD-35XXXW030
SIZE A4		PROJ.	SHEET 2 / 2	
		SCALE 1:1	REV B	