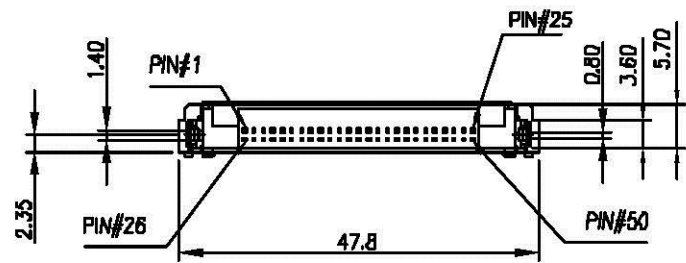
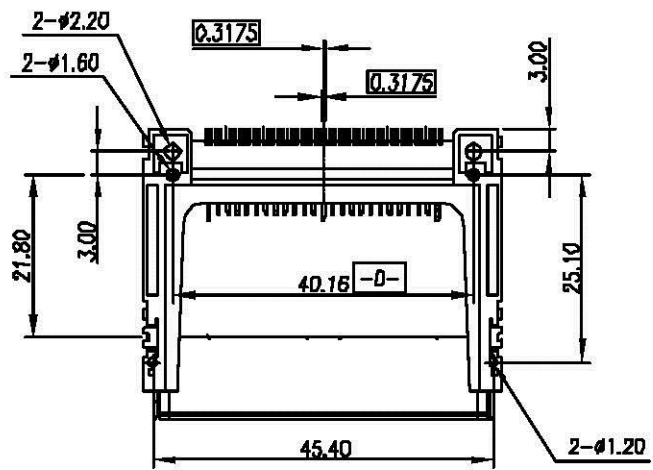
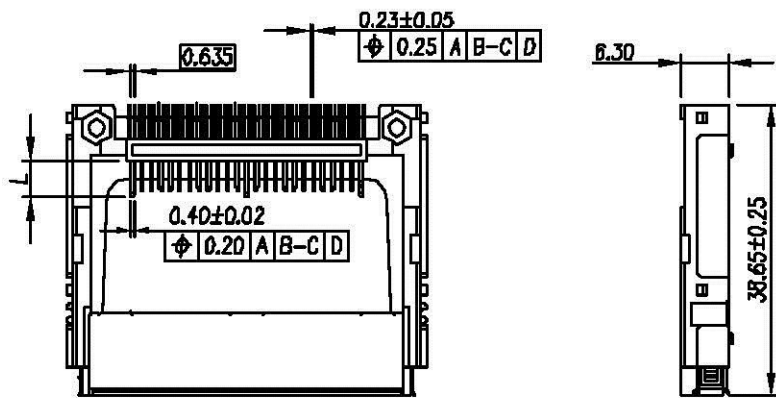
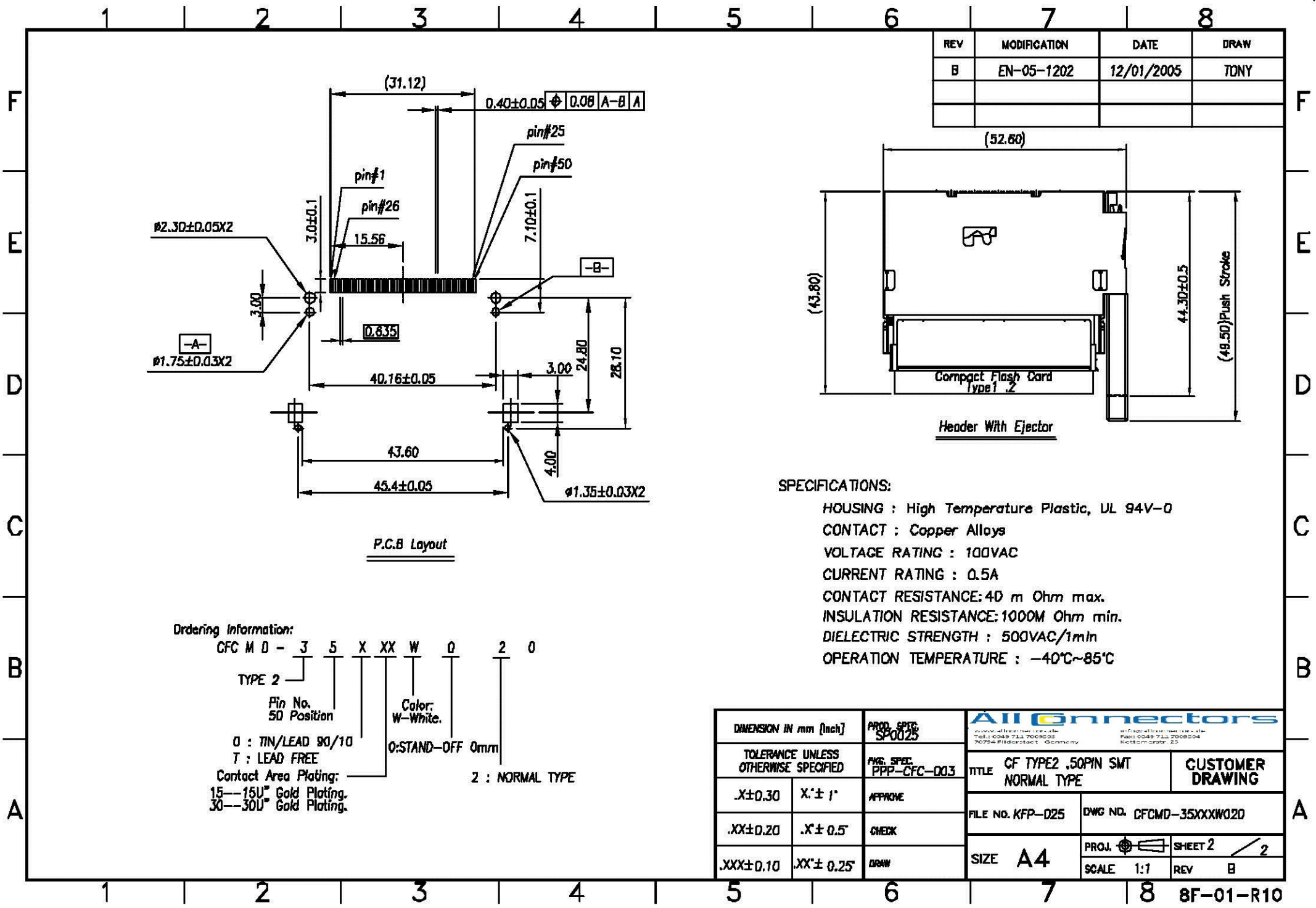


Pin Type	Interface Dim L	Pin Type	REV	MODIFICATION	DATE	DRAW
Detect	3.5 mm	25,26	B	EN-05-1202	12/D1/2005	TONY
General	4.25 mm	All Other Pins				
Power	5.0 mm	1,13,38,50				



DIMENSION IN mm [Inch]		PROD. SPEC. SP0025	All Connectors INTERNATIONAL ELECTRONICS CORP. 1400 BROADVIEW AVENUE ROSELAND, NJ 07068	
TOLERANCE UNLESS OTHERWISE SPECIFIED		FIG. SPEC. PPP-CFC-003	TITLE CF TYPE2 .50PIN SMT NORMAL TYPE	
.X±0.30	.X'± 1"	APPROVE	FILE NO. KFP-025	CUSTOMER DRAWING
.XX±0.20	.X'± 0.5"	CHECK	DWG NO. CFCMD-35XXXW020	
.XXX±0.10	.XX'± 0.25"	DRAW	SIZE A4	PROJ. SHEET 1 / 2
			SCALE 1:1	REV B



REV	MODIFICATION	DATE	DRAW
B	EN-05-1202	12/01/2005	TONY

P.C.B Layout

Header With Ejector

SPECIFICATIONS:

- HOUSING : High Temperature Plastic, UL 94V-0
- CONTACT : Copper Alloys
- VOLTAGE RATING : 100VAC
- CURRENT RATING : 0.5A
- CONTACT RESISTANCE: 40 m Ohm max.
- INSULATION RESISTANCE: 1000M Ohm min.
- DIELECTRIC STRENGTH : 500VAC/1min
- OPERATION TEMPERATURE : -40°C~85°C

Ordering Information:

CFC M D - 3 5 X XX W 0 2 0

TYPE 2

Pin No.
50 Position

Color:
W-White.

0: STAND-OFF 0mm

2: NORMAL TYPE

0: TIN/LEAD 90/10
T: LEAD FREE

Contact Area Plating:
15--15U Gold Plating.
30--30U Gold Plating.

DIMENSION IN mm [Inch]		PROD. SPEC SP0025	All Connectors	
TOLERANCE UNLESS OTHERWISE SPECIFIED		PWG. SPEC PPP-CFC-003	<small>www.allconnectors.com Tel: 0049 7143 700804 70756 Pfladerbach, Germany</small> <small>in: 0049 7143 700804 Fax: 0049 7143 700804 Kottbusstr. 25</small>	
.X±0.30	X'±1'	APPROVE	TITLE CF TYPE2 .50PIN SMT NORMAL TYPE	CUSTOMER DRAWING
.XX±0.20	.X'±0.5'	CHECK	FILE NO. KFP-D25	DWG NO. CFCMD-35XXXW020
.XXX±0.10	.XX'±0.25'	DRAW	SIZE A4	PROJ. SHEET 2 / 2
			SCALE 1:1	REV B