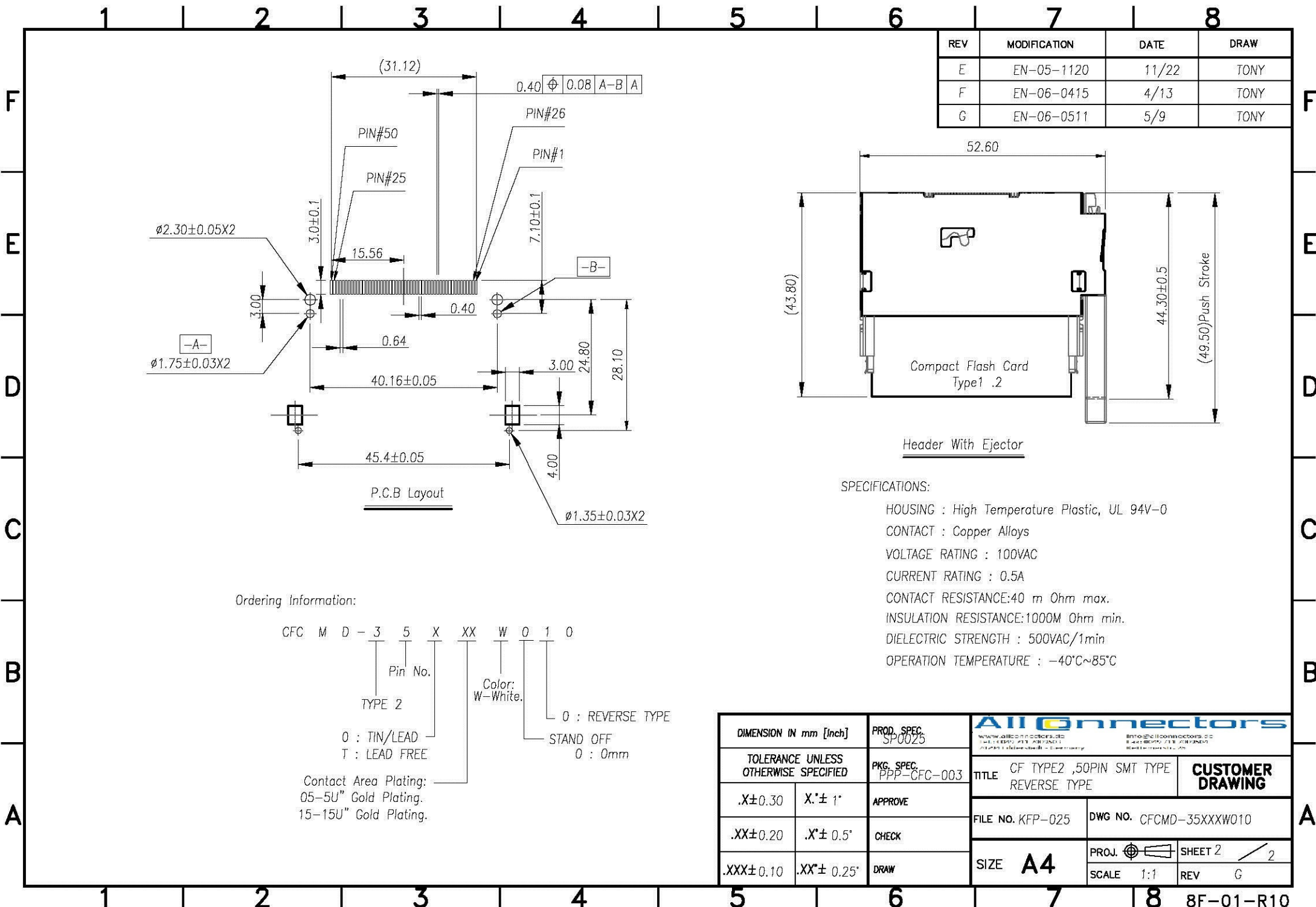


REV	MODIFICATION	DATE	DRAW
E	EN-05-1120	11/22	TONY
F	EN-06-0415	4/13	TONY
G	EN-06-0511	5/9	TONY

Pin Type	Interface Dim L	Pin Type
Detect	3.5 mm	25,26
General	4.25 mm	All Other Pins
Power	5.0 mm	1,13,38,50

DIMENSION IN mm [Inch]		PROD. SPEC. SP0025	All Connectors www.allconnectors.com Tel: 0049 711 7009508 Fax: 0049 711 7009504 E-Mail: sales@all-connect.com	
TOLERANCE UNLESS OTHERWISE SPECIFIED		PKG. SPEC. PPP-CFC-003	TITLE	CUSTOMER DRAWING
.X±0.30	X.*± 1°	APPROVE	CF TYPE2 ,50PIN SMT TYPE REVERSE TYPE	
.XX±0.20	.X.*± 0.5°	CHECK	FILE NO. KFP-025	DWG NO. CFCMD-35XXXW010
.XXX±0.10	.XX.*± 0.25°	DRAW	SIZE <b>A4</b>	PROJ.  SHEET 1 / 2
			SCALE 1:1	REV G



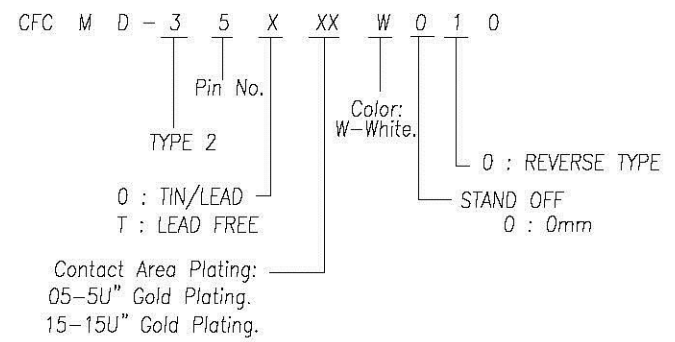
REV	MODIFICATION	DATE	DRAW
E	EN-05-1120	11/22	TONY
F	EN-06-0415	4/13	TONY
G	EN-06-0511	5/9	TONY

Header With Ejector

SPECIFICATIONS:

- HOUSING : High Temperature Plastic, UL 94V-0
- CONTACT : Copper Alloys
- VOLTAGE RATING : 100VAC
- CURRENT RATING : 0.5A
- CONTACT RESISTANCE: 40 m Ohm max.
- INSULATION RESISTANCE: 1000M Ohm min.
- DIELECTRIC STRENGTH : 500VAC/1min
- OPERATION TEMPERATURE : -40°C~85°C

Ordering Information:



DIMENSION IN mm [Inch]		PROD. SPEC SP0025	All Connectors www.allconnectors.de Info@allconnectors.de +49 488 900 21 30 10 00 1 +49 488 900 21 30 10 00 1 www.allconnectors.de	
TOLERANCE UNLESS OTHERWISE SPECIFIED		PKG. SPEC. PPP-CFC-003	TITLE CF TYPE2 ,50PIN SMT TYPE REVERSE TYPE	CUSTOMER DRAWING
.X±0.30	X.*± 1"	APPROVE	FILE NO. KFP-025	DWG NO. CFCMD-35XXXW010
.XX±0.20	.X.*± 0.5"	CHECK	SIZE <b>A4</b>	PROJ.  SHEET 2 / 2
.XXX±0.10	.XX.*± 0.25"	DRAW	SCALE 1:1	REV G