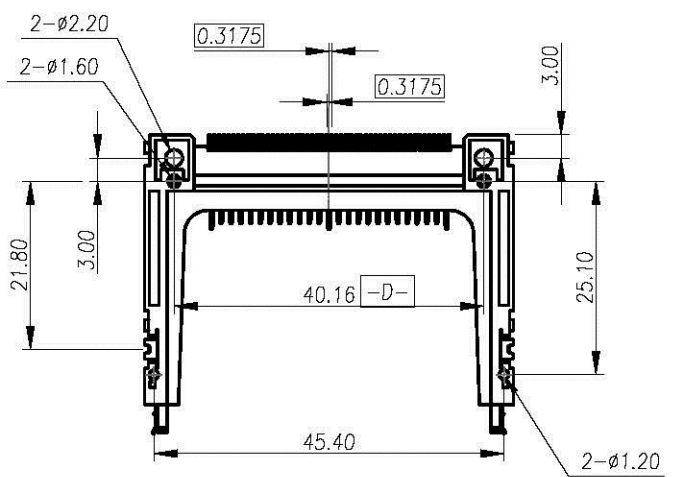


Pin Type	Interface Dim L	Pin Type	REV	MODIFICATION	DATE	DRAW
Detect	3.5 mm	25,26	D	EN-03-0407	4/4	TONY
General	4.25 mm	All Other Pins	E	EN-05-0104	1/4/2005	TONY
Power	5.0 mm	1,13,38,50	F	EN-06-0614	95/06/14	TERENCE



Ordering Information:

CFC M D - 3 5 X XX W 0 0 0

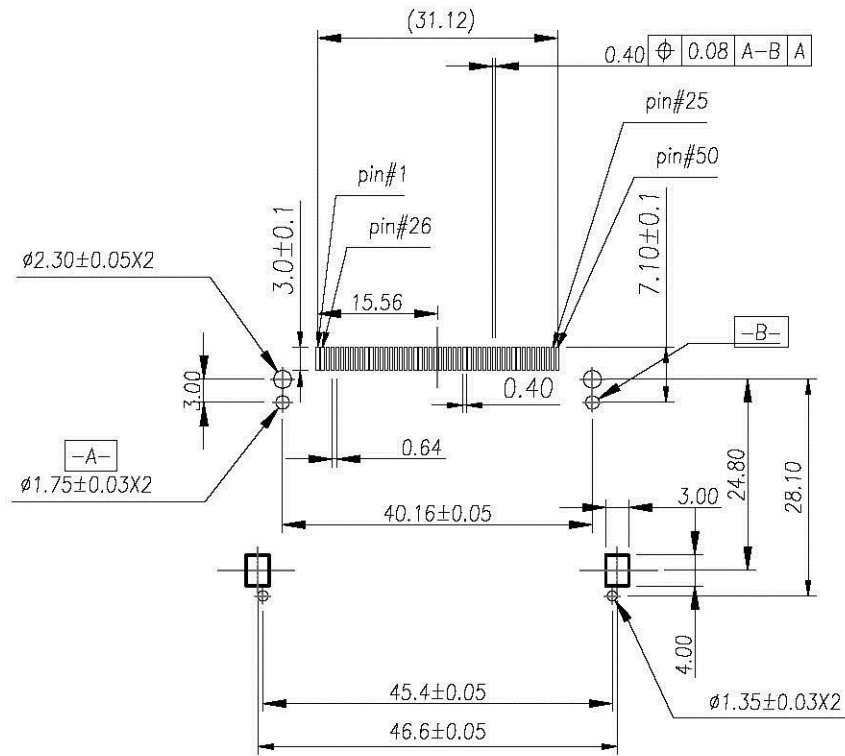
Pin No. TYPE 2 Color: W-White. 0 : NORMAL TYPE

0 : TIN/LEAD 90/10 STAND OFF 0 : 0mm

T : LEAD FREE TIN 100%

Contact Area Plating:
 15-15U" Gold Plating.
 05-05U" Gold Plating.

DIMENSION IN mm [Inch]		PROD. SPEC. SP0025	All Connectors	
TOLERANCE UNLESS OTHERWISE SPECIFIED		PKG. SPEC. PPP-CFC-003	TITLE	CUSTOMER DRAWING
.X±0.30	X.*± 1"	APPROVE	CF TYPE2 ,50PIN SMT NORMAL TYPE	
.XX±0.20	.X.*± 0.5"	CHECK	FILE NO. KFP-025	DWG NO. CFCMD-35XXXW000
.XXX±0.10	.XX.*± 0.25"	DRAW	SIZE A4	PROJ. SHEET 1 / 2
			SCALE 1:1	REV F



P.C.B Layout

Ordering Information:

CFC M D - 3 5 X XX W 0 0 0

Pin No. Color: W-White. 0 : NORMAL TYPE

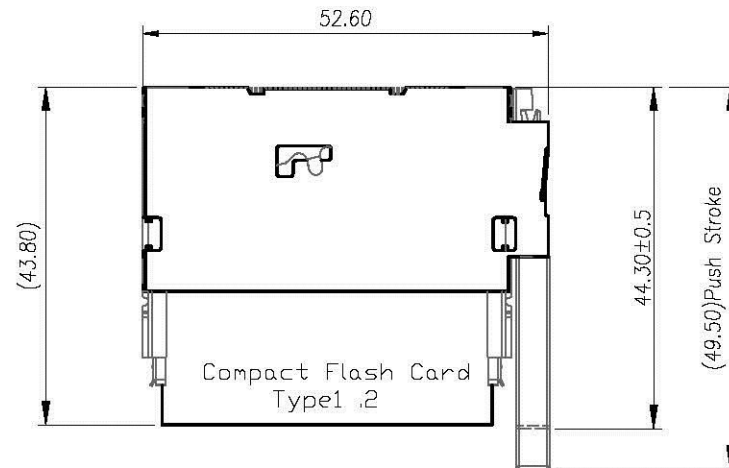
TYPE 2 STAND OFF 0 : 0mm

0 : TIN/LEAD 90/10

T : LEAD FREE TIN 100%

Contact Area Plating:
 15-15U" Gold Plating.
 05-05U" Gold Plating.

REV	MODIFICATION	DATE	DRAW
D	EN-03-0407	4/4	TONY
E	EN-05-0104	1/4/2005	TONY
F	EN-06-0614	95/06/14	TERENCE



Header With Ejector

SPECIFICATIONS:

HOUSING : High Temperature Plastic, UL 94V-0

CONTACT : Copper Alloys

VOLTAGE RATING : 100VAC

CURRENT RATING : 0.5A

CONTACT RESISTANCE:40 m Ohm max.

INSULATION RESISTANCE:1000M Ohm min.

DIELECTRIC STRENGTH : 500VAC/1min

OPERATION TEMPERATURE : -40°C~85°C

DIMENSION IN mm [Inch]		PROD. SPEC. SP0025	All Connectors	
TOLERANCE UNLESS OTHERWISE SPECIFIED		PKG. SPEC. PPP-CFC-003	CF TYPE2 ,50PIN SMT NORMAL TYPE	
.X±0.30	X."± 1"	APPROVE	CUSTOMER DRAWING	
.XX±0.20	.X."± 0.5"	CHECK	FILE NO. KFP-025	DWG NO. CFCMD-35XXXW000
.XXX±0.10	.XX."± 0.25"	DRAW	SIZE A4	PROJ. SHEET 2 / 2
			SCALE 1:1	REV F