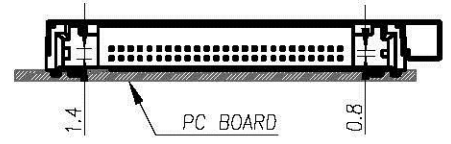
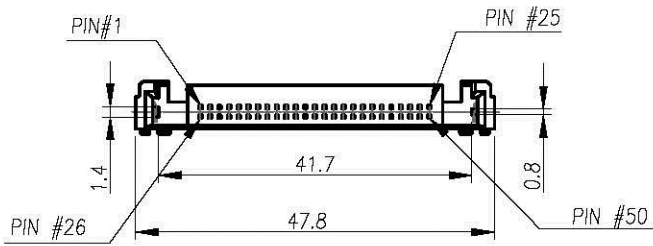
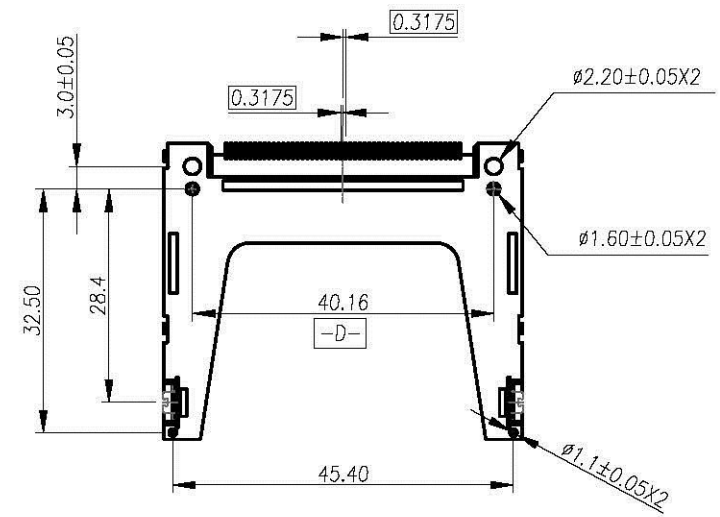
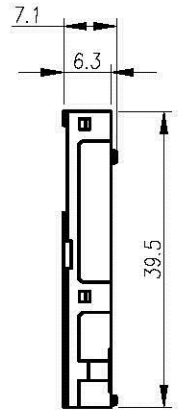
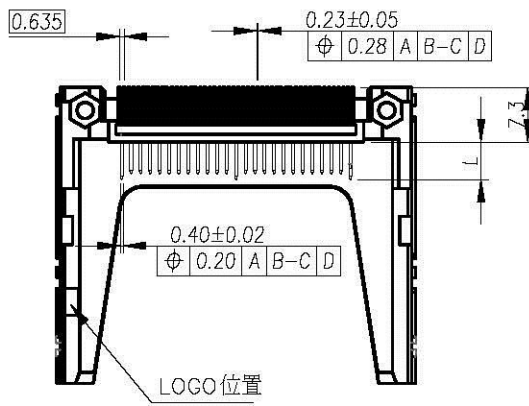
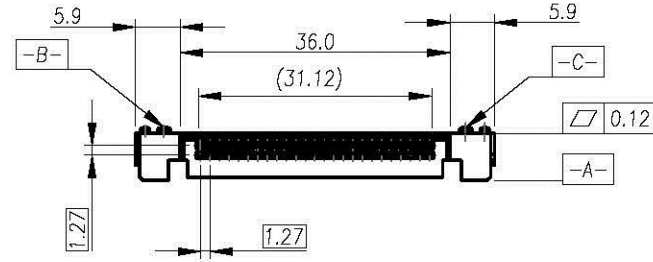


1 2 3 4 5 6 7 8

| Pin Type | Interface Dim L | Pin Type | REV | MODIFICATION | DATE | DRAW |
|----------|-----------------|----------------|-----|--------------|----------|------|
| Detect | 3.5 mm | 25,26 | E | EN-01-0402 | 04.01.02 | JACK |
| General | 4.25 mm | All Other Pins | F | EN-03-0415 | 04.18.03 | TONY |
| Power | 5.0 mm | 1,13,38,50 | G | EN-05-0611 | 05.06.03 | TONY |

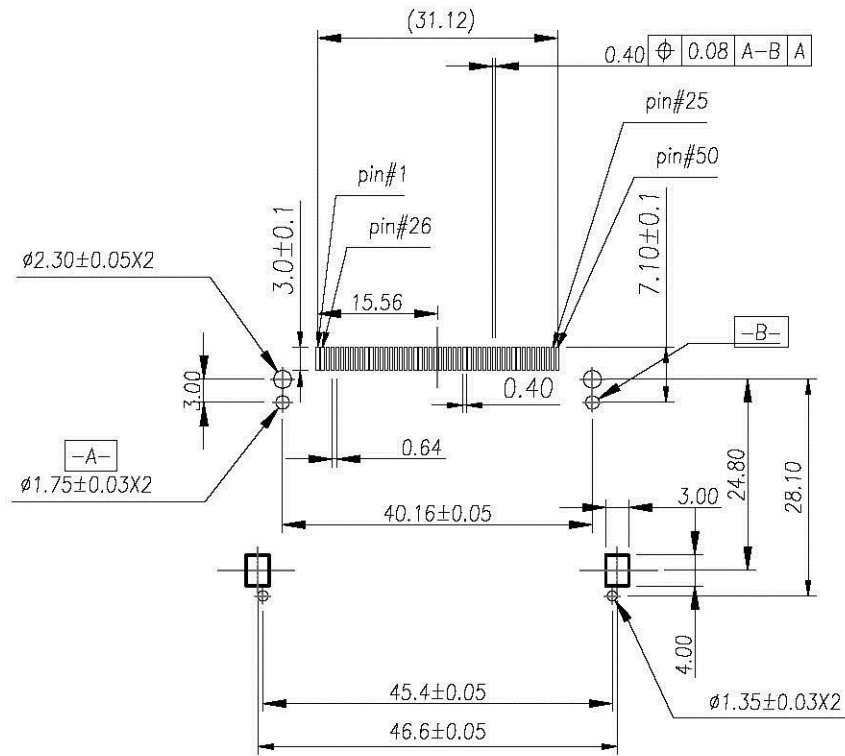
F
E
D
C
B
A



1 2 3 4 5 6 7 8 8F-01-R10

| | | | | |
|--------------------------------------|--------------|---------------------------|--|-------------------------|
| DIMENSION IN mm [Inch] | | PROD. SPEC. SP0013 | | |
| TOLERANCE UNLESS OTHERWISE SPECIFIED | | PKG. SPEC. PPP-CFC-003 | TITLE CF Card Conn.SMT Type2 50pin NORMAL TYPE | CUSTOMER DRAWING |
| .X±0.30 | X.*± 1' | APPROVE | FILE NO. KFP-013 | DWG NO. CFCMD-25XXXW000 |
| .XX±0.20 | .X.*± 0.5' | CHECK | SIZE A4 | PROJ. SHEET 1 / 2 |
| .XXX±0.10 | .XX.*± 0.25' | DRAW | SCALE 1:1 | REV G |

F
E
D
C
B
A



P.C.B Layout

Ordering Information:

CFC M D - 3 5 X XX W 0 0 0

Pin No. Color: W-White. 0 : NORMAL TYPE

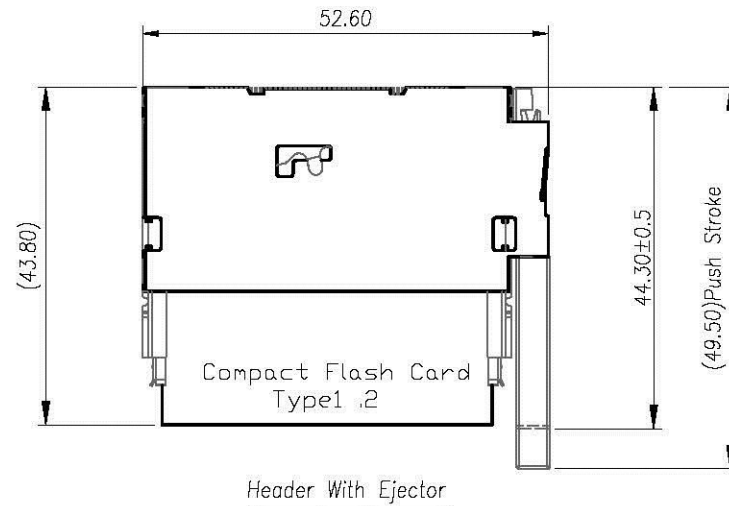
TYPE 2 STAND OFF 0 : 0mm

0 : TIN/LEAD 90/10

T : LEAD FREE TIN 100%

Contact Area Plating:
 15-15U" Gold Plating.
 05-05U" Gold Plating.

| REV | MODIFICATION | DATE | DRAW |
|-----|--------------|----------|---------|
| D | EN-03-0407 | 4/4 | TONY |
| E | EN-05-0104 | 1/4/2005 | TONY |
| F | EN-06-0614 | 95/06/14 | TERENCE |



Header With Ejector

SPECIFICATIONS:

HOUSING : High Temperature Plastic, UL 94V-0

CONTACT : Copper Alloys

VOLTAGE RATING : 100VAC

CURRENT RATING : 0.5A

CONTACT RESISTANCE:40 m Ohm max.

INSULATION RESISTANCE:1000M Ohm min.

DIELECTRIC STRENGTH : 500VAC/1min

OPERATION TEMPERATURE : -40°C~85°C

| DIMENSION IN mm [Inch] | | PROD. SPEC. SP0025 | All Connectors | |
|--------------------------------------|--------------|---------------------------|---------------------------------------|--------------------|
| TOLERANCE UNLESS OTHERWISE SPECIFIED | | PKG. SPEC. PPP-CFC-003 | TITLE CF TYPE2 ,50PIN SMT NORMAL TYPE | |
| .X±0.30 | X."± 1" | APPROVE | FILE NO. KFP-025 | CUSTOMER DRAWING |
| .XX±0.20 | .X."± 0.5" | CHECK | DWG NO. CFCMD-35XXXW000 | |
| .XXX±0.10 | .XX."± 0.25" | DRAW | SIZE A4 | PROJ. SHEET 2 / 2 |
| | | | SCALE 1:1 | REV F |