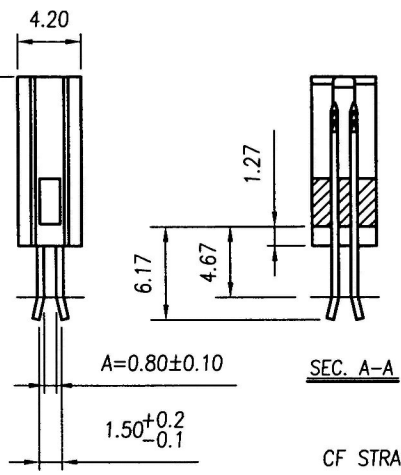
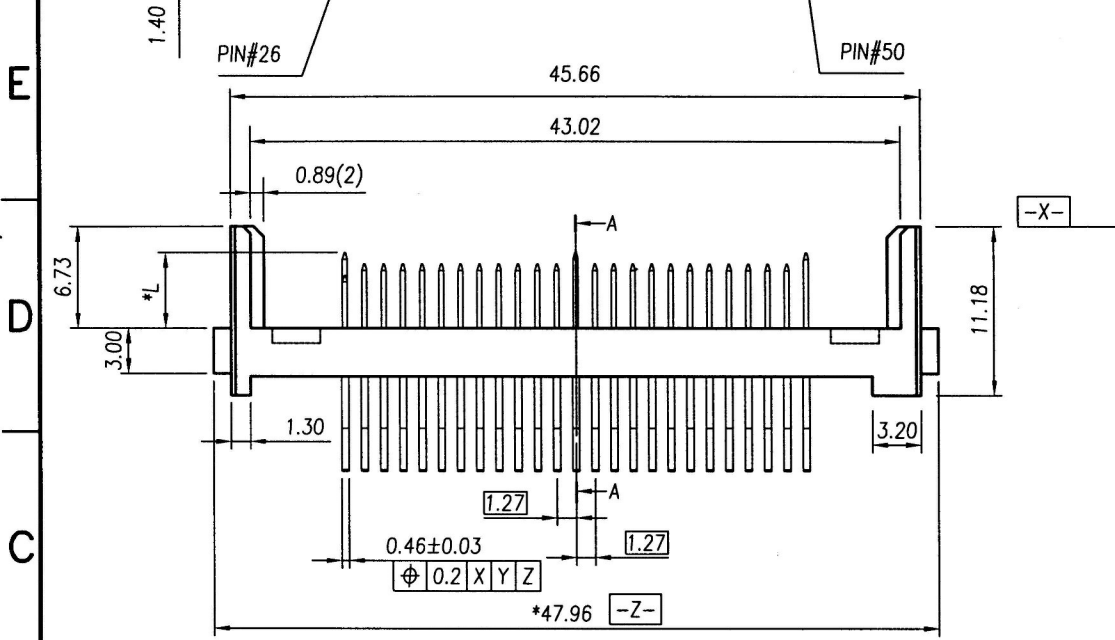


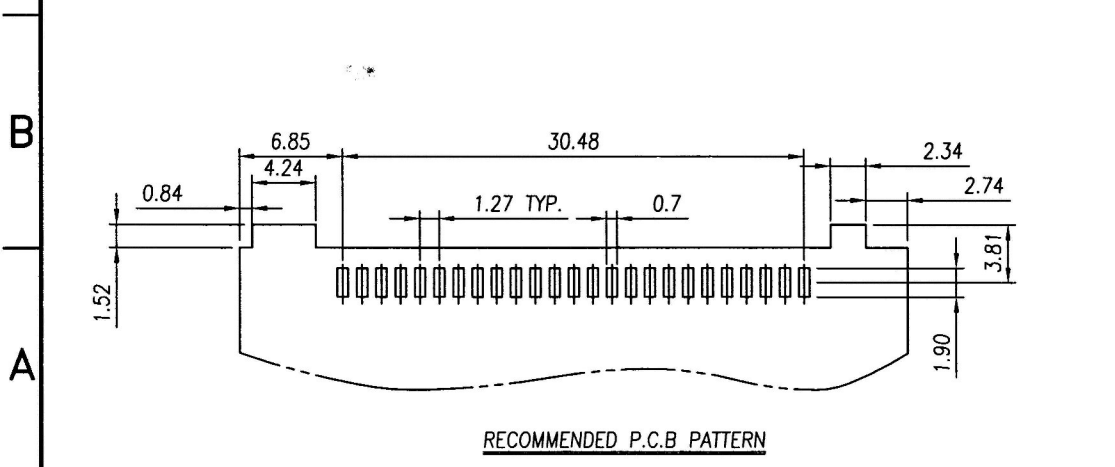
Pin Type	Interface Dim L	Pin Type	REV	MODIFICATION	DATE	DRAW
Detect	3.5 mm	25,26				
General	4.25 mm	All Other Pins				
Power	5.0 mm	1,13,38,50				



**SPECIFICATIONS:**  
 HOUSING : High Temperature Plastic, UL 94V-0  
 CONTACT : Copper Alloys  
 VOLTAGE RATING : 100VAC  
 CURRENT RATING : 0.5A  
 CONTACT RESISTANCE:40 mΩ max.  
 INSULATION RESISTANCE:1000M Ω max.  
 DIELECTRIC STRENGTH : 500VAC/1min  
 OPERATION TEMPERATURE : -40°C~85°C

CFCMC- 6 50 XX B 00 3  
 Dim-A  
 3-0.80 mm

Contact Area Plating:  
 01-Gold Flash Gold Plating.  
 05-5U" Gold Plating.  
 15-15U" Gold Plating.



DIMENSION IN mm [Inch]		PROD. SPEC. SP0049	Allconnectors www.allconnectors.de Tel.: 0049 711 7009503 70794 Filderstadt - Germany info@allconnectors.de Fax: 0049 711 7009504 Kettenerstr. 25	
TOLERANCE UNLESS OTHERWISE SPECIFIED		PKG. SPEC.	TITLE CF STRADDLE MOUNT (A TYPE)	CUSTOMER DRAWING
.X±0.30	X'± 1'	APPROVE	FILE NO. KFP-049	DWG NO. CFCMC-650XXB003
.XX±0.20	.X'± 0.5"	CHECK	SIZE A4	PROJ. SHEET 1 / 1
.XXX±0.10	.XX'± 0.25"	DRAW	SCALE 2:1	REV A

1 2 3 4 5 6 7 8

F  
E  
D  
C  
B  
A

RQR-51