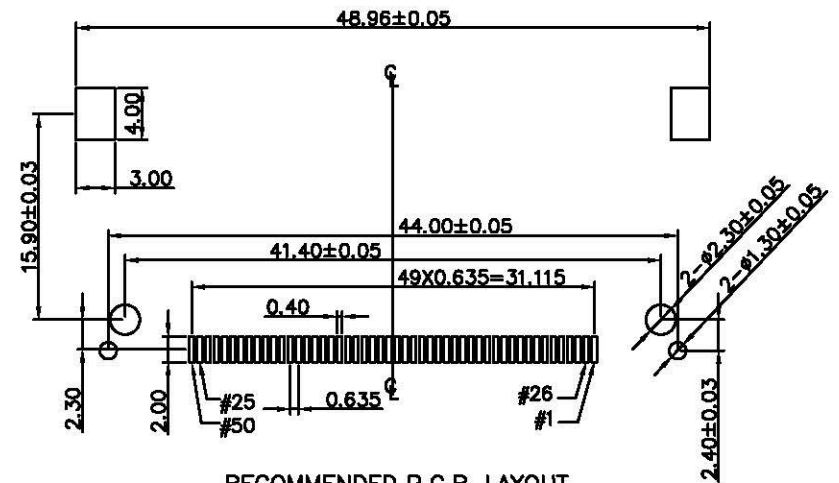
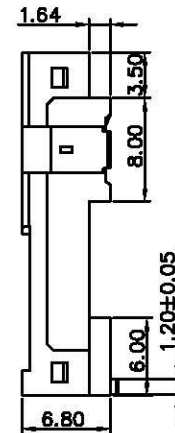
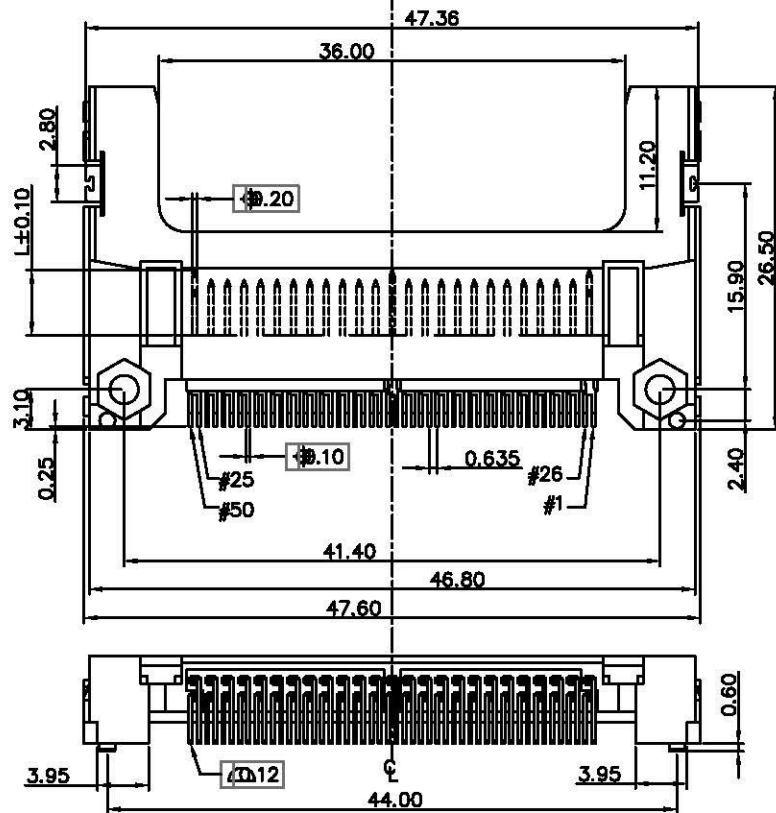


NOTES
MATERIAL
 Insulator: Glass Reinforced LCP UL94V-0
 Contacts: Brass
 Mount ear: Brass;Tin/Lead plated overall
CONTACT PLATING
 Contact area: Gold flash plating over 40u" Nickel
 Solder tail area:100u" Tin/Lead plating over 40u" Nickel



RECOMMENDED P.C.B. LAYOUT

POWER	5.00mm	1,13,38,50
GENERAL	4.25mm	all other pins
DETECT	3.50mm	25,26
Pin type	Interface Dim. L	Pin No.

RoHS Compliant

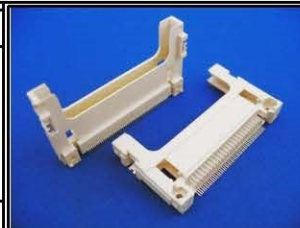
All Connectors

www.allconnectors.de
 Tel.: 0049 711 7009503
 70734 Filsterstact - Germany

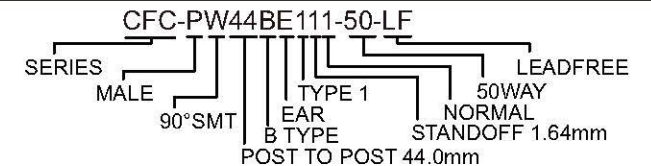
info@allconnectors.de
 Fax: 0049 711 7009504
 Kettnerstr. 25

DRAWING BY CY
 CHECKED BY GENIUS
 UNIT / mm SCALE 1 : 1
 DATE
 SIZE A4 PPROJECTION

TOLERANCES ARE
 X ±
 .X ± 0.30
 .XX ± 0.20
 .XXX ±
 ANG ±



ORDER INFORMATION



DESCRIPTION: CFA TYPE 1 (STAND OFF 1.64mm) SLOT HEADER(STANDARD)