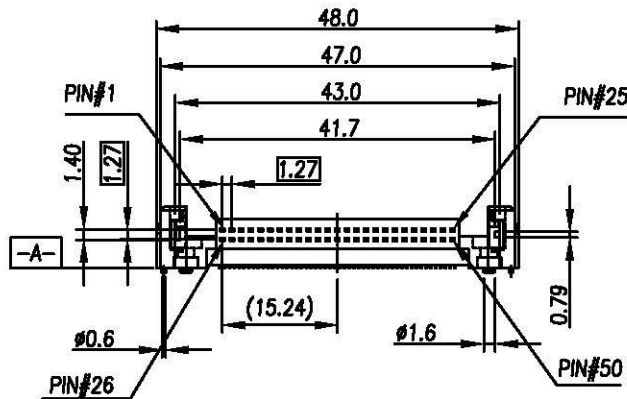
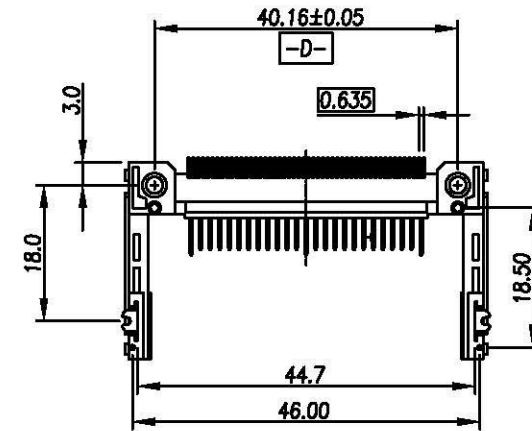
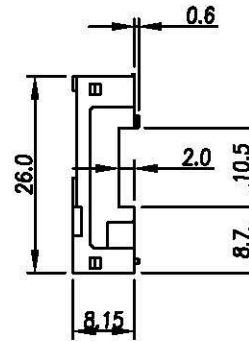
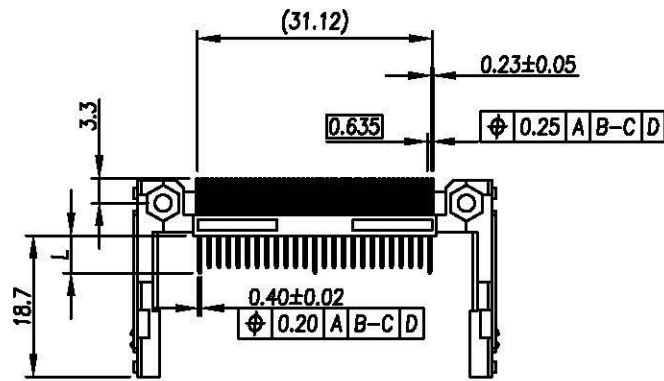


Pin Type	Interface Dim L	Pin Type	REV	MODIFICATION	DATE	DRAW
Detect	3.5 mm	25,26	B	EN-05-0810	2005/08/11	TONY
General	4.25 mm	All Other Pins	C	EN-10-0418	2010/04/09	TONY
Power	5.0 mm	1,13,38,50				



RoHS Compliant

TOLERANCES ARE

**All Connectors**

DRAWING BY CY

X ±

CHECKED BY GENIUS

X ±

UNIT / mm

SCALE 1 : 1

.XX ±

DATE

.XXX ±

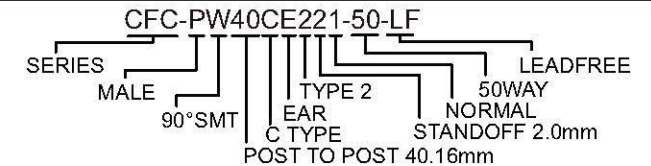
SIZE A4

P PROJECTION

ANG ±



ORDER INFORMATION



DESCRIPTION: CF CARD CONN. TYPE1,2 STAND-OFF 2.0mm NORMAL TYPE

www.allconnectors.de

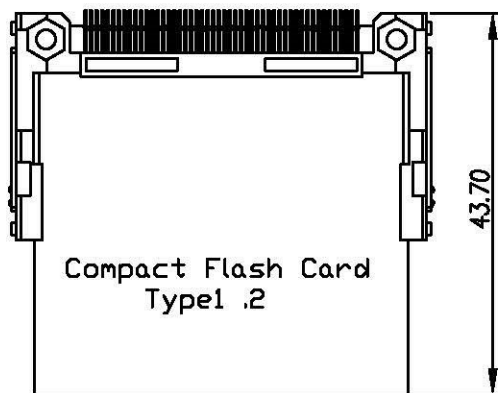
info@allconnectors.de

Tel.: 0049 711 7009503

Fax: 0049 711 7009504

#0751 Hilderstadt - Germany

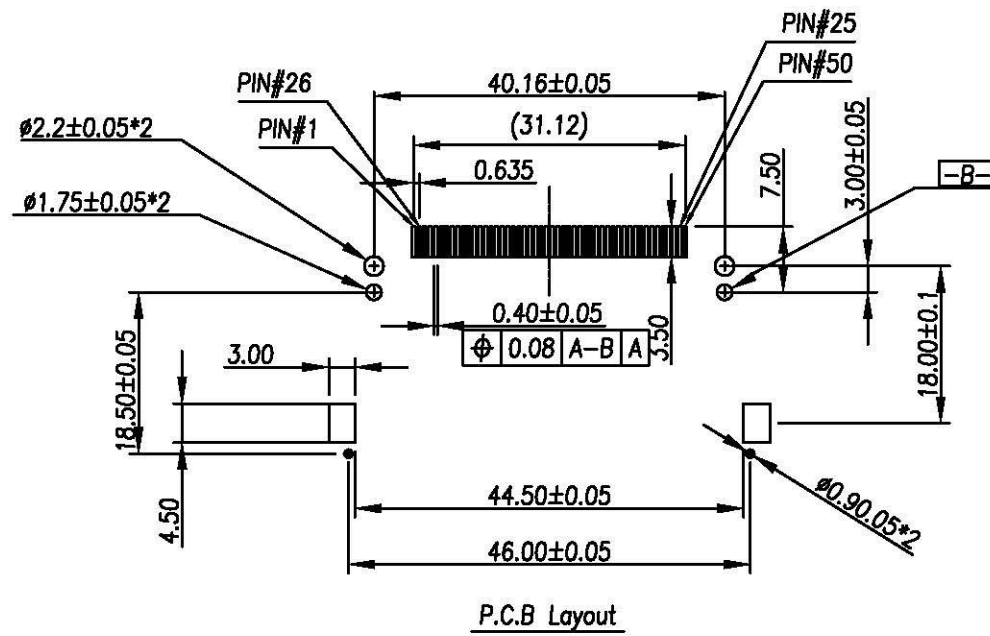
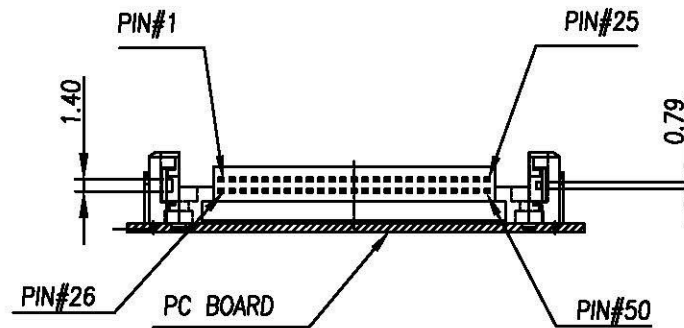
Kettnerstr. 25



CARD INSERTION

**SPECIFICATIONS:**

- HOUSING : High Temperature Plastic, UL 94V-0
- CONTACT : Copper Alloys
- VOLTAGE RATING : 100VAC
- CURRENT RATING : 0.5A
- CONTACT RESISTANCE: 40 mΩ max.
- INSULATION RESISTANCE: 1000M Ω min.
- DIELECTRIC STRENGTH : 500VAC/1min
- OPERATION TEMPERATURE : -40°C~85°C



**RoHS Compliant**

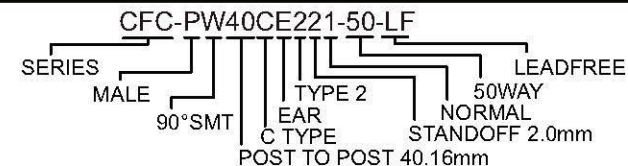
**All Connectors**

www.allconnectors.de info@allconnectors.de  
Tel.: 0049 711 7009500 Fax: 0049 711 7009504  
#07941110erstadt - Germany Kettenstr. 25

DRAWING BY CY		TOLERANCES ARE
CHECKED BY GENIUS		
UNIT / mm	SCALE 1 : 1	X ±
DATE		X ±
SIZE A4	P PROJECTION	.XX ±
		.XXX ±
		ANG ±



**ORDER INFORMATION**



DESCRIPTION: CF CARD CONN. TYPE1,2 STAND-OFF 2.0mm NORMAL TYPE