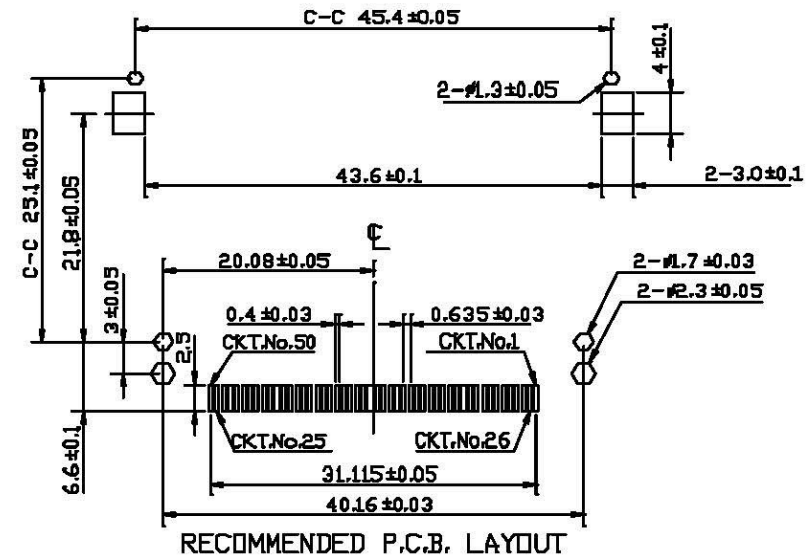
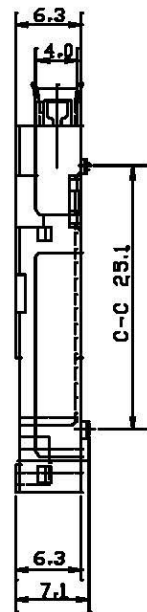
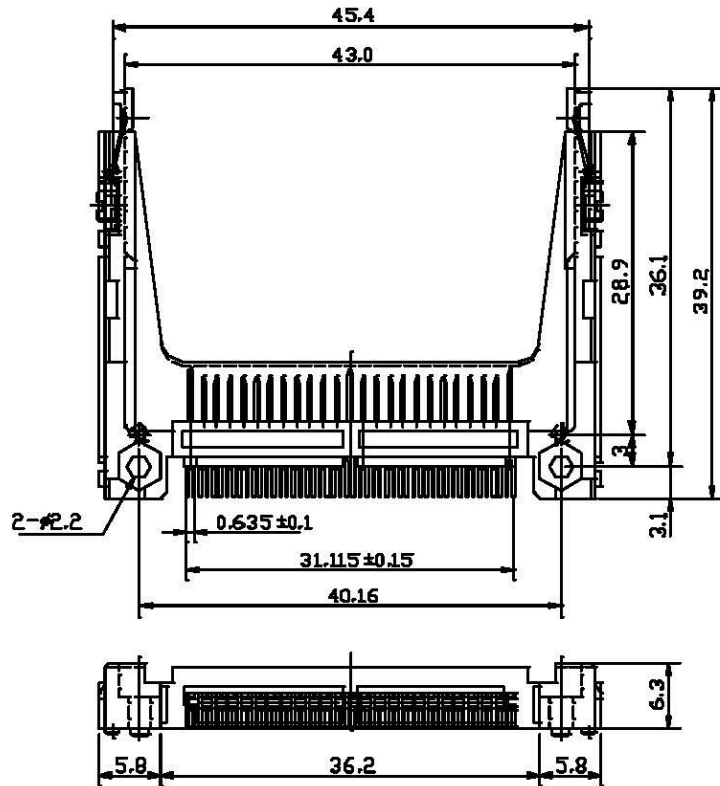


NOTES:  
 MATERIAL  
 Insulator: Glass Reinforced LCP UL94V-0  
 Contacts: Brass Alloy  
 Mount ear: Brass ; Tin plated overall  
 CONTACT PLATING  
 Contact area: Gold plating over 40u" Nickel  
 Solder tail area: 100u" tin plating over 40u" Nickel



**All connectors**

www.allconnectors.de  
 Tel.: 0049 711 7009503  
 70754 Tilderstadt - Germany

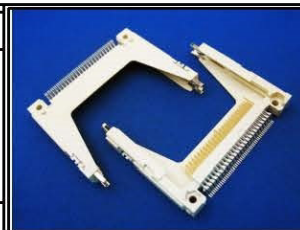
info@allconnectors.de  
 Fax: 0049 711 7009504  
 Kettenstr. 25

**RoHS Compliant**

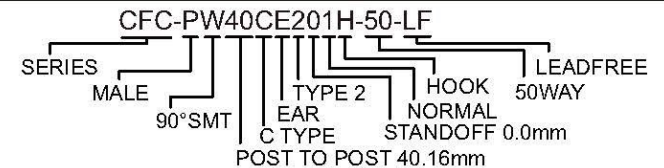
DRAWING BY CY  
 CHECKED BY GENIUS  
 UNIT / mm SCALE 1 : 1  
 DATE  
 SIZE A4 PROJECTION

TOLERANCES ARE

X ±  
 X ±  
 .XX ±  
 .XXX ±  
 ANG ±



ORDER INFORMATION



DESCRIPTION: CF CARD HEADER SMT 50P TYPE II (B0)