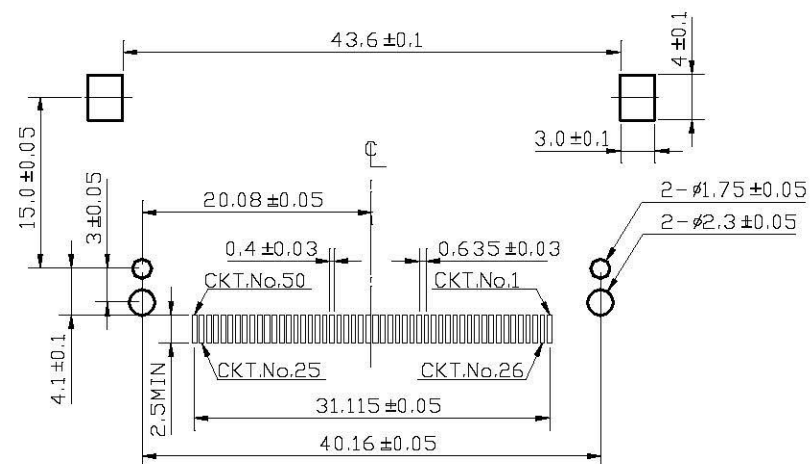
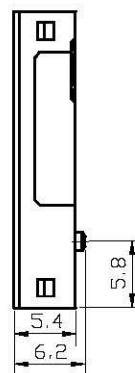
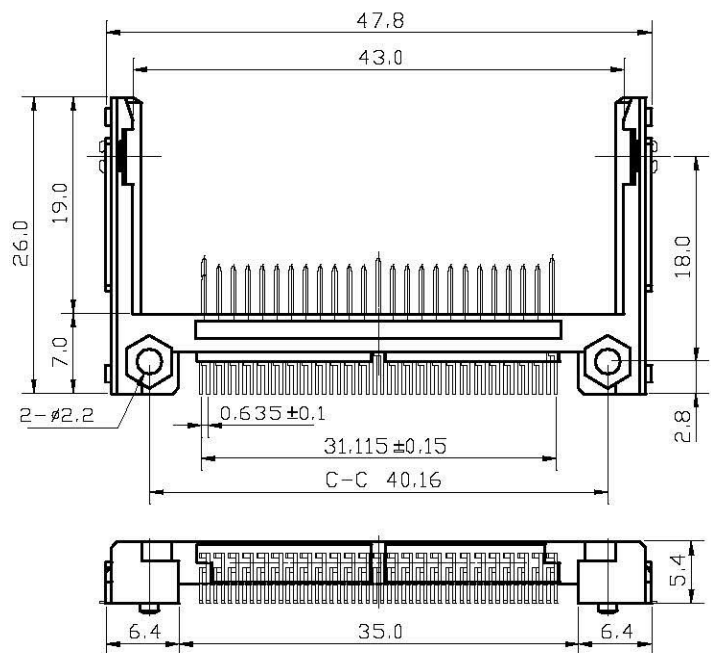
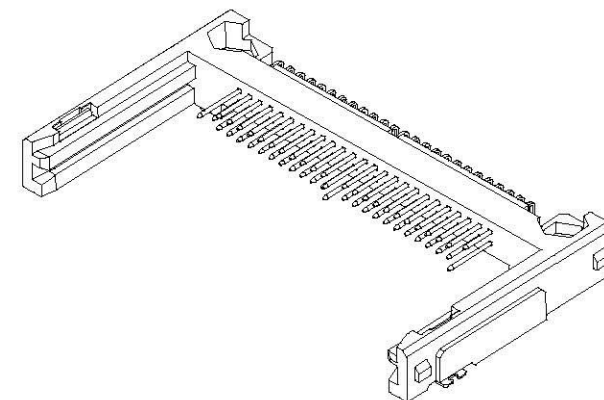


NOTES:
 MATERIAL
 Insulator: Glass Reinforced LCP UL94V-0
 Contacts: Brass Alloy
 Mount ear: Brass ; Tin plated overall
 CONTACT PLATING
 Contact area: Gold plating over 40u" Nickel
 Solder tail area: 100u" tin plating over 40u" Nickel



All connectors

www.allconnectors.de
 Tel.: 0049 711 7009303
 70734 Hilderstadt - Germany

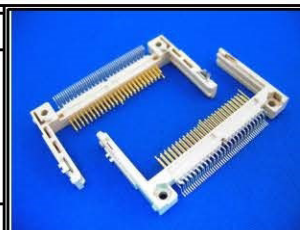
info@allconnectors.de
 Fax: 0049 711 7009304
 Kettnerstr. 25

RoHS Compliant

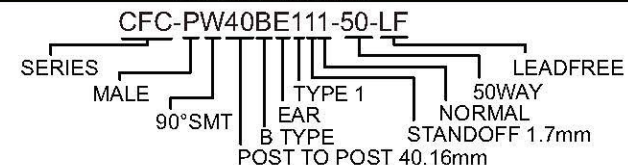
DRAWING BY CY
 CHECKED BY GENIUS
 UNIT / mm SCALE 1 : 1
 DATE
 SIZE A4 PROJECTION

TOLERANCES ARE

X. \pm
 X \pm
 .XX \pm
 .XXX \pm
 ANG \pm



ORDER INFORMATION



DESCRIPTION: CF CARD HEADER SMT 50P TYPE I (GO)