

1 2 3 4 5 6 7 8 9 0

J  
I  
H  
G  
F  
E  
D  
C  
B  
A

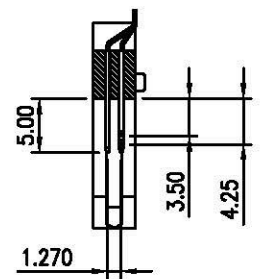
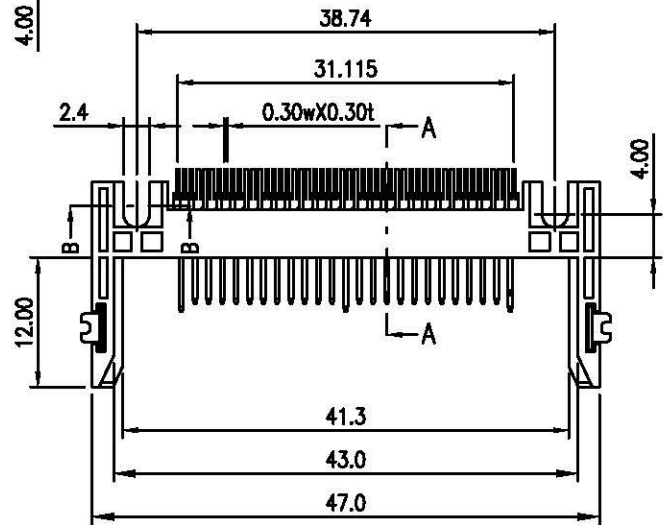
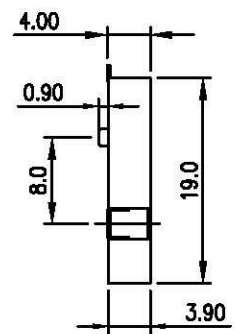
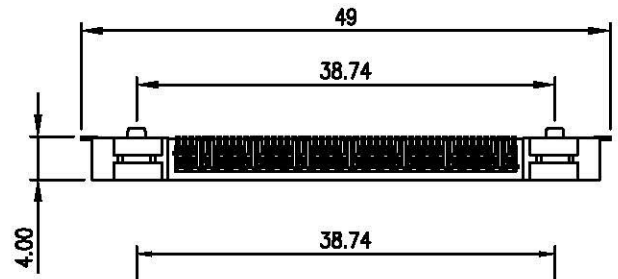
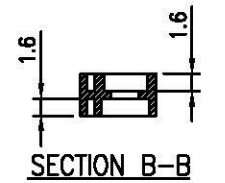
**MATERIAL**

HOUSING: HIGH TEMPERATURE THERMOPLASTIC.  
CONTACT: COPPER ALLOY.  
PED: BRASS.

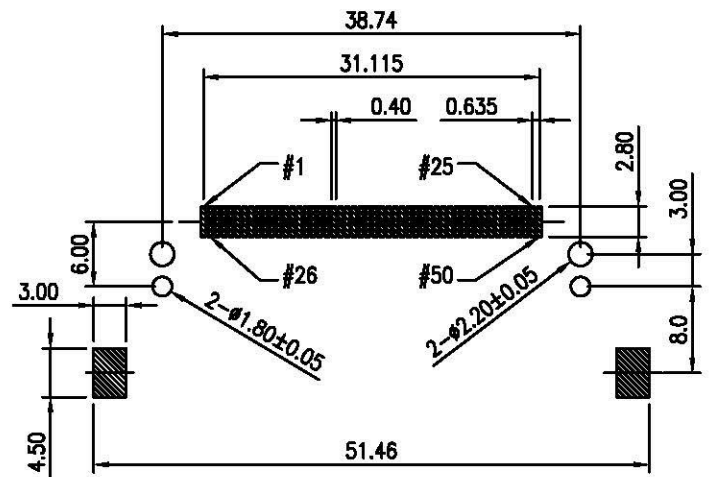
**PLATING**

CONTACT: UNDERPLATED: 50 u" MIN Ni.  
CONTACT AREA: SELECT GOLD OVER Ni PLATED.  
SOLDER TAIL: 100 u" MIN Sn/Pb OVER Ni PLATED.  
PED: 100 u" MIN Sn/Pb OVER 50 u" MIN Ni PLATED.

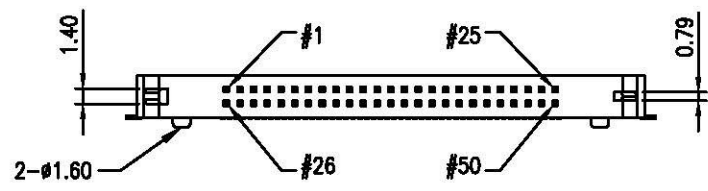
TABLE		
Pin Type	Interface Dim.	Pin No.
Detect	3.5mm (0.138in)	25,26
General	4.25mm (0.167in)	The Others
Power	5.0mm (0.197in)	01,13,38,50



SECTION A-A



RECOMMENDED P.C.B. LAYOUT



**Allconnectors**

www.allconnectors.de info@allconnectors.de  
Tel.: 0049 711 7009563 Fax: 0049 711 7009564  
70731 Filzbergstr. - Germany Kellenersstr. 25

PART NO. CFC-PW38BE001L12-50

DWG NO. CFC-PW38BE001L12-50

FILE NO.

UNIT / mm

SCALE 1:1

CHECKED BY CY

DRAWING BY

PROJECTION

TOLERANCES ARE

.X ± 0.3  
.XX ± 0.2  
.XXX ± 0.1  
AWG

DESCRIPTION:

CF Card Header Slim Type  
Normal L=19mm Post:38.74mm

AREA

REVISIONS

HK

DATE