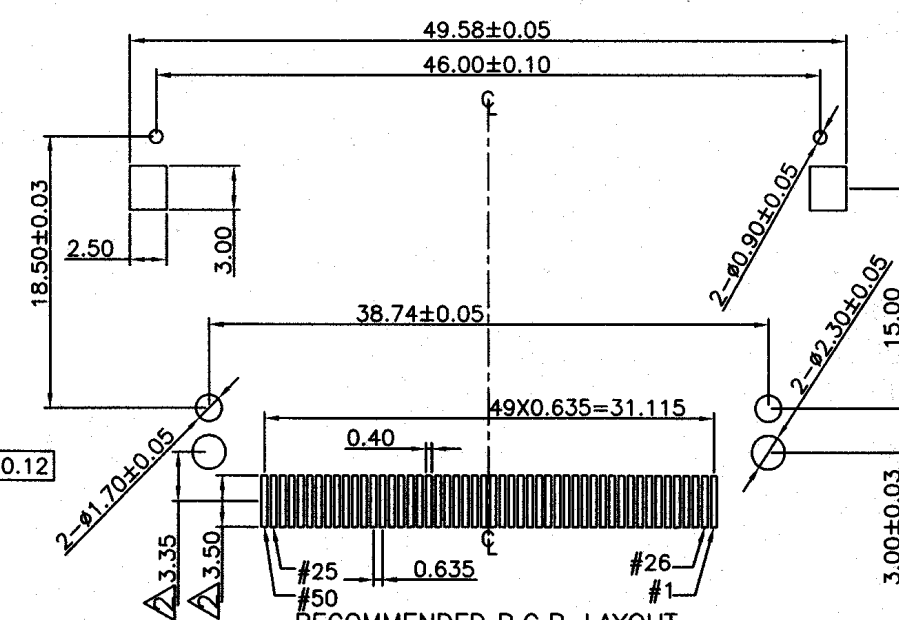
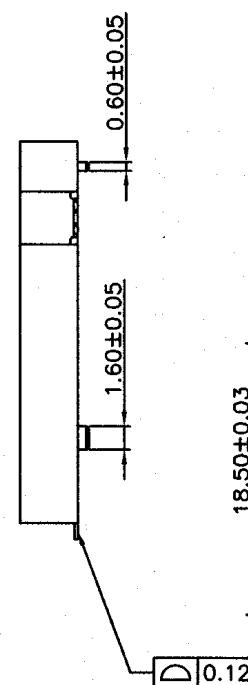
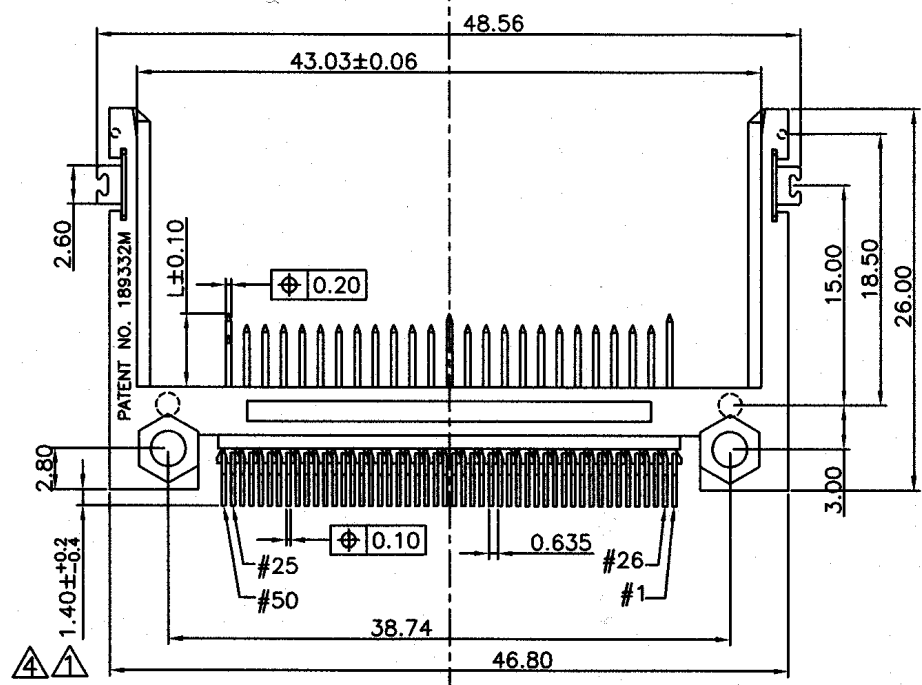


NOTES	
MATERIAL	Insulator: LCP UL94V-0 = LCP-E130A Contacts: Brass Mount Ear: Brass/Tin/Lead or Tin/Lead Free Plated Overall
CONTACT PLATING	Underplate: 50: Nickel Contact Area: 3: and 15: Selective Gold Solder Tail Area: 100: Tin/Lead or 100: Tin/Lead Free

- 101D-T     A     A     A     R  
          1     2     3     4     5
- Type  
T: Top Mount  
R: Reverse Mount
  - Contact Plating  
A: 15u" gold plating  
B: 3u" gold plating
  - Stand Off Dimension  
A: 0mm  
B: 1.2mm
  - Locating Peg  
A: 40.16 mm  
B: 38.74mm
  - Compliant RoHS



POWER	5.00mm	1,13,38,50
GENERAL	4.25mm	all other pins
DETECT	3.50mm	25,26
Pin type	Interface Dim. L	Pin No.

UNLESS OTHERWISE SPECIFIED TOLERANCE	
ANG.	±5°
0.	±0.5
.0	±0.3
.00	±0.2

**Allconnectors**  
www.allconnectors.eu | info@allconnectors.eu  
Tel. +49 (0)711 / 358 110 20 | Fax +49 (0)711 / 358 110 25

SCALE:	AS SHOWN	UNIT:	mm
DRAWN	TERRY	03/19/05	
CHECKED	/ /		
APPROVED	/ /		

DRAWN NAME:  
CFA TYPE 1,2 (POS. DIST.=38.74)  
SLIM TYPE SLOT HEADER(STANDARD)  
PRODUCT NO. 101D-TXAB-R(38.74mm)  
FILE NAME: 101D-TXAB-R(38.74mm)

REV.	DESCRIPTION	DATE	REV.	DESCRIPTION	DATE
1			1		
2			2		
3			3		
4			4		