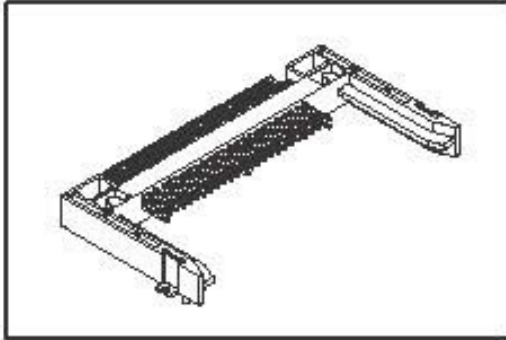


# 9202-C Series

## 1.27mm(0.05") CF Card Header



### Material:

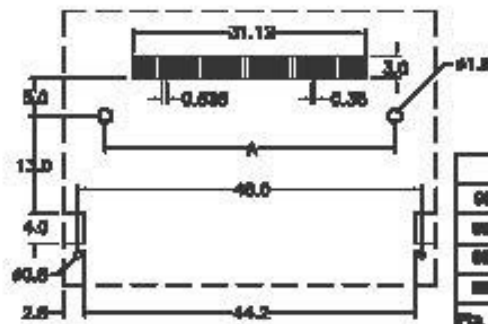
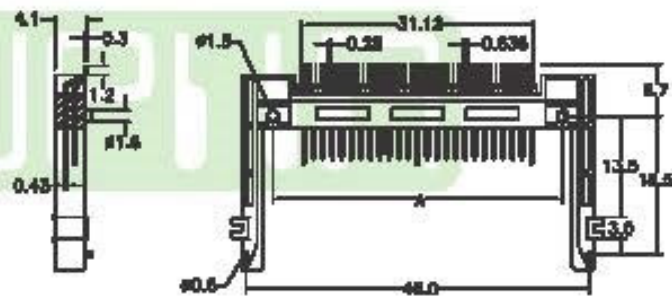
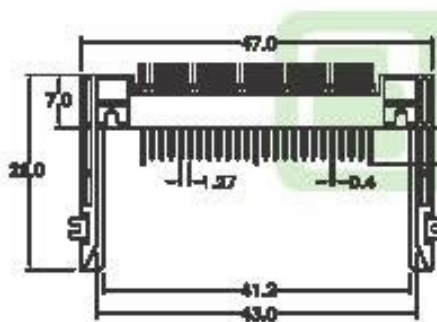
**Housing:** High Temperature Plastic UL94V-0.  
**Contacts:** Copper Alloy.

### Electrical Characteristics:

**Current Rating:** 0.5 A.  
**Dielectric Withstanding Voltage:** AC 500V.  
**Insulator Resistance:** 1000MΩ min.  
**Contact Resistance:** 40mΩ max.  
**Operating Temperature:** -55°C~+105°C.

### Features:

- Compatible with compact flash association standards.
- Slim Type.
- Right Angle SMT.
- Top & Bottom Mount.



Part No.	28K A
0920-C05M0C06A00A	30.74
0920-C05M0C06A00A	30.74
0920-C05M0C06A01A	30.18
0920-C05M0C06A01A	30.18

Pin Type	Interface	Pin #	Pin #
Signal	0.1	06	06
General	4-20	all other pins	
Power	0.1	1,18,20 & 28	

## Ordering Information

**9202-C** Series   
 **50** Style   
 **M** Position   
 **M**: Male   
 **D**: SMD Type   
 **1** Stand off mm   
 **C**: Selective Gold   
 **D5** (05: 05.08)   
 **A**: Top Mount Type   
 **B**: Bottom Mount Type   
 **0** Without Guide Pin   
 **0**: Dim A =38.74   
 **1**: Dim A =40.16   
 **A**: Tray Package

**AllConnectors**

www.allconnectors.de  
 Tel.: 0049 / 711 / 905500  
 70794 Filderstadt - Germany

info@allconnectors.de  
 Fax: 0049 / 711 / 905501  
 Kellernstr. 25