

0.05" (1.27mm) Compact Flash Card

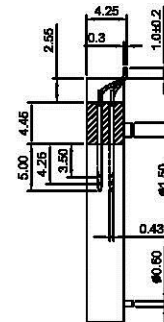
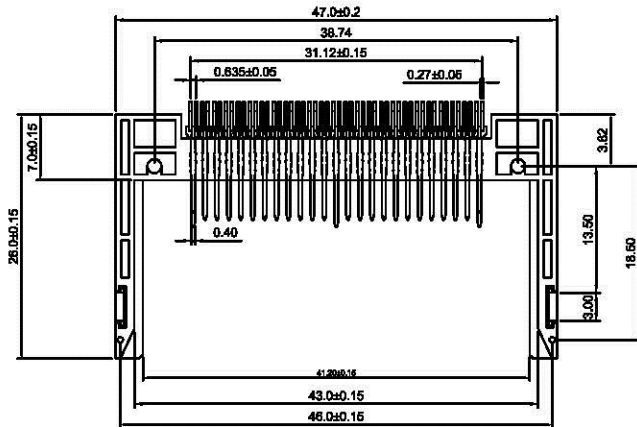
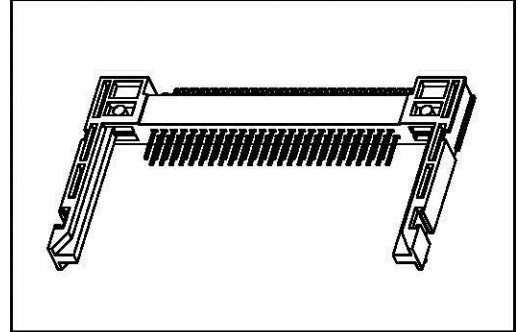
SMT TYPE HDIGHT 4.25mm

Specifications

Current Rating:0.5 Amp
 Voltage Rating:100V AC/DC
 Contact resistance:40m Ohm Max
 Insulator resistance:1,000M ohm min.
 Withstanding Voltage:500V AC/Minute
 Operating Temperature Range:-20°~+60° C

Material And Finish

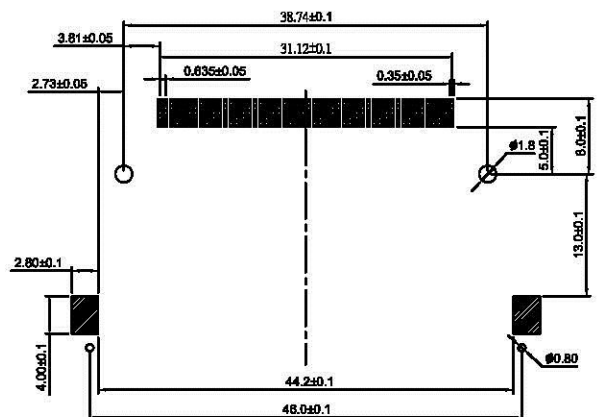
Insulator:Polyester(UL 94V-0)
 Standard : LCP
 Contact:Copper Alloy
 Contact Plated: Gold plated(standard)



How To Order

871-504251-XX

- 01:Gold Plated 5u"
- 02:Gold Plated 10u"
- 03:Gold Plated 30u"



Recommended PCB Layout