

REV.	DESCRIPTION	DATE

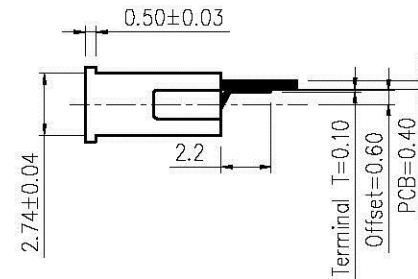
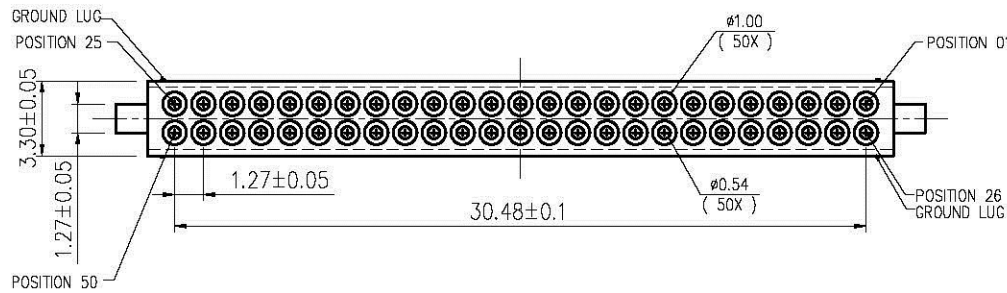
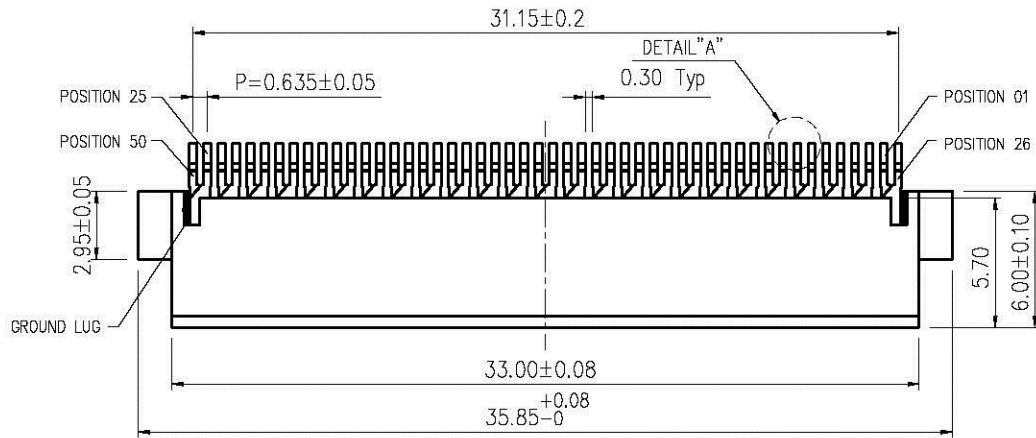
NOTE:

A. Material:

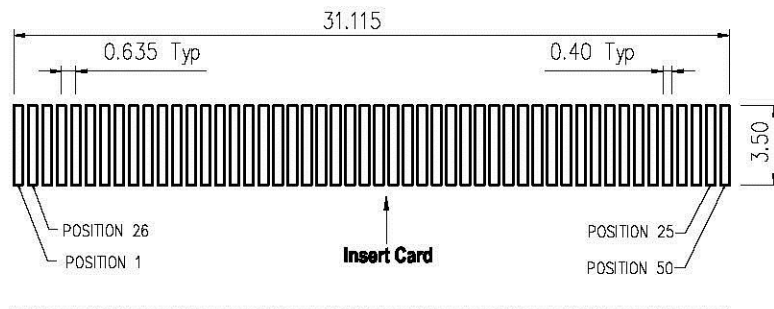
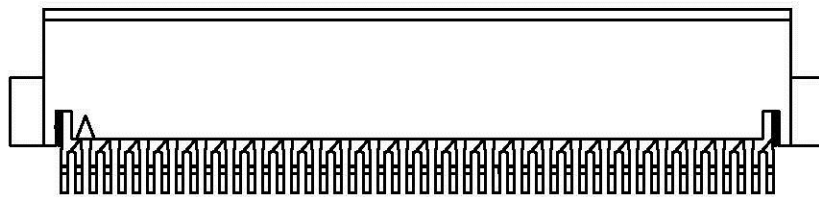
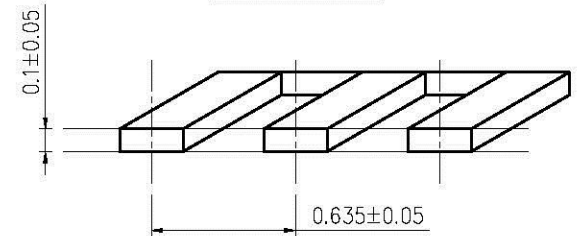
1. Housing : HTN , UL94V-0.
2. Terminal : Copper Alloy .

B. Plating:

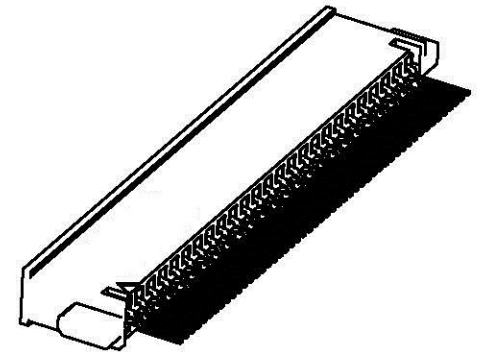
1. Terminal : Plating is based on 50u" Nickel under plating, Selective Gold plated in contact area, Solder tail 100u" min Sn over Nickel plated.



DETAIL "A" 10:1



PCB LAYOUT



TOLERANCE .X ± 0.250 .XX ± 0.100 .XXX ± 0.050	DRAWER <i>Chin Chun Liu</i>	 <small>USA: 1-800-CONNECTOR, SA Tel: 0049 711 2009537 20291 Filserstadt - Germany</small>	
	CHECK <i>Shi Jung Liu</i>		
 UNITS : mm	DESIGNED <i>Chin Chun Liu</i>	NAME Compact Flash Card 50Pin SMT Connector Offset=0.60	
	APPROVAL <i>Hao Feng Liu</i>	DATE 12/13/2001	PART NO. 8690-S6050X-0
SCALE 3 : 1	SIZE A4	SHEET 1 OF 1	DRAW NO. 8690-S6050X REV. A