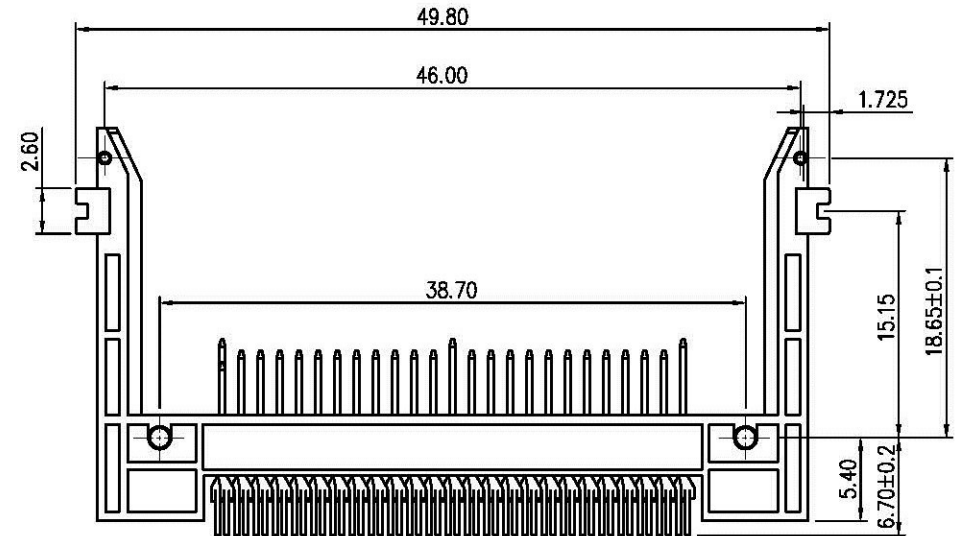
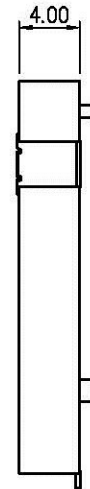
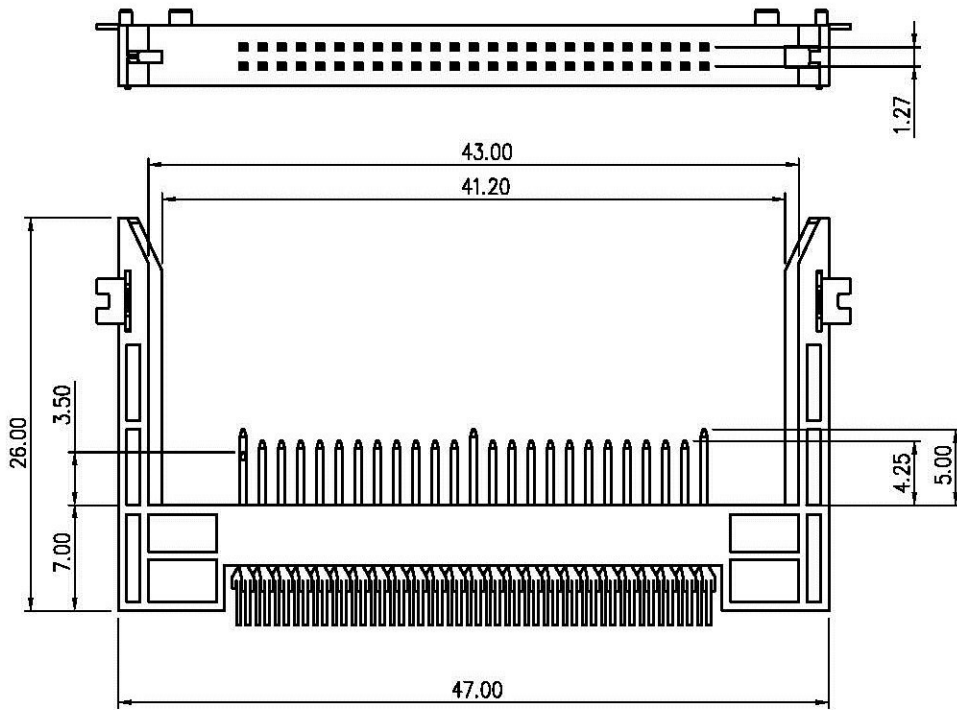


REV.	DESCRIPTION	DATE



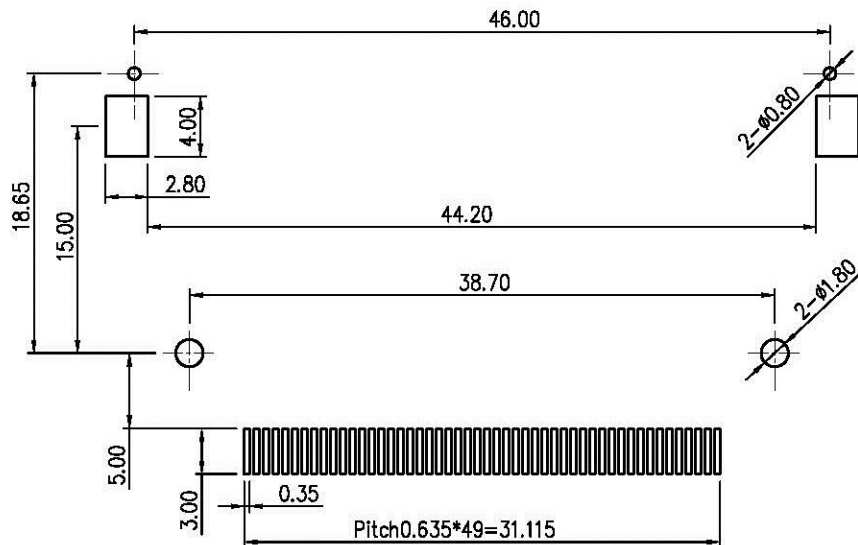
NOTE:

A. Material:

1. Housing : High temp plastic, UL94V-0.
2. Contact : Copper alloy
3. Pad : Copper alloy.

B. Plating

1. Contact : 50u" Nickel underplating, selective gold-plated on contact area. .
Solder tail 100u" Sn.
2. Pad : 100u" min Sn.



PCB Layout

Dimension L

Pin type	Circuit No.	Dimensions mm
Detect	1,13,38,50	5.0 ± 0.1
General	2 to 12 , 14 to 24 27 to 37 , 39 to 49	4.25 ± 0.1
Power	25 , 26	3.5 ± 0.1

TOLERANCE .X ±0.20 .XX ±0.10 .XXX±0.05	DRAWER <i>Chin Chun Liu</i>	 www.allconnectors.de Tel: 0049 711 7009208 info@allconnectors.de 70794 Filzstätt - Germany Fax: 0049 711 7009204 Kathemerstr. 25	
	CHECK <i>Shi Feng Liu</i>		
DESIGNED <i>Chin Chun Liu</i>	NAME Compact Flash Card Socket SMT TYPE (Standard type fit Type I & Type II CF Card) POST L=38.7 mm		
	APPROVAL <i>Shi Feng Liu</i>	PART NO. 8689-S0110X-0	DRAW NO. 8689-S0110X
 UNITS : mm	DATE 10 / 31 / 2002	SHEET 1 OF 1	REV. A
SCALE 2 : 1	SIZE A4		