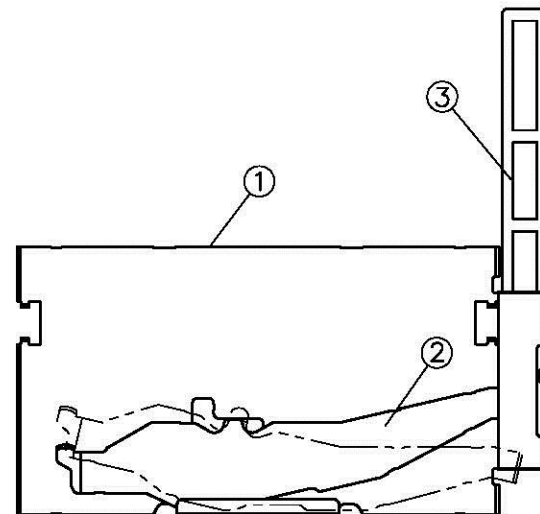
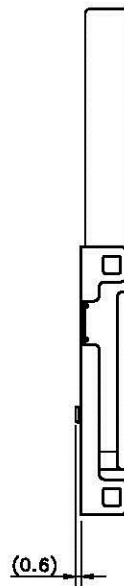
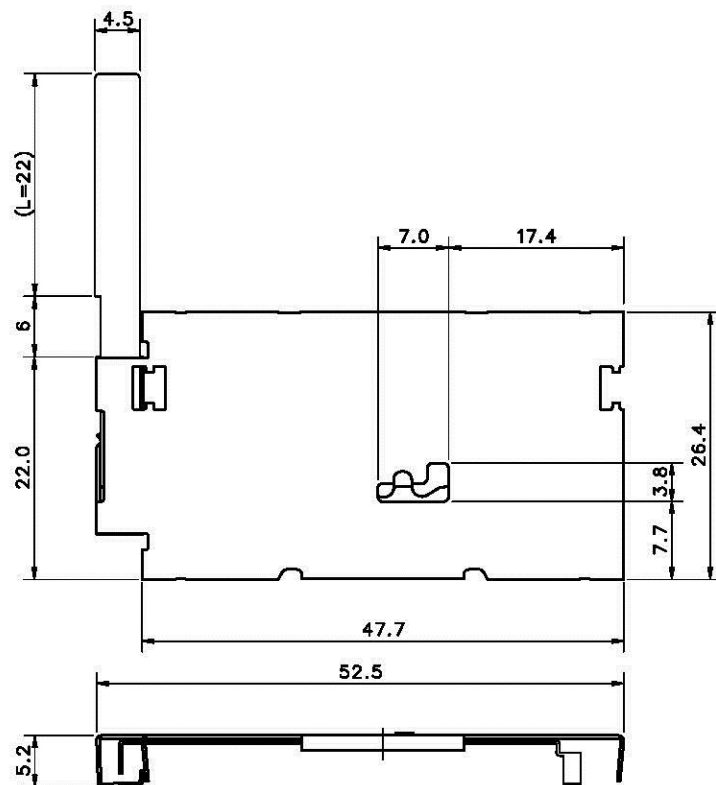
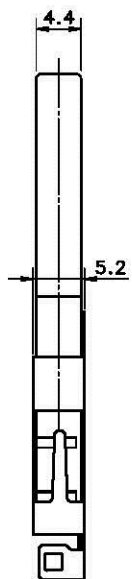


ORDERING INFORMATION

SERIES NO.	TYPE	EJECT SIDE	BUTTON TYPE	BUTTON LENGTH	ATTACHMENT
60	8	1	1	04	1
	8:EJECTOR "A"	1:RIGHT SIDE 2:LEFT SIDE	1:STRAIGHT	00:FLEXIBILITY 01:15.0mm 02:17.5mm 03:20.0mm 04:22.0mm	1:BLACK PBT



No.	NAME	MATERIAL
1	METAL SHELL	STAINLESS STEEL T=0.3
2	LEVER	STAINLESS STEEL T=0.3
3	BUTTON	PBT G.F. UL94V-0 BLACK COLOR

DR.	CHK.	DATE
		05/18/99
A RELEASE		
REV.	DESCRIPTION(ECN No)	

GENERAL TOLERANCE	
DIMENSION	ANGLES
0. ±0.5	0° ±3°
.0 ±0.3	
.00 ±0.2	
SCALE: N.S.T	UNIT: mm

All Connectors

www.allconnectors.de
Tel: +049 711 7003003
A/91 Hildesheim - Germany

info@allconnectors.de
Fax: +049 711 7002904
Kettnerstr. 2

APPROVED	ALBERT.LIU 05/18/99	TITLE:
CHECKED	ALBERT.LIU 05/18/99	CF CARD CONN.
DRAWN	ANNIE.CHIU 05/18/99	SHELL ASS'Y (right side Ejector)
		PART NO:
		60811041
		REVISE ONLY ON CAD SYSTEM

SIZE A4 REV. A