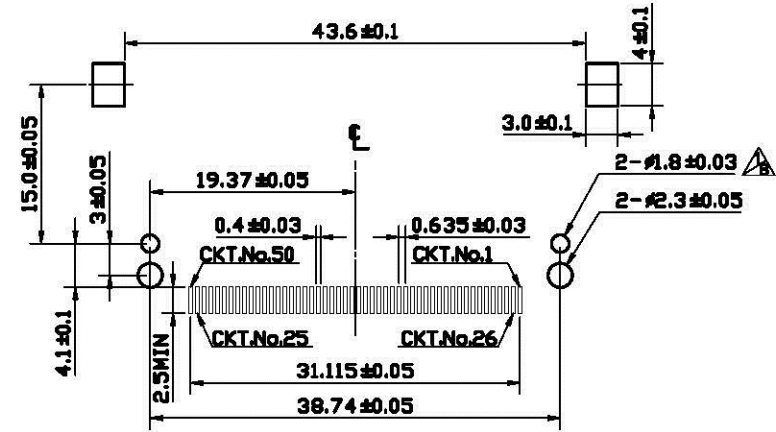
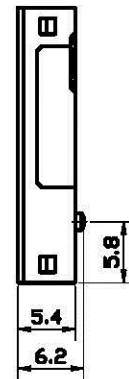
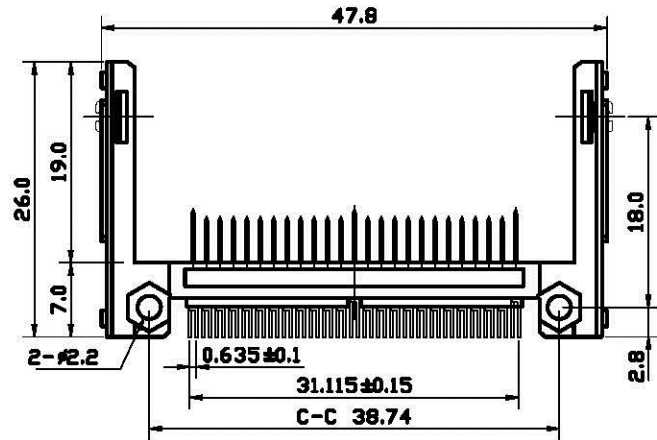
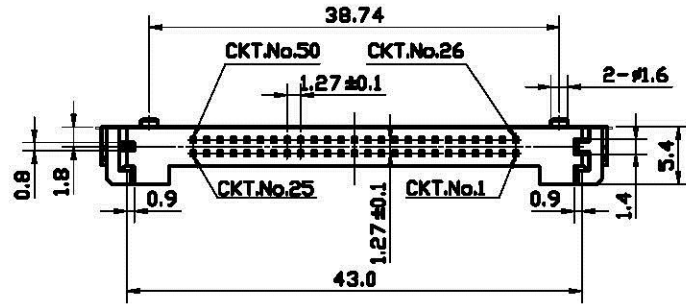
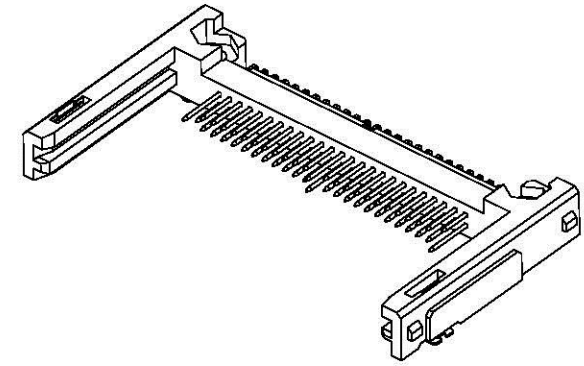


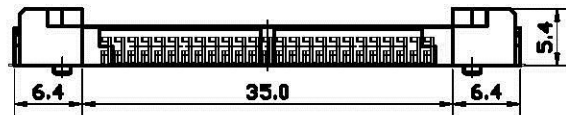
ORDERING INFORMATION

SERIES NO. 60	TYPE 3	HEADER TYPE 54	STAND OFF HEIGHT 0	CONTACT PLATING 2	ATTACHMENT 0
	3: MALE HEADER SMT Lead Free	01: TYPE I A 02: TYPE I AR 03: TYPE I B 04: TYPE I BR 54: TYPE I H	0: STAND OFF=0.0mm	2: 5u" GOLD SELECTIVE OVER NICKEL PLATING	0: ■■ WITHOUT NUTS 1: ■■ WITH NUTS

NOTES:
MATERIAL
 Insulator: Glass Reinforced LCP UL94V-0
 Contacts: Brass Alloy
 Mount ear: Brass ; Tin plated overall
CONTACT PLATING
 Contact area: Gold plating over 40u" Nickel
 Solder tail area: 100u" tin plating over 40u" Nickel



RECOMMENDED P.C.B. LAYOUT



ECN 960101 RELEASE		Date: 01/08/07 Date: 05/03/04		GENERAL TOLERANCE DIMENSION: 0.0 ±0.5, ±0.3, ±0.2 ANGLES: 0°, ±5° SCALE: N.S.T UNIT: mm		All Connectors www.allconnectors.de Tel: 0049 711 709520 70754 Ploidersdorf - Germany		APPROVED: ALBERT.LIU 05/03/04 CHECKED: JEFF .CHEN 05/03/04 DRAWN: CHIA MING CHANG 05/03/04		TITLE: CF CARD HEADER SMT 50P TYPE I (H) PART NO: 60354020 (Lead Free) REVISE ONLY ON CAD SYSTEM	
REV.	DESCRIPTION (ECN No)	DR.	CHK.	DATE	SCALE	UNIT	SIZE	REV.			