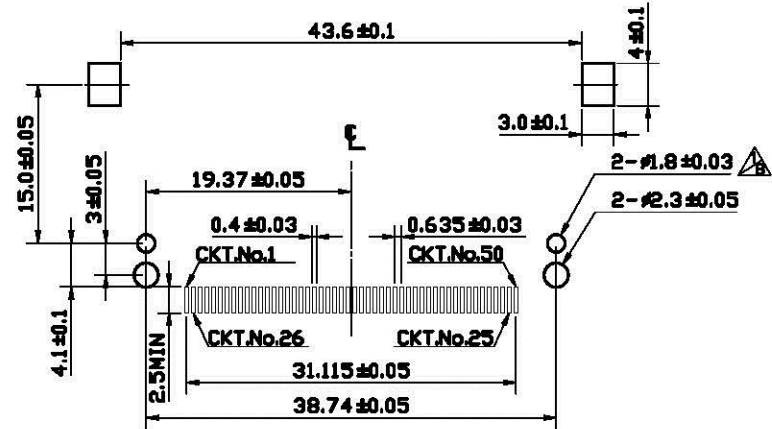
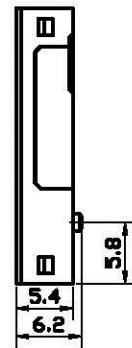
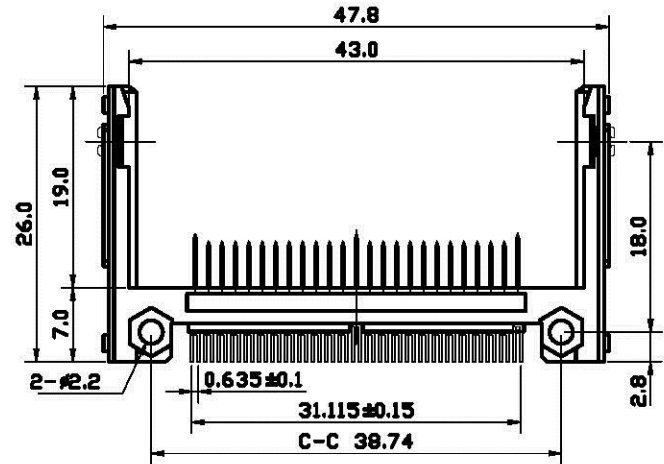
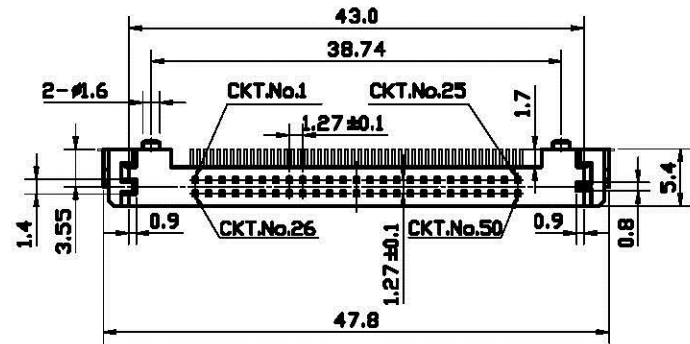
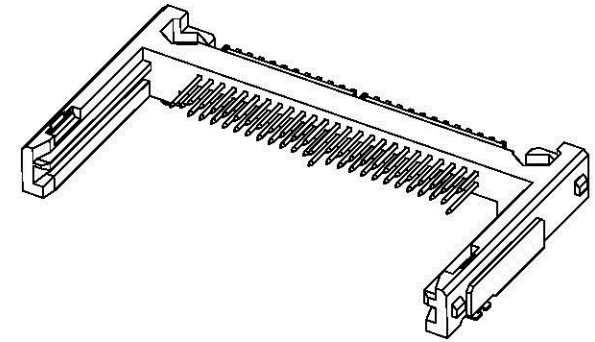


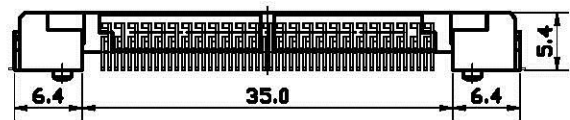
### ORDERING INFORMATION

SERIES NO.	TYPE	HEADER TYPE	STAND OFF HEIGHT	CONTACT PLATING	ATTACHMENT
60	3	50	3	2	0
	3: MALE HEADER SMT Lead Free	01: TYPE I A 02: TYPE I AR 03: TYPE I B 04: TYPE I BR 50: TYPE I GR	3: STAND OFF=1.70mm	2: 5u" GOLD SELECTIVE OVER NICKEL PLATING	0: ■■ WITHOUT NUTS 1: ■■ WITH NUTS

**NOTES:**  
**MATERIAL**  
 Insulator: Glass Reinforced LCP UL94V-0  
 Contacts: Brass Alloy  
 Mount ear: Brass ; Tin plated overall  
**CONTACT PLATING**  
 Contact area: Gold plating over 40u" Nickel  
 Solder tail area: 100u" tin plating over 40u" Nickel



RECOMMENDED P.C.B. LAYOUT



ECN 960101 RELEASE		AL AL 01/08/07 AC AL 05/08/03		GENERAL TOLERANCE DIMENSION: 0.1 ±0.5, 0.3 ±0.3, 0.00 ±0.2 ANGLES: 0° ±3° SCALE: N.S.T UNIT: mm		APPROVED ALBERT.LIU 05/08/03 CHECKED JEFF .CHEN 05/08/03 DRAWN CHIA MING CHANG 05/08/03		TITLE: CF CARD HEADER SMT 50P TYPE I (GR) PART NO: 60350320 (Lead Free) REVISE ONLY ON CAD SYSTEM	
REV.	DESCRIPTION (ECN No)	DR.	CHK.	DATE	SCALE	UNIT	SIZE A4	REV. A	

**All Connectors**  
 www.allconnectors.de  
 Tel: 0049 711 7009503  
 70734 Filderstadt - Germany  
 info@allconnectors.de  
 Fax: 0049 711 7009104  
 Kette werts: 25