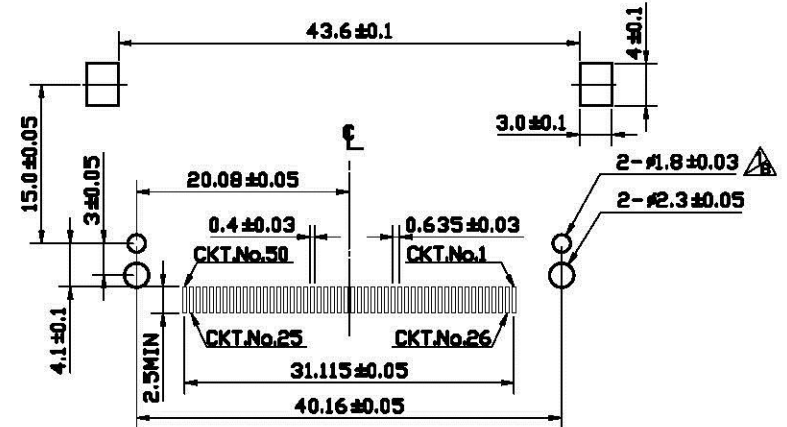
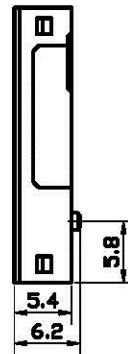
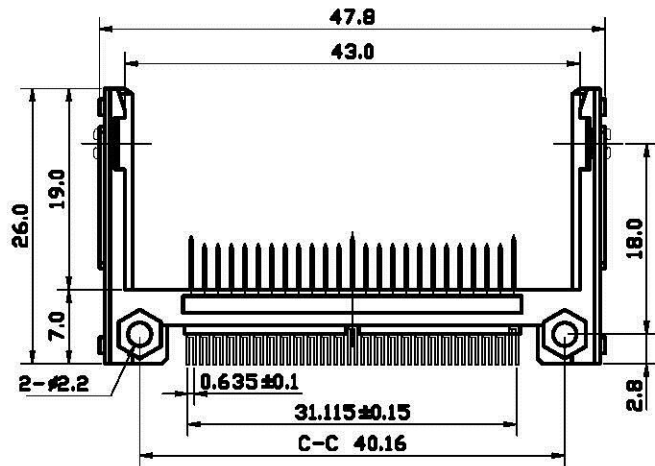
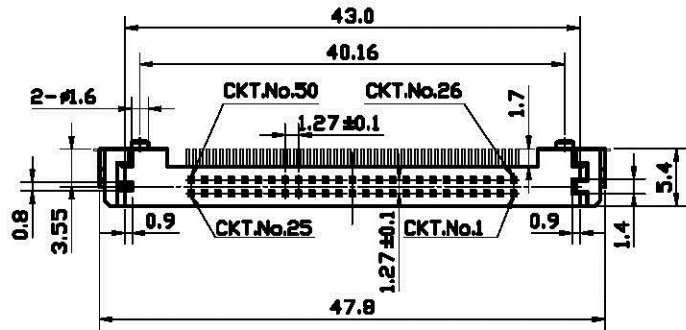
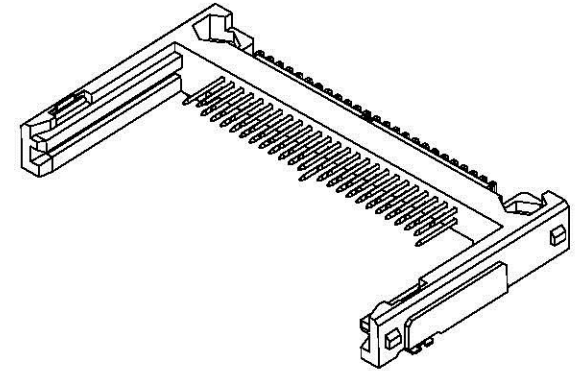


ORDERING INFORMATION

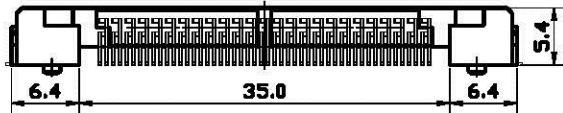
SERIES NO. 60	TYPE 3	HEADER TYPE 44	STAND OFF HEIGHT 3	CONTACT PLATING 2	ATTACHMENT 0
-------------------------	------------------	--------------------------	------------------------------	-----------------------------	------------------------

3: MALE HEADER
SMT Lead Free
 01: TYPE I A
02: TYPE I AR
03: TYPE I B
04: TYPE I BR
44: TYPE I GO
 3: STAND OFF=1.70mm
 2: 5u" GOLD SELECTIVE OVER NICKEL PLATING
 0: ■ WITHOUT NUTS
1: ■ WITH NUTS

NOTES:
MATERIAL
 Insulator: Glass Reinforced LCP UL94V-0
 Contacts: Brass Alloy
 Mount ear: Brass ; Tin plated overall
CONTACT PLATING
 Contact area: Gold plating over 40u" Nickel
 Solder tail area: 100u" tin plating over 40u" Nickel



RECOMMENDED P.C.B. LAYOUT



						GENERAL TOLERANCE DIMENSION: 0.1 ±0.5, ±0.3, ±0.2; .00 ±0.2 ANGLES: 0° ±3° SCALE: N.S.T UNIT: mm		All Connectors www.allconnectors.de Tel.: 0049 711 7005538 20251 Friedr. strdt - Germany		APPROVED ALBERT.LIU 05/08/'03 CHECKED JEFF .CHEN 05/08/'03 DRAWN CHIA MING CHANG 05/08/'03 SIZE A4 REV. A		TITLE: CF CARD HEADER SMT 50P TYPE I (GO) PART.NO: 60344320 (Lead Free) REVISE ONLY ON CAD SYSTEM	
ECN 960101 RELEASE	AL AL AL AL	01/08/'07 05/08/'03	DR. CHK.	DATE	SCALE: N.S.T	UNIT: mm	APPROVED ALBERT.LIU 05/08/'03 CHECKED JEFF .CHEN 05/08/'03 DRAWN CHIA MING CHANG 05/08/'03 SIZE A4 REV. A		TITLE: CF CARD HEADER SMT 50P TYPE I (GO) PART.NO: 60344320 (Lead Free) REVISE ONLY ON CAD SYSTEM				