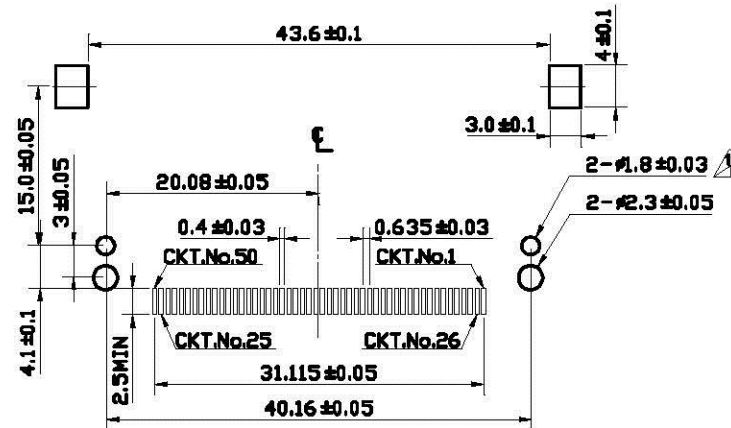
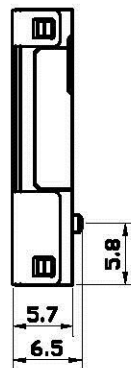
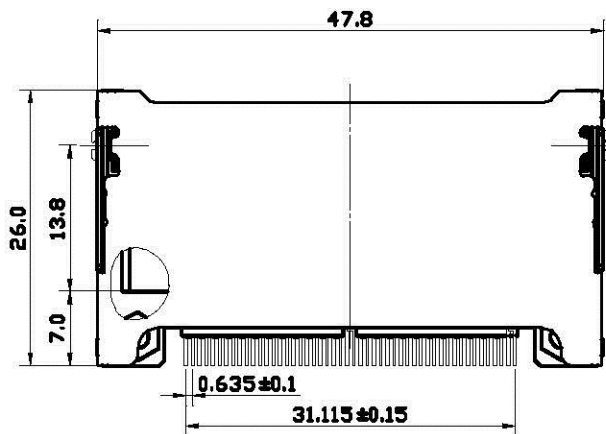
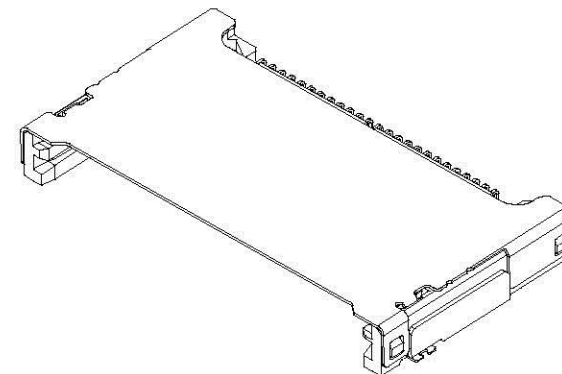


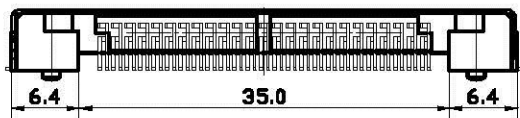
ORDERING INFORMATION

SERIES NO.	TYPE	HEADER TYPE	STAND OFF HEIGHT	CONTACT PLATING	ATTACHMENT
60	3	43	3	2	0
	1: MALE HEADER SMT TYPE 2: MALE HEADER STRADDLE TYPE 3: Lead Free	01: TYPE I A 02: TYPE I AR 03: TYPE I B 04: TYPE I BR 43: TYPE I GOS	3: STAND OFF=1.70mm	1: GOLD FLASH OVER NICKEL PLATING 2: 5u" GOLD SELECTIVE OVER NICKEL PLATING 3: 10u" GOLD SELECTIVE OVER NICKEL PLATING 4: 15u" GOLD SELECTIVE OVER NICKEL PLATING	0: WITHOUT NUTS 1: WITH NUTS

NOTES:
 MATERIAL
 Insulator: Glass Reinforced LCP UL94V-0
 Contacts: Brass Alloy
 Mount ear: Brass ; Tin plated overall
 CONTACT PLATING
 Contact area: Gold plating over 40u" Nickel
 Solder tail area: 100u" tin plating over 40u" Nickel
 SHIELD:
 Stainless steel 0.3 thickness



RECOMMENDED P.C.B. LAYOUT



 REV.	ECN 960101 RELEASE	AL AL AL AL DR. CHK.	01/08/07 05/08/03 DATE	GENERAL TOLERANCE DIMENSION 0.0 ±0.5 .0 ±0.3 .00 ±0.2 SCALE: N.S.T	ANGLES 0° ±5° UNIT: mm	APPROVED ALBERT.LIU 05/08/03 CHECKED JEFF .CHEN 05/08/03 DRAWN CHIA MING CHANG 05/08/03	TITLE: CF CARD HEADER SMT 50P TYPE I (GOS) PART.NO: 80343320 (Lead Free) REVISE ONLY ON CAD SYSTEM	
	DESCRIPTION(ECN No)					www.allconnectors.de Tel.: 0049 711 7095526 N291 Filberstedt - Germany	info@allconnectors.de Fax: 0049 711 7095504 Katherstr. 25	
							SIZE A4 REV. A	