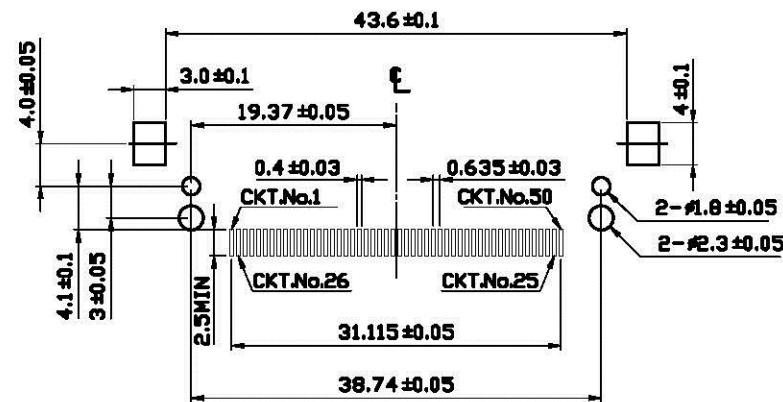
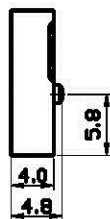
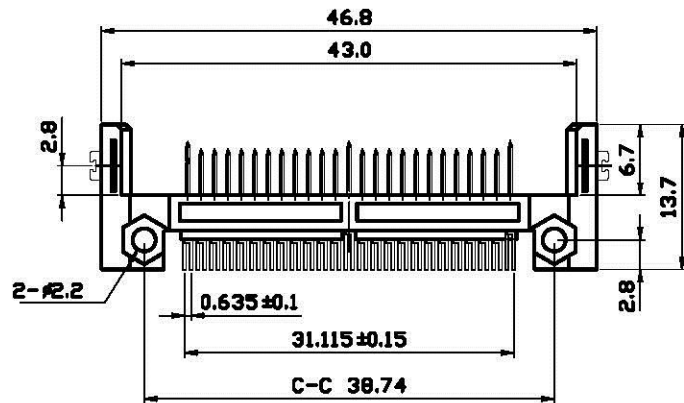
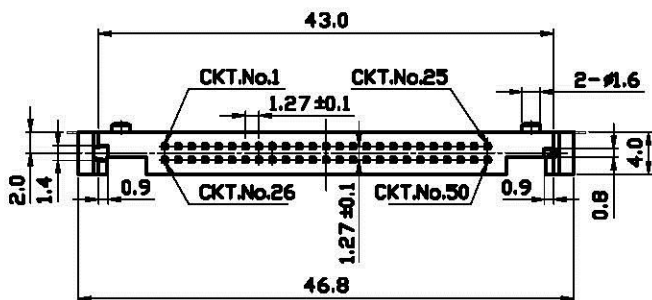
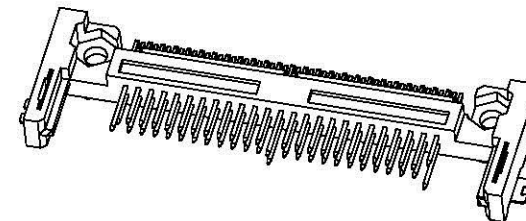


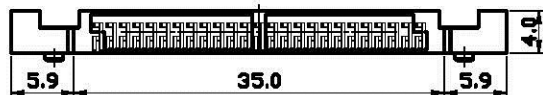
ORDERING INFORMATION

SERIES NO.	TYPE	HEADER TYPE	STAND OFF HEIGHT	CONTACT PLATING	ATTACHMENT
60	3	40	0	2	0
	3: MALE HEADER SMT Lead Free	01: TYPE I A 02: TYPE I AR 03: TYPE I B 04: TYPE I BR 05: TYPE I C 07: TYPE I D 08: TYPE I DR 37: TYPE I E 38: TYPE I F 39: TYPE I ER 40: TYPE I FR	0: STAND OFF=0.0mm	2: 5u" GOLD SELECTIVE OVER NICKEL PLATING	0: #0 WITHOUT NUTS 1: #0 WITH NUTS

NOTES:
MATERIAL
 Insulator: Glass Reinforce LCP UL94V-0
 Contacts: Brass Alloy
 Mount ear: Brass ; Tin plated overall
CONTACT PLATING
 Contact area: Gold plating over 40u" Nickel
 Solder tail area: 100u" tin plating over 40u" Nickel



RECOMMENDED P.C.B. LAYOUT



			GENERAL TOLERANCE DIMENSION: 0.0 ±0.5, ±0.3, ±0.2; .00 ±0.2 ANGLES: 0°, ±3° SCALE: N.S.T UNIT: mm		All Connectors www.allconnectors.com TEL: 0049 711 700509 info@allconnectors.com Fax: 0049 711 700504 Kettnerstr. 25		APPROVED ALBERT.LIU 05/09/03 CHECKED ALBERT.LIU 05/09/03 DRAWN CHIA MING CHANG 05/09/03		TITLE: CF CARD HEADER SMT 50P TYPE I (FR) PART NO: 60340020 (Lead Free) REVISE ONLY ON CAD SYSTEM	
REV.	DESCRIPTION (ECN No)	DR.	CHK.	DATE	SCALE	UNIT	SIZE	REV.		
				05/09/03	N.S.T	mm	A4	A		