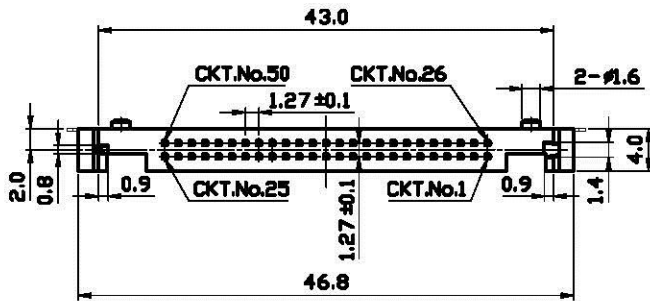
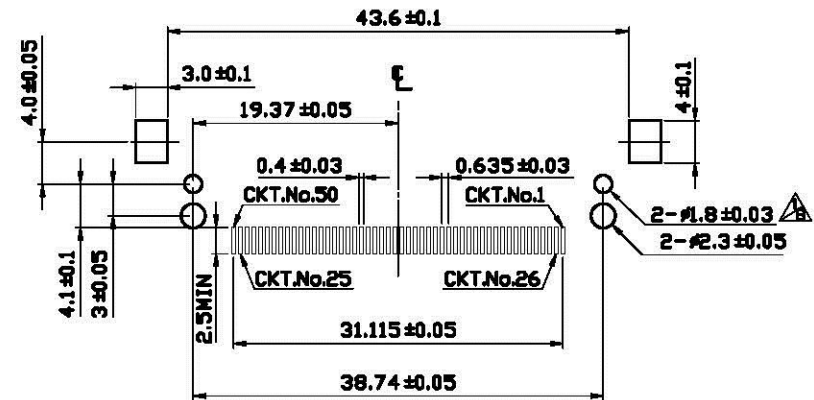
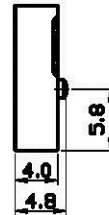
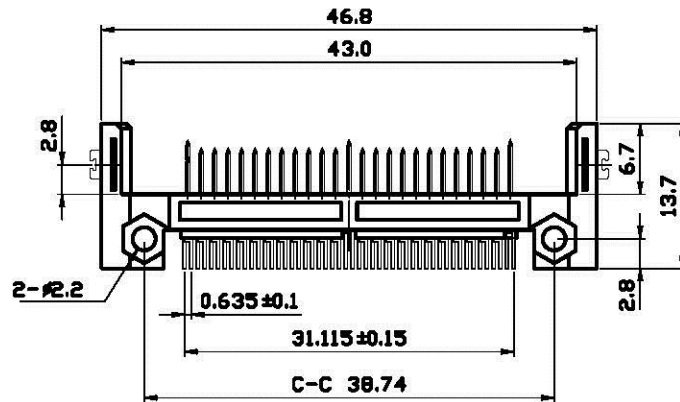
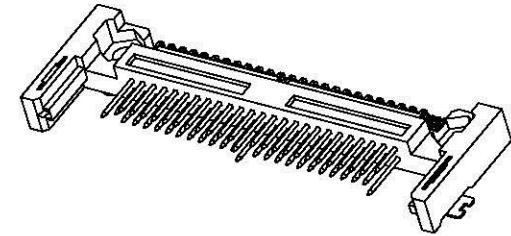


ORDERING INFORMATION

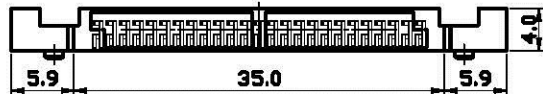
SERIES NO.	TYPE	HEADER TYPE	STAND OFF HEIGHT	CONTACT PLATING	ATTACHMENT
60	3	38	0	2	0
3: MALE HEADER SMT Lead Free		01: TYPE A 02: TYPE AR 03: TYPE B 04: TYPE BR 05: TYPE C 08: TYPE CR 07: TYPE D 08: TYPE DR 37: TYPE FR 38: TYPE TR 39: TYPE UR 40: TYPE VR	0: STAND OFF=0.0mm	2: 5u" GOLD SELECTIVE OVER NICKEL PLATING	0: #08 WITHOUT NUTS 1: #08 WITH NUTS



NOTES:
MATERIAL
 Insulator: Glass Reinforce LCP UL94V-0
 Contacts: Brass Alloy
 Mount ear: Brass ; Tin plated overall
CONTACT PLATING
 Contact area: Gold plating over 40u" Nickel
 Solder tail area: 100u" tin plating over 40u" Nickel



RECOMMENDED P.C.B. LAYOUT



REV.	DESCRIPTION (ECN No)	DR.	CHK.	DATE	SCALE:	UNIT:	APPROVED	CHECKED	DRAWN	SIZE	REV.	TITLE
1	ECN 960101	AL	AL	01/08/07	N.S.T	mm	ALBERT.LIU 05/09/03	ALBERT.LIU 05/09/03	CHIA MING CHANG 05/09/03	A4	A	CF CARD HEADER SMT 50P TYPE I (F)
2	RELEASE	AC	AL	05/09/03								PART NO: 60338020 (Lead Free)
											REVISE ONLY ON CAD SYSTEM	

All Connectors

www.allconnectors.de
 info@allconnectors.de
 70794 Filzschl., Germany

APPROVED ALBERT.LIU 05/09/03

CHECKED ALBERT.LIU 05/09/03

DRAWN CHIA MING CHANG 05/09/03



SIZE A4

REV. A

TITLE: CF CARD HEADER
SMT 50P TYPE I (F)

PART NO: 60338020 (Lead Free)

REVISE ONLY ON CAD SYSTEM