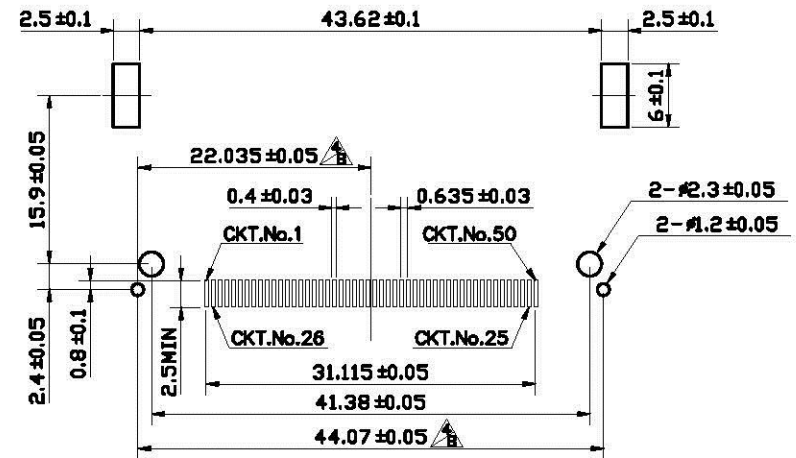
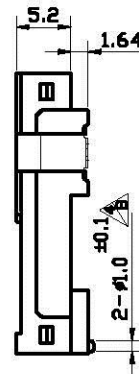
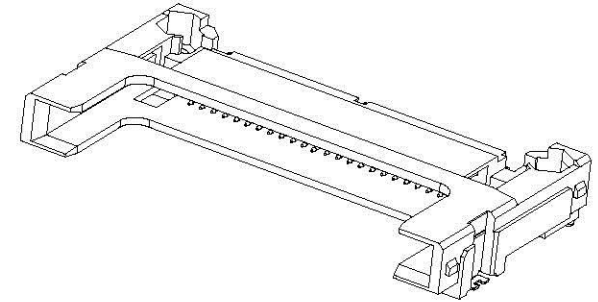


### ORDERING INFORMATION

SERIES NO.	TYPE	HEADER TYPE	STAND OFF HEIGHT	CONTACT PLATING	ATTACHMENT
60	3	36	1	2	0
	3: MALE HEADER SMT Lead Free	01: TYPE I A 02: TYPE I AR 03: TYPE I B 04: TYPE I BR 08: TYPE II A 11: TYPE II B 36: TYPE I ARS	1: STAND OFF=1.64mm	2: 5u" GOLD SELECTIVE OVER NICKEL PLATING	0: # WITHOUT NUTS 1: # WITH NUTS

NOTES:  
 MATERIAL  
 Insulator: Glass Reinforced LCP UL94V-0  
 Contacts: Brass Alloy  
 Mount ear: Brass ; Tin plated overall  
 CONTACT PLATING  
 Contact area: Gold plating over 40u" Nickel  
 Solder tail area: 100u" tin plating over 40u" Nickel



RECOMMENDED P.C.B. LAYOUT

REV.	DESCRIPTION (ECN No)	DR.	CHK.	DATE	SCALE:	UNIT:	APPROVED	TITLE:
A	ECN 950802	AL	AL	06/08/'06	N.S.T	mm	ALBERT.LIU 10/24/'02	CF CARD HEADER
B	RELEASE	AL	AL	09/17/'02			ALBERT.LIU 10/24/'02	SMT 50P TYPE I (ARS)
							YA WEN .Wu 10/24/'02	PART.NO: 60336120 (Lead Free)
								REVISE ONLY ON CAD SYSTEM

**Allconnectors**

www.allconnectors.de  
 info@allconnectors.de  
 Tel: 049 711 700500  
 Fax: 049 711 700504  
 70794 Ellersdorf - Germany  
 049711700500

APPROVED ALBERT.LIU 10/24/'02  
 CHECKED ALBERT.LIU 10/24/'02  
 DRAWN YA WEN .Wu 10/24/'02

TITLE: CF CARD HEADER  
 SMT 50P TYPE I (ARS)  
 PART.NO: 60336120 (Lead Free)  
 REVISE ONLY ON CAD SYSTEM