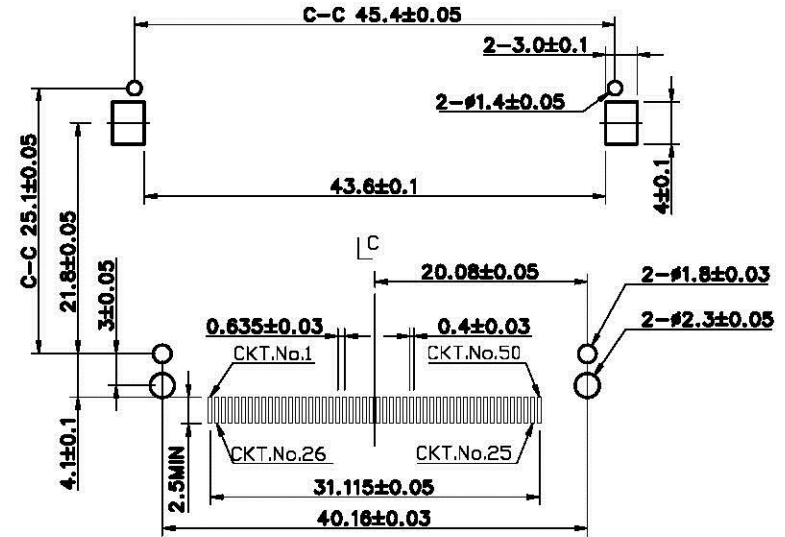
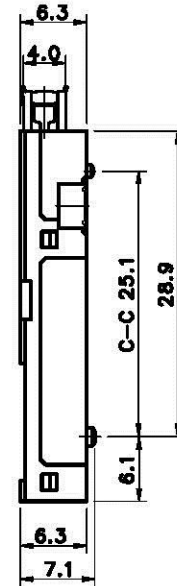
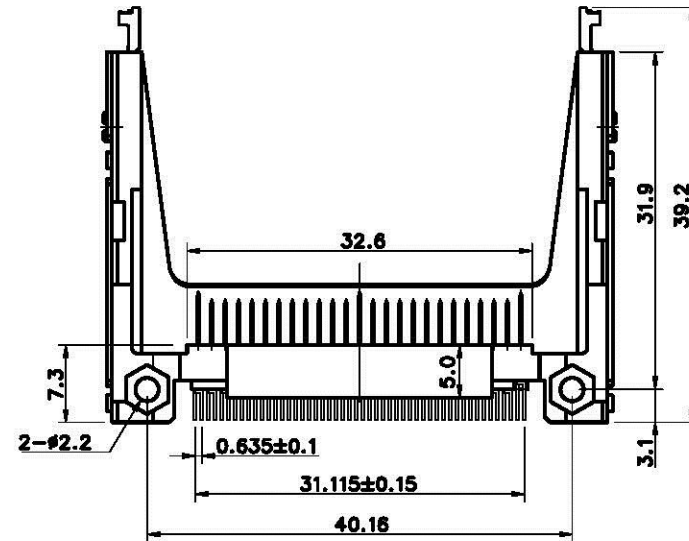
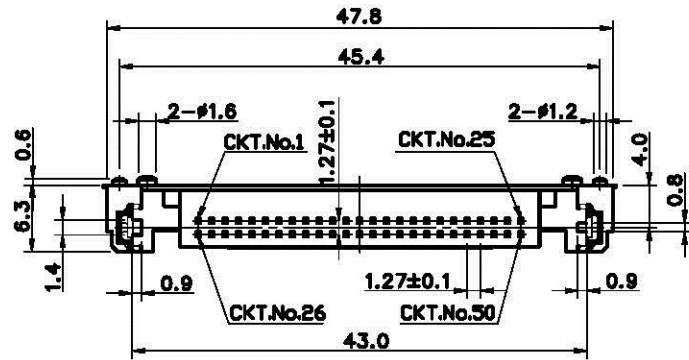
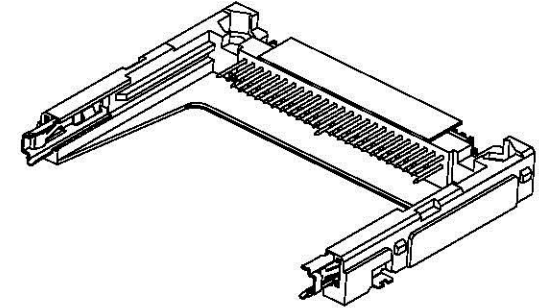


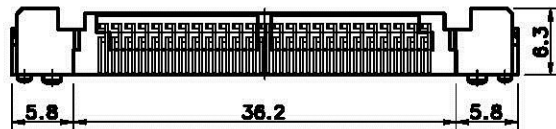
ORDERING INFORMATION

SERIES NO.	TYPE	HEADER TYPE	STAND OFF HEIGHT	CONTACT PLATING	ATTACHMENT
60	3	35	0	2	6
	3: MALE HEADER SMT Lead Free	01: TYPE I A 02: TYPE I AR 03: TYPE I B 04: TYPE I BR 08: TYPE II A 10: TYPE II AR 11: TYPE II B 12: TYPE II BR 35: TYPE II BORS	0: STAND OFF=0.0mm 2: STAND OFF=2.20mm	2: 5u" GOLD SELECTIVE OVER NICKEL PLATING	0: #B WITHOUT NUTS 1: #B WITH NUTS 6: SOLDER TAPE

NOTES:
MATERIAL
 Insulator: Glass Reinforced LCP UL94V-0
 Contacts: Brass Alloy
 Mount ear: Brass ; Tin plated overall
CONTACT PLATING
 Contact area: Gold plating over 40u" Nickel
 Solder tail area: 100u" tin plating over 40u" Nickel



RECOMMENDED P.C.B. LAYOUT



			GENERAL TOLERANCE DIMENSION: 0.0 ±0.5, ±0.3, .00 ±0.2 ANGLES: 0°, ±5° SCALE: N.S.T UNIT: mm		All Connectors www.allconnectors.de info@allconnectors.de 20254 Pflaumstraße 6 Germany Tel: +49 431 120200 Fax: +49 431 120204 Germany		APPROVED: ALBERT.LIU 10/17/02 CHECKED: ALBERT.LIU 10/17/02 DRAWN: YA WEN.Wu 10/17/02 SIZE: A4 REV: A		TITLE: CF CARD HEADER SMT 50P TYPE II (BORS) Solder Tape PART NO: 60335026 (Lead Free) REVISE ONLY ON CAD SYSTEM				
REV.	DESCRIPTION (ECN No)	DR.	CHK.	DATE	SCALE	UNIT	APPROVED	CHECKED	DRAWN	SIZE	REV.	TITLE	PART NO
				10/17/02	N.S.T	mm	ALBERT.LIU	ALBERT.LIU	YA WEN.Wu	A4	A	CF CARD HEADER	60335026