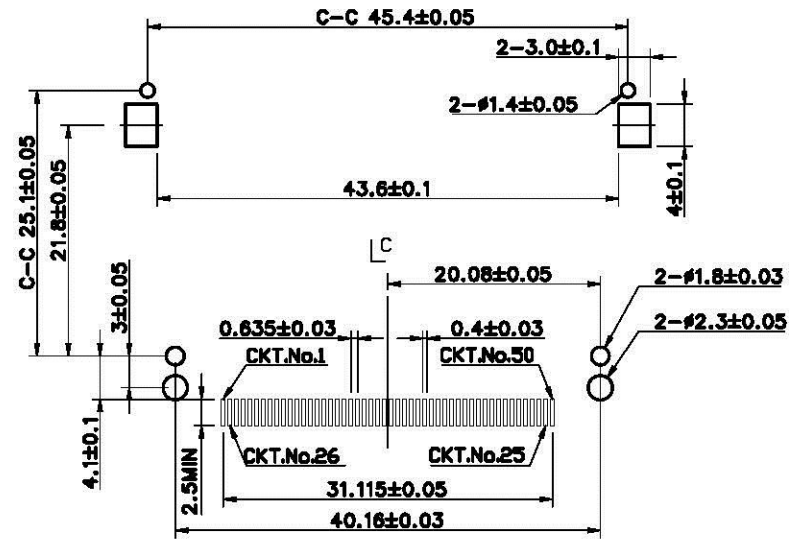
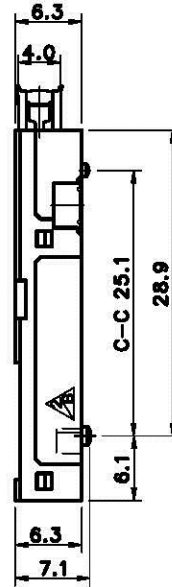
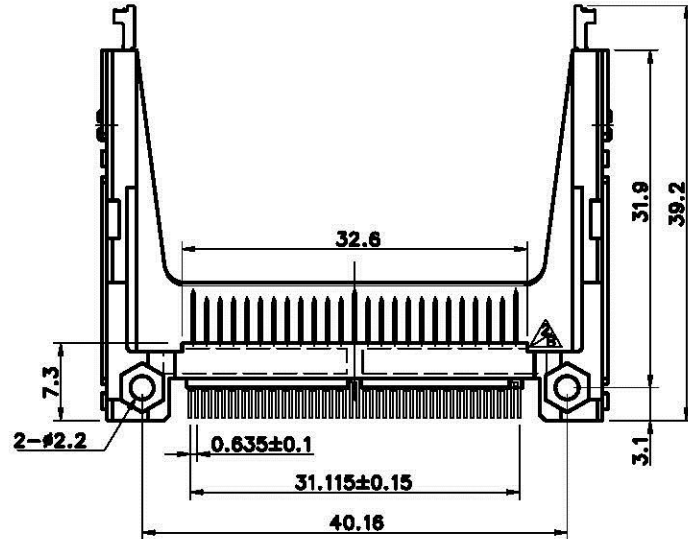
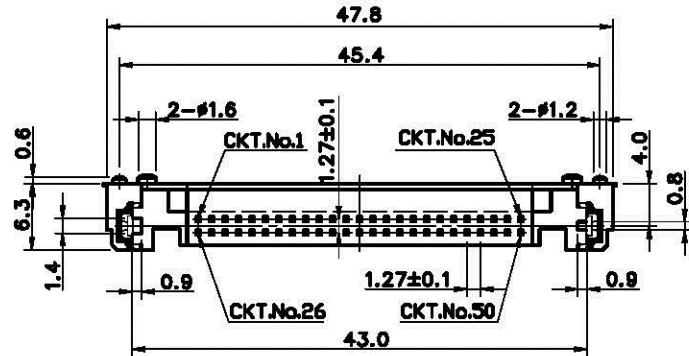
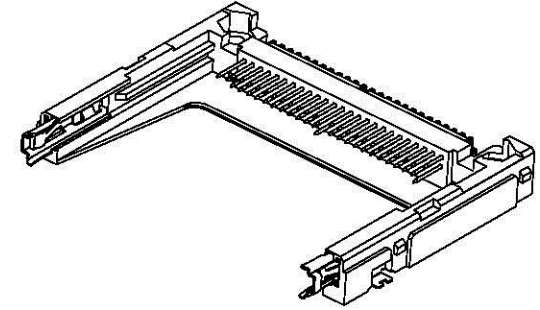


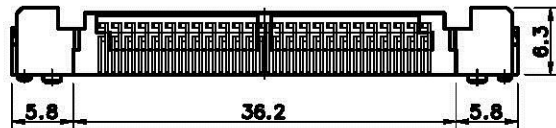
ORDERING INFORMATION

SERIES NO.	TYPE	HEADER TYPE	STAND OFF HEIGHT	CONTACT PLATING	ATTACHMENT
60	3	35	0	2	0
	3: MALE HEADER SMT Lead Free	01: TYPE I A 02: TYPE I AR 03: TYPE I B 04: TYPE I BR 08: TYPE II A 10: TYPE II AR 11: TYPE II B 12: TYPE II BR 35: TYPE II BORS	0: STAND OFF=0.0mm 2: STAND OFF=2.20mm	2: 5u" GOLD SELECTIVE OVER NICKEL PLATING	0: #0 WITHOUT NUTS 1: #0 WITH NUTS

NOTES:
MATERIAL
 Insulator: Glass Reinforced LCP UL94V-0
 Contacts: Brass Alloy
 Mount ear: Brass ; Tin plated overall
CONTACT PLATING
 Contact area: Gold plating over 40u" Nickel
 Solder tail area: 100u" tin plating over 40u" Nickel



RECOMMENDED P.C.B. LAYOUT



ECN 1020701 RELEASE REV. DESCRIPTION (ECN No)	CMC AL 2013.Jul.15 AC AL 10/17/02 DR. CHK. DATE	GENERAL TOLERANCE		Allconnectors www.allconnectors.de tel.: 0049 431 400300 fax: 0049 431 4003041 Kettnerstr. 20	APPROVED ALBERT.LIU 10/17/02	TITLE: CF CARD HEADER SMT 50P TYPE II (BORS) PART NO: 60335020 (Lead Free) REVISE ONLY ON CAD SYSTEM
		DIMENSION	ANGLES		CHECKED ALBERT.LIU 10/17/02	
		0.0 ±0.5	0° ±5°		DRAWN YA WEN .Wu 10/17/02	
		.00 ±0.2	UNIT: mm		SIZE A4 REV. B	
SCALE: N.S.T						