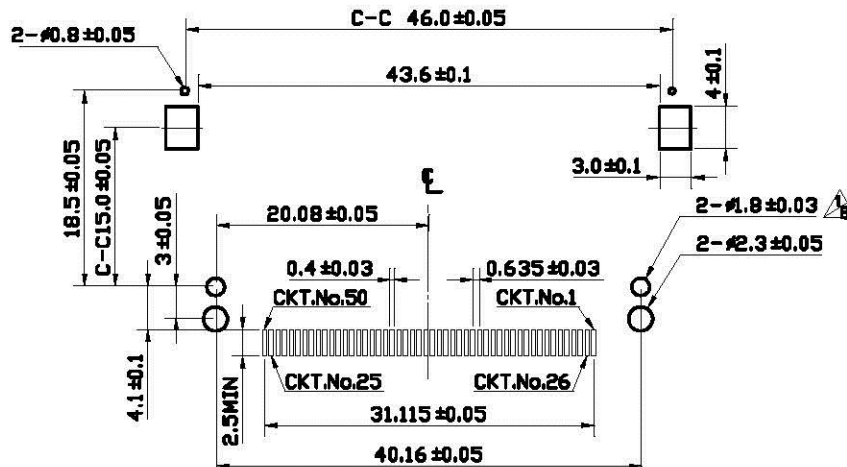
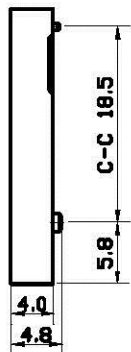
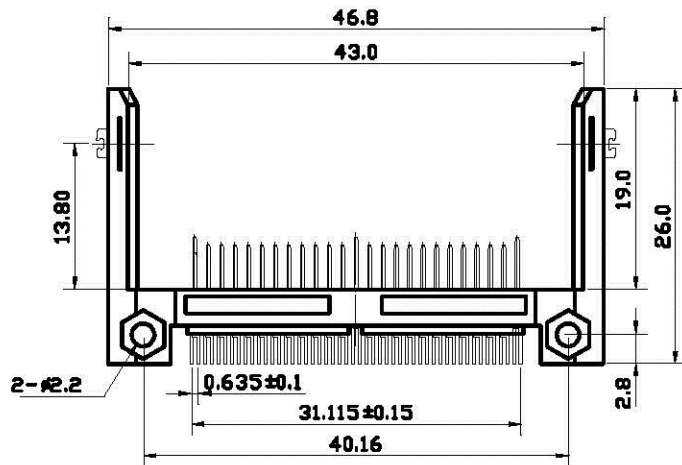
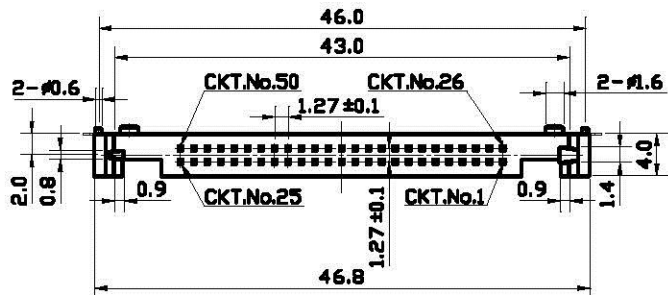
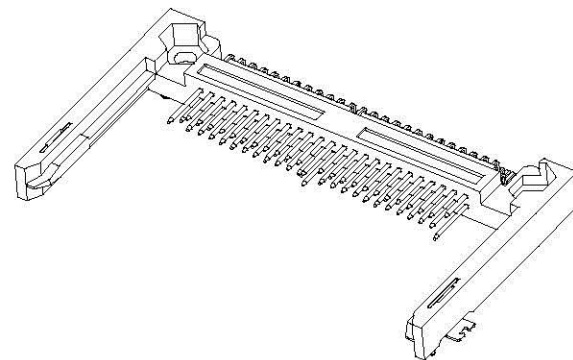


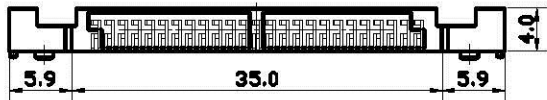
### ORDERING INFORMATION

SERIES NO.	TYPE	HEADER TYPE	STAND OFF HEIGHT	CONTACT PLATING	ATTACHMENT
60	3	32	0	2	0
3: MALE HEADER SMT Lead Free		01: TYPE I A 02: TYPE I AR 03: TYPE I B 04: TYPE I BR 08: TYPE II A 11: TYPE II B 31: TYPE I BOR 32: TYPE I BO 33: TYPE I BL	0: STAND OFF=0.0mm	2: 5u" GOLD SELECTIVE OVER NICKEL PLATING	0: ## WITHOUT NUTS 1: ## WITH NUTS

**NOTES:**  
**MATERIAL**  
 Insulator: Glass Reinforced LCP UL94V-0  
 Contacts: Brass Alloy  
 Mount ear: Brass ; Tin plated overall  
**CONTACT PLATING**  
 Contact area: Gold plating over 40u" Nickel  
 Solder tail area: 100u" tin plating over 40u" Nickel



RECOMMENDED P.C.B. LAYOUT



A B A REV.	ECN 960101 RELEASE	AL AL CHK.	01/08/07 06/01/01 DATE	GENERAL TOLERANCE DIMENSION 0.0 ±0.5 .0 ±0.3 .00 ±0.2 SCALE: N.S.T	ANGLES 0° ±5° UNIT: mm	APPROVED ALBERT.LIU 06/01/01 CHECKED ALBERT.LIU 06/01/01 DRAWN YA WEN .Wu 06/01/01	TITLE: CF CARD HEADER SMT 50P TYPE I (30) PART.NO: 60332020 (Lead Free) REVISE ONLY ON CAD SYSTEM
	DESCRIPTION(ECN No)		DATE	SCALE: N.S.T	UNIT: mm	SIZE A4 REV. B	REVISE ONLY ON CAD SYSTEM
	DESCRIPTION(ECN No)		DATE	SCALE: N.S.T	UNIT: mm	SIZE A4 REV. B	REVISE ONLY ON CAD SYSTEM
	DESCRIPTION(ECN No)		DATE	SCALE: N.S.T	UNIT: mm	SIZE A4 REV. B	REVISE ONLY ON CAD SYSTEM

**SUNLIT**  
 PRECISION TECHNOLOGY CO., LTD.