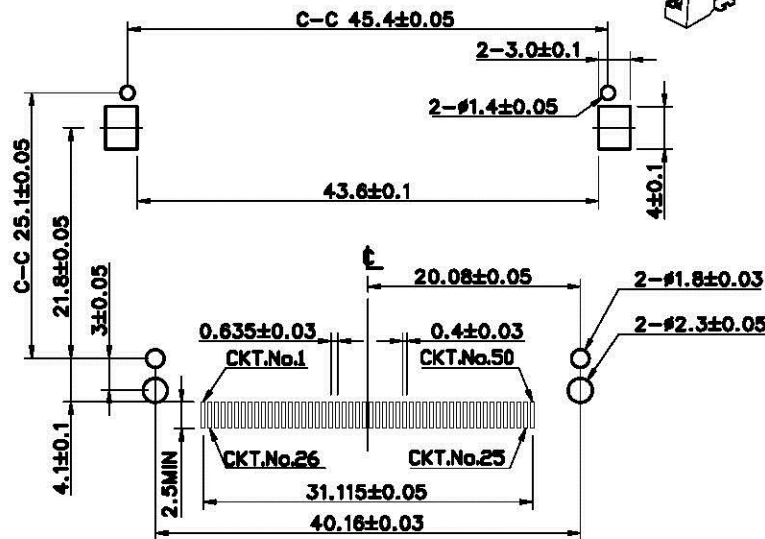
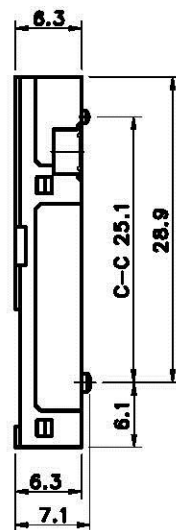
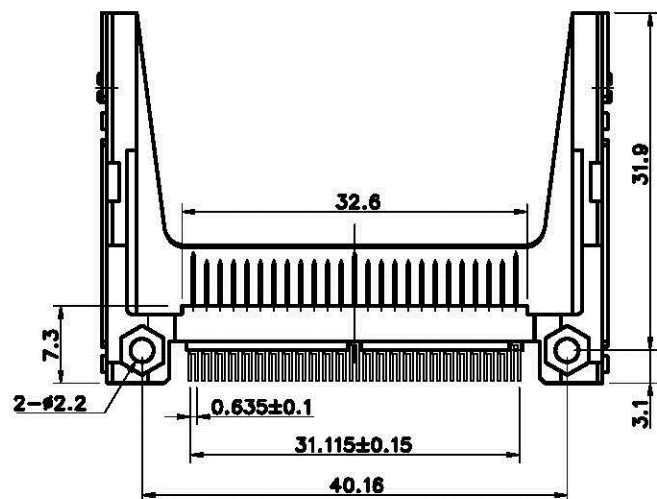
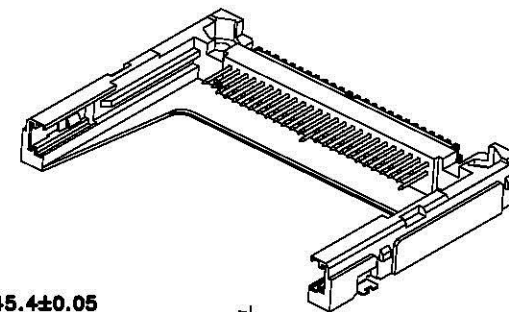


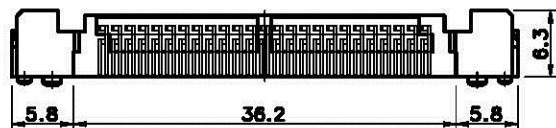
### ORDERING INFORMATION

SERIES NO.	TYPE	HEADER TYPE	STAND OFF HEIGHT	CONTACT PLATING	ATTACHMENT
60	3	30	0	2	0
	3: MALE HEADER SMT Lead Free	01: TYPE I A 02: TYPE I AR 03: TYPE I B 04: TYPE I BR 08: TYPE II A 10: TYPE II AR 11: TYPE II B 12: TYPE II BR 30: TYPE II BORen NonClip	0: STAND OFF=0.0mm 2: STAND OFF=2.20mm	2: 5u" GOLD SELECTIVE OVER NICKEL PLATING	0: #0 WITHOUT NUTS 1: #0 WITH NUTS

NOTES:  
 MATERIAL  
 Insulator: Glass Reinforced LCP UL94V-0  
 Contacts: Brass Alloy  
 Mount ear: Brass ; Tin plated overall  
 CONTACT PLATING  
 Contact area: Gold plating over 40u" Nickel  
 Solder tail area: 100u" tin plating over 40u" Nickel



RECOMMENDED P.C.B. LAYOUT



REV.	DESCRIPTION (ECN No)	DR.	CHK.	DATE	SCALE	UNIT	APPROVED	CHECKED	DRAWN	SIZE	REV.	TITLE
	RELEASE	SC.	AL	05/17/06	N.S.T	mm	ALBERT.LIU 05/17/06	ALBERT.LIU 05/17/06	Soya. Cheng 05/17/06	A4	A	CF CARD HEADER SMT 50P TYPE II (BORen) Non Clip PART NO: 60330020 (Lead Free) REVISE ONLY ON CAD SYSTEM

**All Connectors**

www.allconnectors.de  
 TEL: 0049 711 7979501  
 70734 Ulmerstadt - Germany  
 info@allconnectors.de  
 Fax: 0049 711 7979504  
 kemp@allconnectors.de