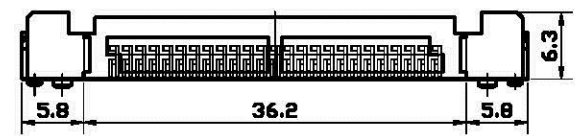
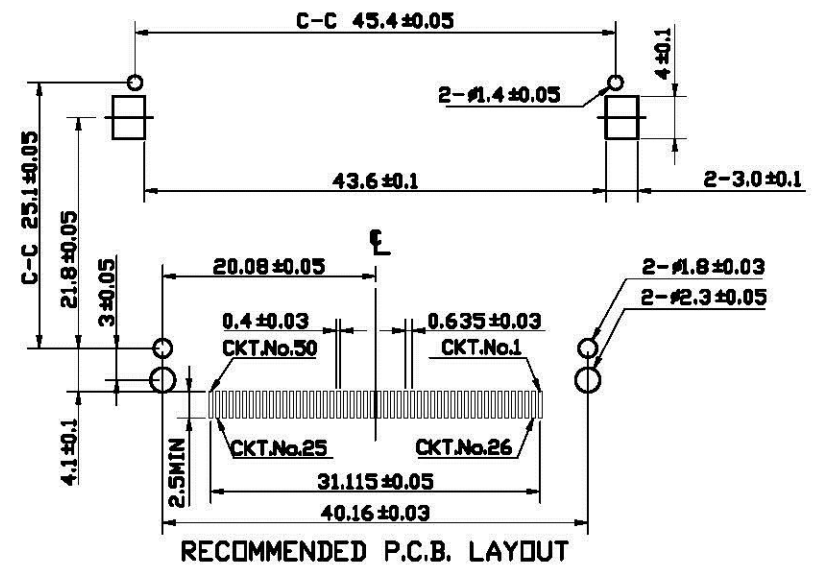
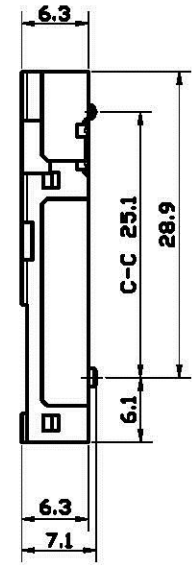
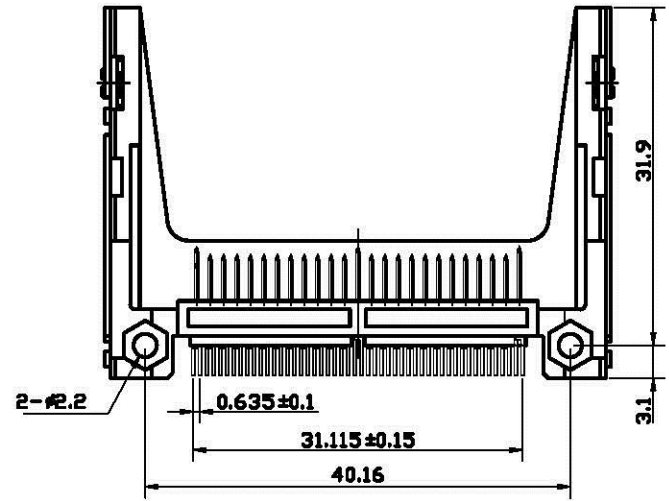
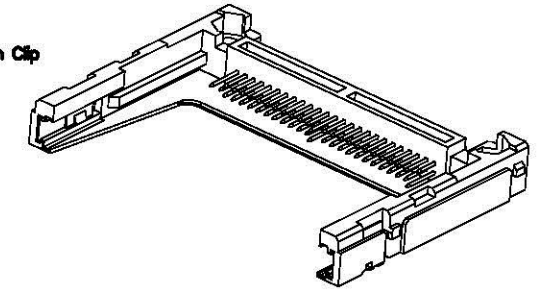


ORDERING INFORMATION

SERIES NO.	TYPE	HEADER TYPE	STAND OFF HEIGHT	CONTACT PLATING	ATTACHMENT
60	3	29	0	2	0
	3: MALE HEADER SMT Lead Free	01: TYPE I A 02: TYPE I AR 03: TYPE I B 04: TYPE I BR 08: TYPE II A 10: TYPE II AR 11: TYPE II BO 12: TYPE II BR 29: TYPE II BO n Non Clip	0: STAND OFF=0.0mm 2: STAND OFF=2.20mm	2: 5u" GOLD SELECTIVE OVER NICKEL PLATING	0: #B WITHOUT NUTS 1: #B WITH NUTS

NOTES:
MATERIAL
 Insulator: Glass Reinforced LCP UL94V-0
 Contacts: Brass Alloy
 Mount ear: Brass ; Tin plated overall
CONTACT PLATING
 Contact area: Gold plating over 40u" Nickel
 Solder tail area: 100u" tin plating over 40u" Nickel



		RELEASE		DR.	CHK.	DATE 02/18/'00	SCALE: N.S.T	UNIT: mm	GENERAL TOLERANCE DIMENSION: 0. ±0.5, .0 ±0.3, .00 ±0.2 ANGLES: 0°. ±3°	All Connectors www.allconnectors.de Tel.: 0049 710 7076570 Fax: 0049 710 7076574 Kettnerstr. 25	APPROVED ALBERT.LIU 02/18/'00 CHECKED ALBERT.LIU 02/18/'00 DRAWN YA WEN.WU 02/18/'00	TITLE: CF CARD HEADER SMT 50P TYPE II (BO n) Non Clip PART.NO: 60329020 (Lead Free) REVISE ONLY ON CAD SYSTEM	
REV.	DESCRIPTION (ECN No)	DR.	CHK.	DATE	SCALE:	UNIT:						SIZE A4 REV. A	