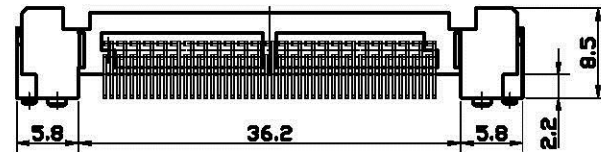
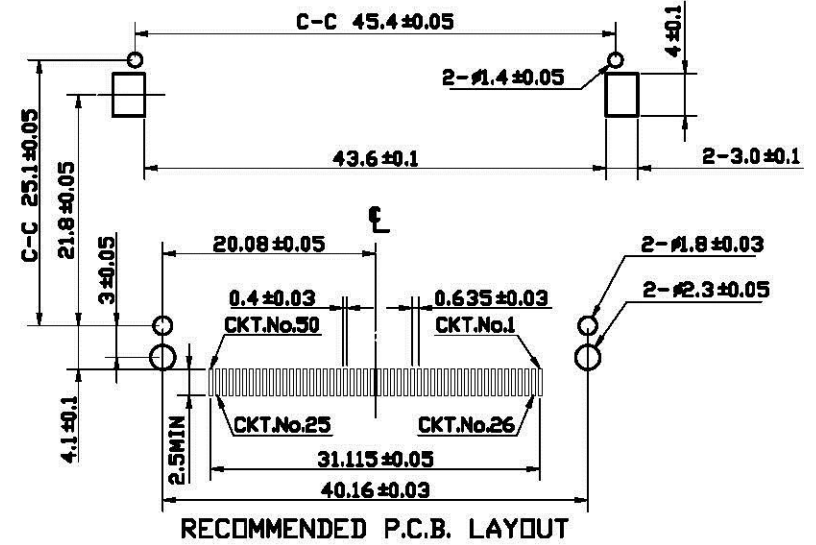
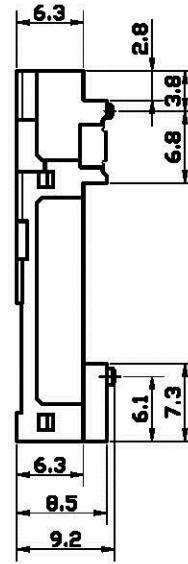
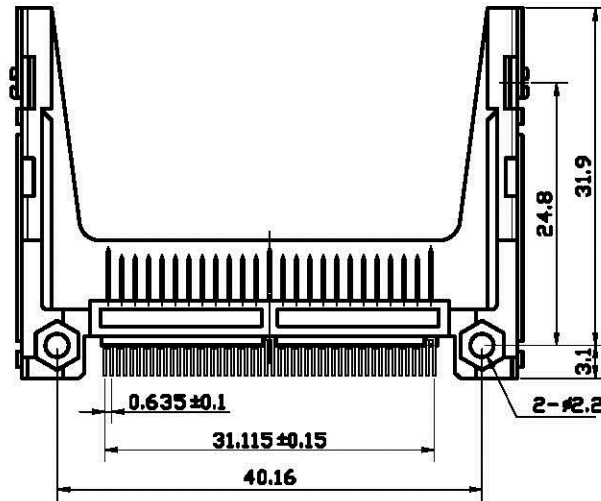
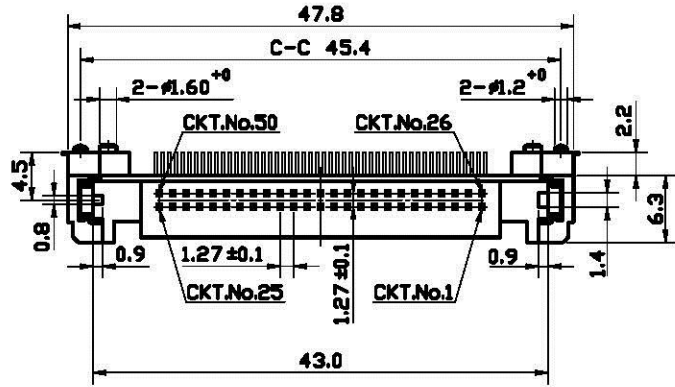
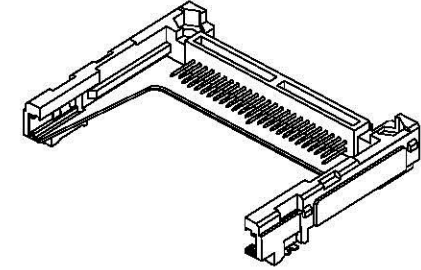


### ORDERING INFORMATION

| SERIES NO.                      | TYPE | HEADER TYPE   | STAND OFF HEIGHT                          | CONTACT PLATING                              | ATTACHMENT                            |
|---------------------------------|------|---|---|--|---------------------------------------|
| 60                              | 3    | 28  | 2   | 2  | 0                                     |
| 3: MALE HEADER<br>SMT Lead Free |      | 01: TYPE I A<br>02: TYPE I AR<br>03: TYPE I B<br>04: TYPE I BR<br>08: TYPE II A<br>11: TYPE II B<br>12: TYPE II BR<br>28: TYPE II Bn Non Clip | 0: STAND OFF=0.0mm<br>2: STAND OFF=2.20mm | 2: 5u" GOLD SELECTIVE<br>OVER NICKEL PLATING | 0: #B WITHOUT NUTS<br>1: #B WITH NUTS |

**NOTES:**  
**MATERIAL**  
 Insulator: Glass Reinforced LCP UL94V-0  
 Contacts: Brass Alloy  
 Mount ear: Brass ; Tin plated overall  
**CONTACT PLATING**  
 Contact area: Gold plating over 40u" Nickel  
 Solder tail area: 100u" tin plating over 40u" Nickel



|                          |        |          |  |      |   |        |  |  |  |  |
|--------------------------|--------|----------|--|------|---|--------|--|--|--|--|
|                          |        |          | <b>GENERAL TOLERANCE</b><br>DIMENSION: 0.0 ±0.5, ±0.3, ±0.2; .00 ±0.2<br>ANGLES: 0°, ±5°<br>SCALE: N.S.T<br>UNIT: mm |      | <b>All Connectors</b><br>www.allconnectors.de<br>TEL: 0049 711 7001500<br>70794 Filderstadt - Germany |        | APPROVED: ALBERT.LIU 02/18/00<br>CHECKED: ALBERT.LIU 02/18/00<br>DRAWN: ANNE.CHIU 02/18/00 |  | TITLE: CF CARD HEADER (Lead Free)<br>SMT 50P TYPE II (Bn) Non Clip<br>PART NO: 60328220<br>REVISE ONLY ON CAD SYSTEM |  |
| Release ECN 950901 (ICP) | CMC AL | 11/09/06 | DR. CHK.   | DATE | SIZE A4   | REV. A |  |  |  |  |