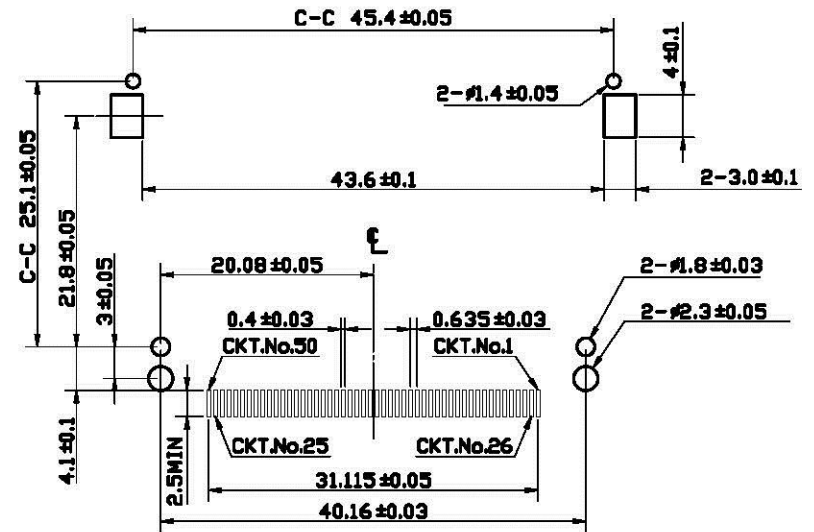
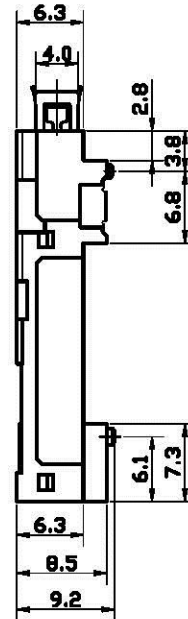
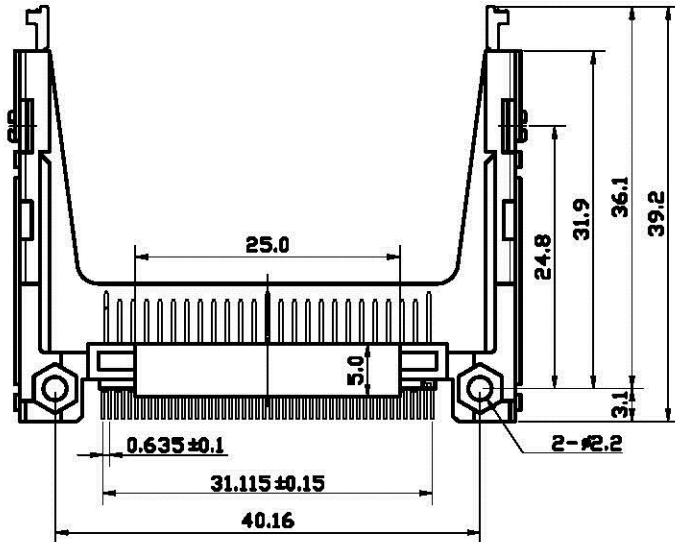
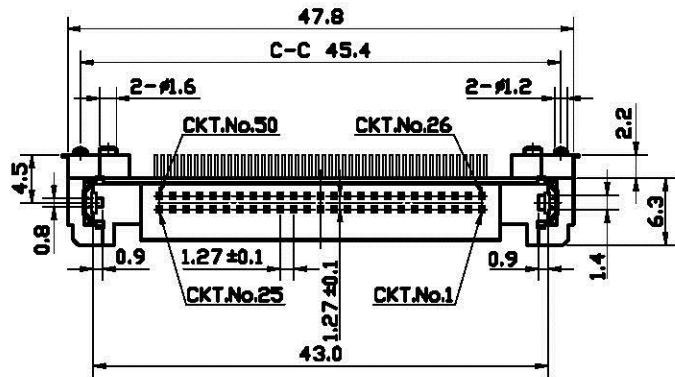
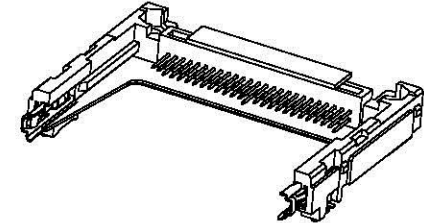


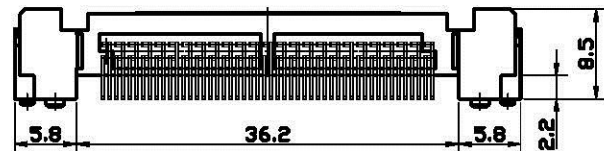
ORDERING INFORMATION

SERIES NO.	TYPE	HEADER TYPE	STAND OFF HEIGHT	CONTACT PLATING	ATTACHMENT
60	3	11	2	2	6
	3: MALE HEADER SMT Lead Free	01: TYPE I A 02: TYPE I AR 03: TYPE I B 04: TYPE I BR 08: TYPE II A 10: TYPE II AR 11: TYPE II B 12: TYPE II BR	0: STAND OFF=0.0mm 2: STAND OFF=2.20mm	2: 5u" GOLD SELECTIVE OVER NICKEL PLATING	0: #B WITHOUT NUTS 1: #B WITH NUTS 6: SOLDER TAPE

NOTES:
MATERIAL
 Insulator: Glass Reinforced LCP UL94V-0
 Contacts: Brass Alloy
 Mount ear: Brass ; Tin plated overall
CONTACT PLATING
 Contact area: Gold plating over 40u" Nickel
 Solder tail area: 100u" tin plating over 40u" Nickel



RECOMMENDED P.C.B. LAYOUT



A	RELEASE	DR.	CHK.	DATE	02/18/00	SCALE:	N.S.T	UNIT:	mm	<p>www.allconnectors.de Tel: 049 711 70503 7034 Floßdorf, Germany</p> <p>Info@allconnectors.de Fax: 049 711 70504 Kottenfuss, 25</p>	APPROVED	ALBERT.LIU 02/18/00	TITLE:	CF CARD HEADER
	REV.	DESCRIPTION (ECN No)	DR.	CHK.	DATE	SCALE:	N.S.T	UNIT:	mm		CHECKED ALBERT.LIU 02/18/00 DRAWN ANNE.CHIU 02/18/00 SIZE A4 REV. A	SMT 50P TYPE II (B) SOLDER TAPE PART NO: 60311226 (Lead Free) REVISE ONLY ON CAD SYSTEM		